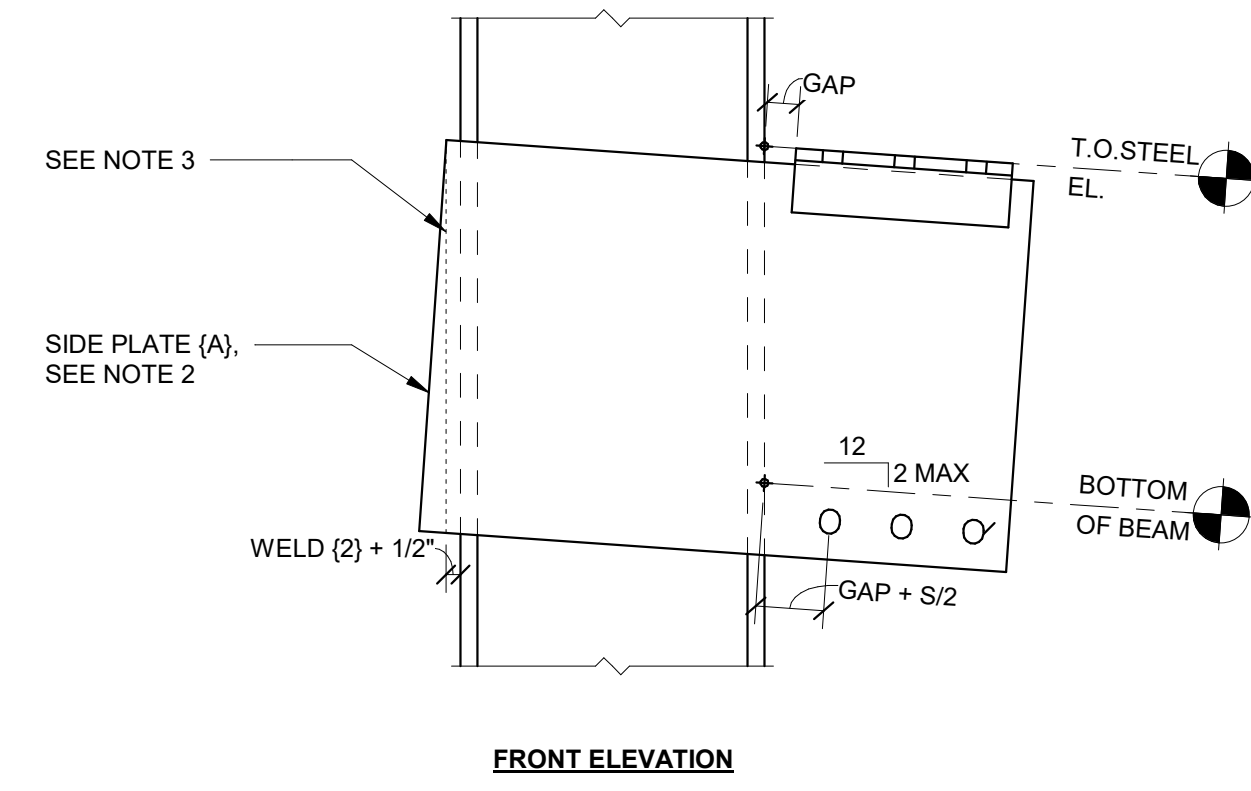


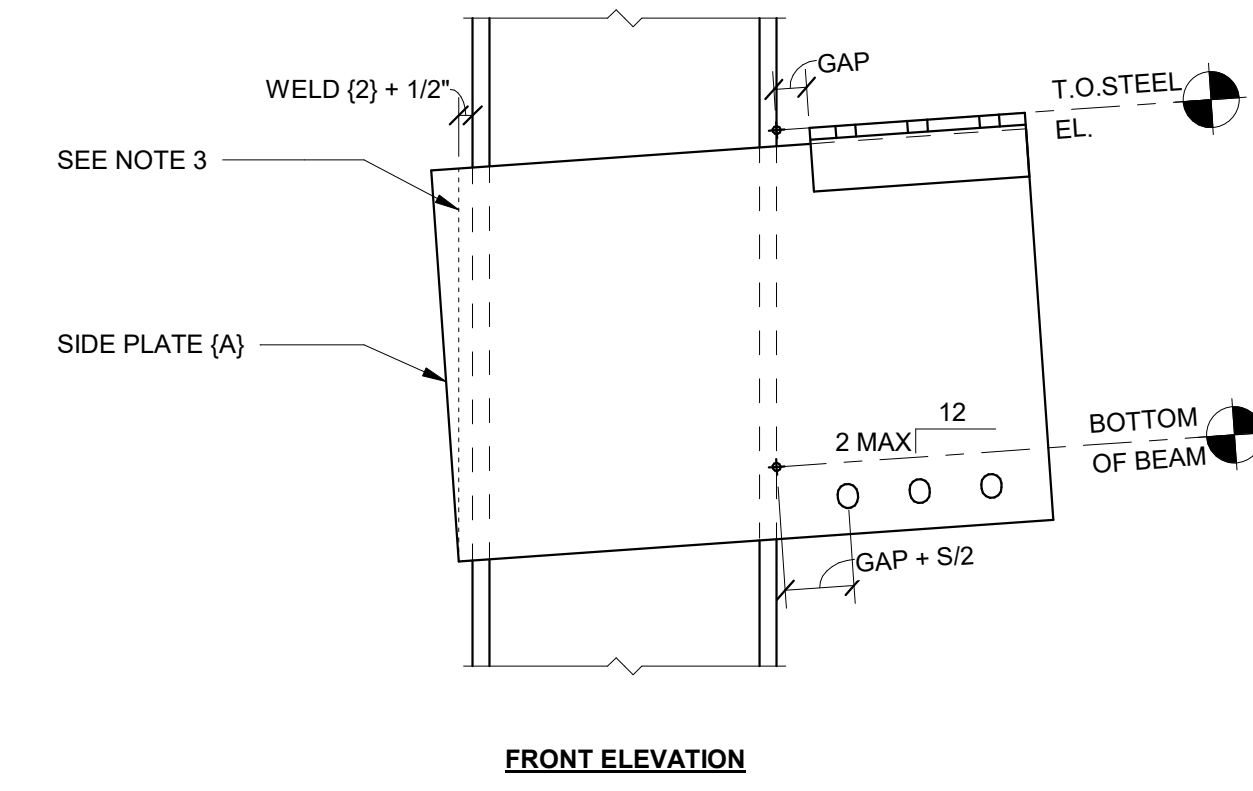
INTELLECTUAL PROPERTY RIGHTS NOTICE
 The SIDEPLATE® steel frame connection system is covered by one or more of U.S. Pat. Nos. 6,138,427; 6,516,583; 6,591,573; 7,178,296; 8,122,671; 8,122,672; 8,146,322; 8,176,706; 8,205,408; and 9,091,065 and foreign counterparts. Other U.S. and foreign applications pending.

SIDEPLATE® is a registered trademark of MiTek Holdings, Inc., an affiliate of SidePlate Systems, Inc.
 Copyright © 2024 SidePlate Systems, Inc. All rights reserved. Without limitation, this drawing and the information hereon may be used only following payment of a license fee to SidePlate Systems, Inc. and for the design, construction, operation, repair, maintenance, restoration or demolition of the building(s) specifically identified.
 v15.09.06



NOTE(S):
 1. FOR BEAM SLOPES GREATER THAN 2 INCHES PER FOOT, CONTACT SIDEPLATE SYSTEMS, INC.
 2. COORDINATE PLATES, ANGLES, AND DIMENSIONS WITH RESPECT TO THE SLOPE OF THE CONNECTION.
 3. AT CONTRACTOR'S DISCRETION, SIDE PLATE (A) MAY BE CUT AS SHOWN.

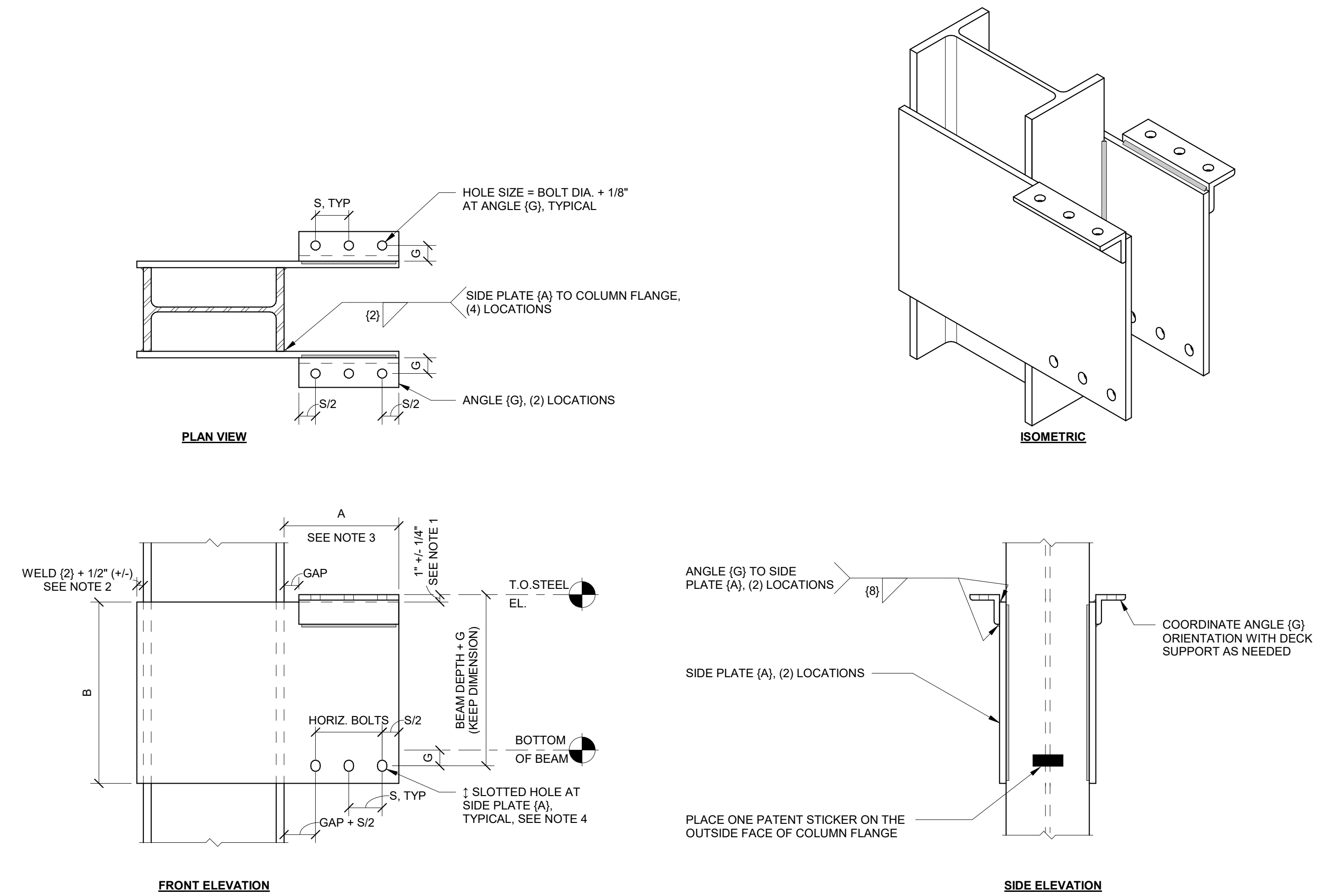
4 SLOPED DOWN CONNECTION (AS APPLICABLE)
 N.T.S.



NOTE(S):
 1. FOR BEAM SLOPES GREATER THAN 2 INCHES PER FOOT, CONTACT SIDEPLATE SYSTEMS, INC.
 2. COORDINATE PLATES, ANGLES, AND DIMENSIONS WITH RESPECT TO THE SLOPE OF THE CONNECTION.
 3. AT CONTRACTOR'S DISCRETION, SIDE PLATE (A) MAY BE CUT AS SHOWN.

3 SLOPED UP CONNECTION (AS APPLICABLE)
 N.T.S.

2 A TYPE COLUMN CONNECTION SCHEDULE
 N.T.S.



NOTE(S):
 1. THE +/- 1/4 INCH TOLERANCE FOR PLACEMENT OF ANGLES (G) IS TO ENSURE CORRECT TOP OF STEEL PLACEMENT RELATIVE TO THE CENTERLINE OF THE BOTTOM HORIZONTAL ROW OF BOLT HOLES. THE PLACEMENT OF ANGLES (G) SHALL NEVER BE MEASURED FROM THE BOTTOM EDGE OF SIDE PLATE (A) TO ESTABLISH THE CORRECT TOP OF STEEL.
 2. THE 1/2 INCH OVERHANG ON THE SIDE PLATE (A) IS TO ENSURE SUFFICIENT ROOM FOR WELD (2). THE +/- TOLERANCE IS APPLIED SO THAT IF DESIRED, THE DETAILER CAN MAKE THE SIDE PLATES (A) THE SAME LENGTH WITH SLIGHTLY VARYING COLUMN DEPTHS WITHIN A GROUP OF THE SAME CONNECTION IDS.
 3. DIMENSION A = GAP + HORIZONTAL BOLTS (S)
 4. SLOTTED HOLE SIZE AS FOLLOWS: 1\"/>

1 A TYPE BOLTED CONNECTION
 N.T.S.

PRELIMINARY DRAWINGS
 NOT FOR CONSTRUCTION



SidePlate Systems, Inc.
 25909 Pala, Suite 200
 Mission Viejo, CA 92691

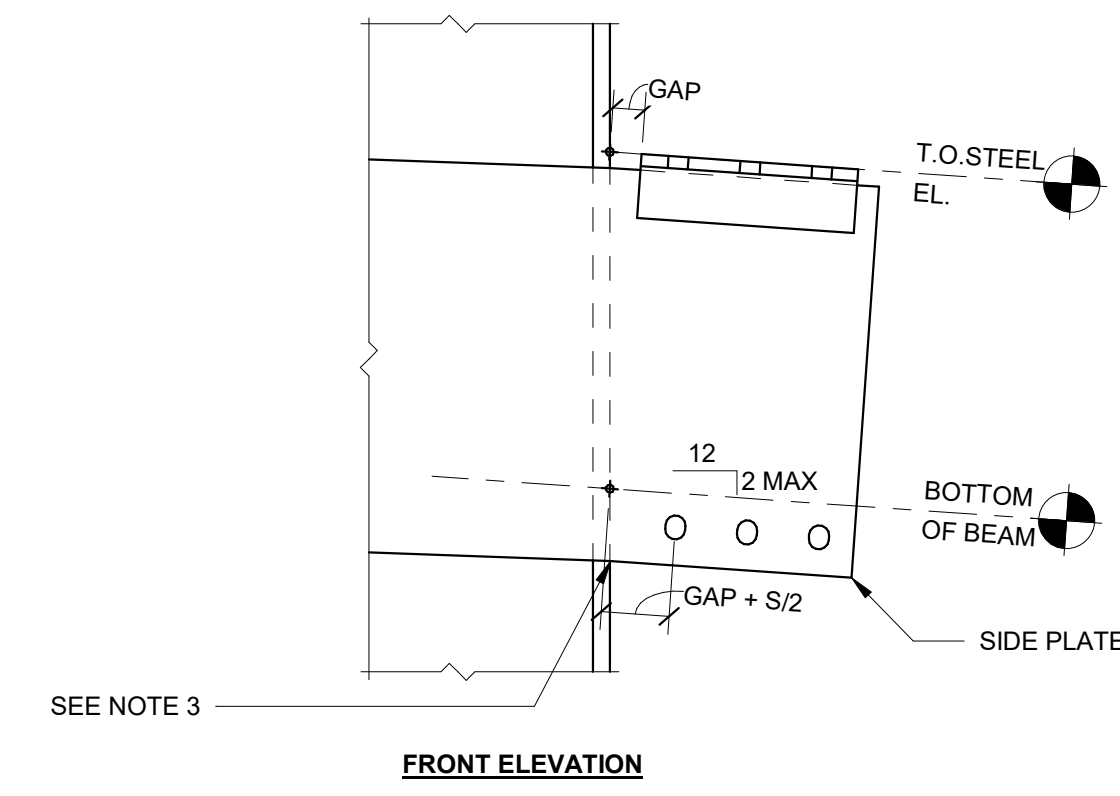
DATE
 05.07.2024

SHEET TITLE

SIDEPLATE COLUMN
 DETAILS, A TYPE

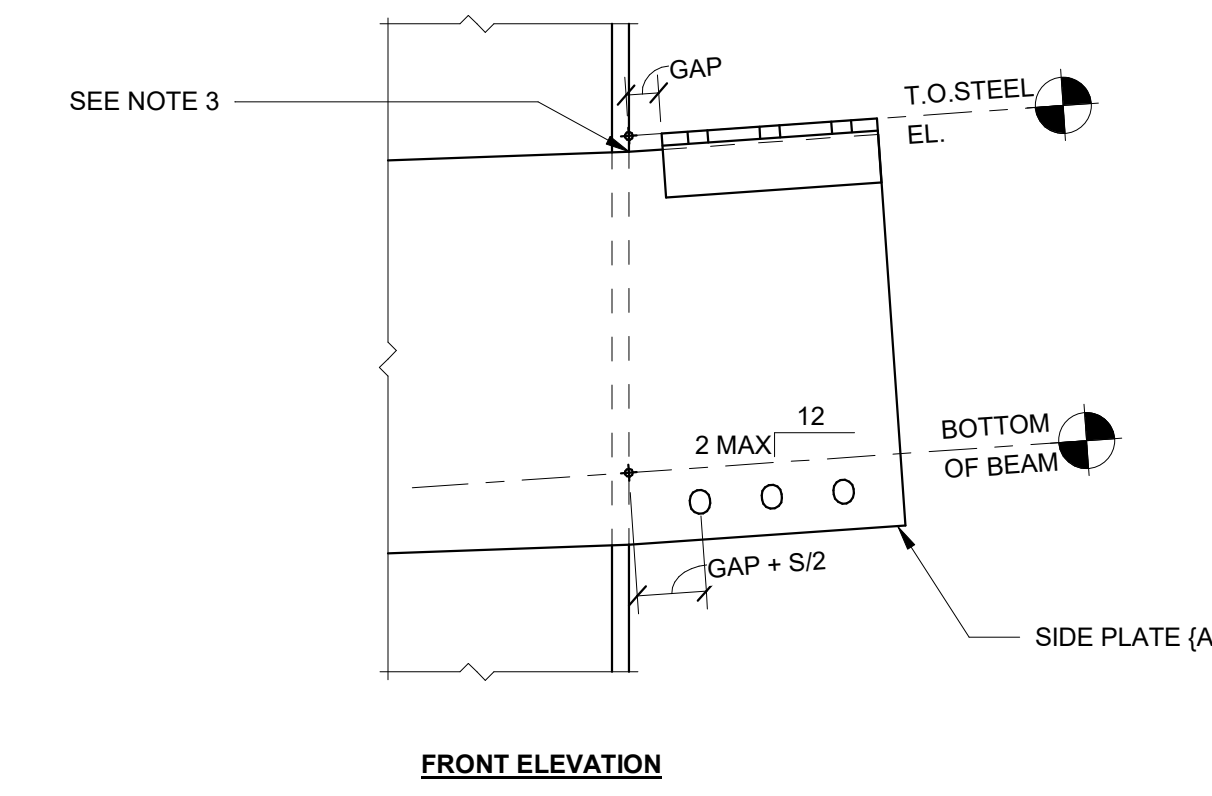
SP101

INTELLECTUAL PROPERTY RIGHTS NOTICE
 The SIDEPLATE® steel frame connection system is covered by one or more of U.S. Pat. Nos. 6,138,427; 6,516,583; 6,591,573; 7,178,296; 8,122,671; 8,122,672; 8,146,322; 8,176,706; 8,205,408; and 9,091,065 and foreign counterparts. Other U.S. and foreign applications pending.
 SIDEPLATE® is a registered trademark of Mitek Holdings, Inc., an affiliate of SidePlate Systems, Inc.
 Copyright © 2024 SidePlate Systems, Inc. All rights reserved. Without limitation, this drawing and the information hereon may be used only following payment of a license fee to SidePlate Systems, Inc. and for the design, construction, operation, repair, maintenance, restoration or demolition of the building(s) specifically identified.
 v15.09.06
 MITEK HOLDINGS, INC.



NOTE(S):
 1. FOR BEAM SLOPES GREATER THAN 2 INCHES PER FOOT, CONTACT SIDEPLATE SYSTEMS, INC.
 2. COORDINATE PLATES, ANGLES, AND DIMENSIONS WITH RESPECT TO THE SLOPE OF THE CONNECTION.
 3. BEGIN SLOPE OF SIDE PLATE AT OUTSIDE FACE OF COLUMN FLANGE. TYPICAL. NOTE THAT SLOPE OF SIDE PLATE WITHIN THE COLUMN EXTENTS MAY NOT MATCH SLOPE OF BEAM.

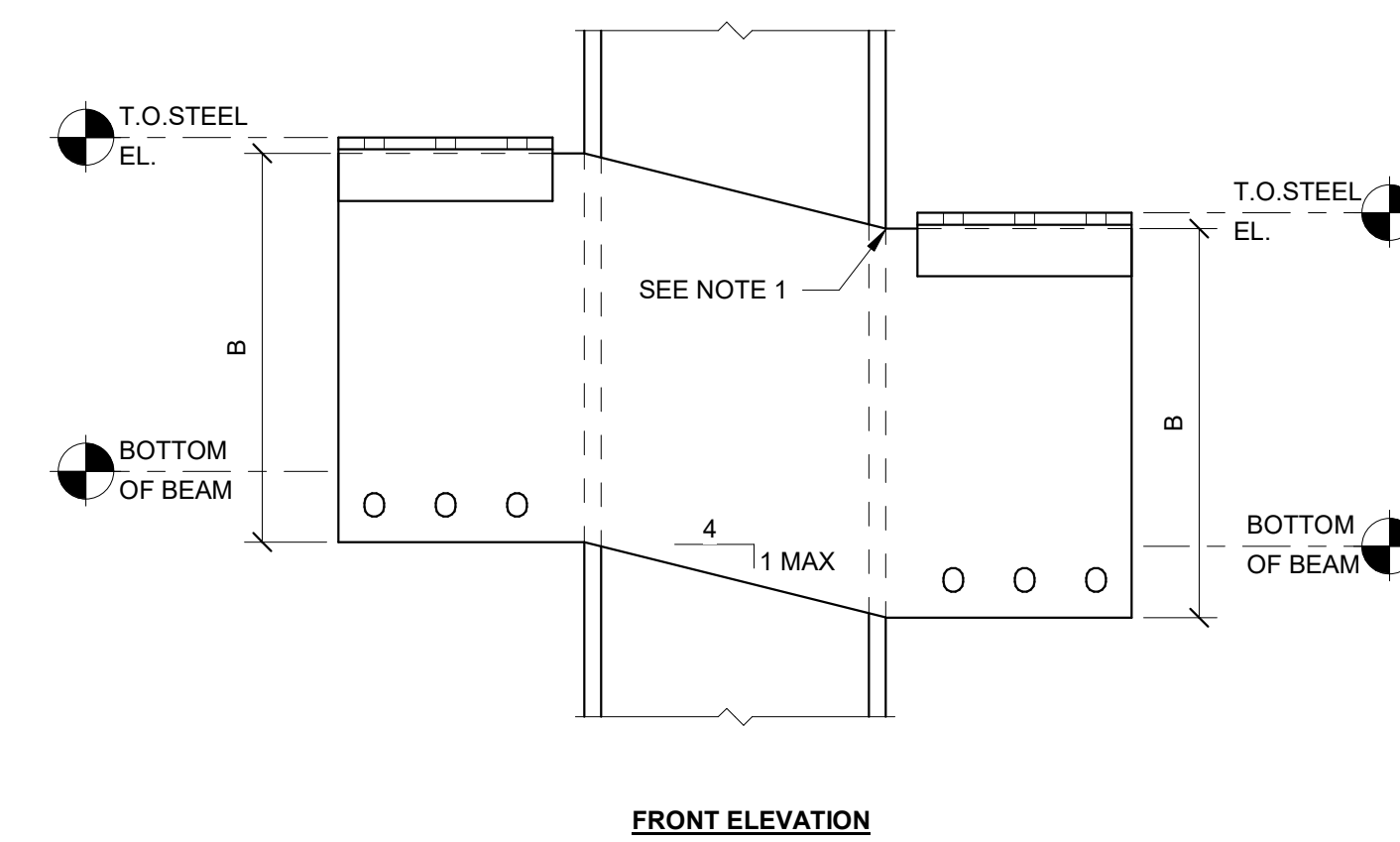
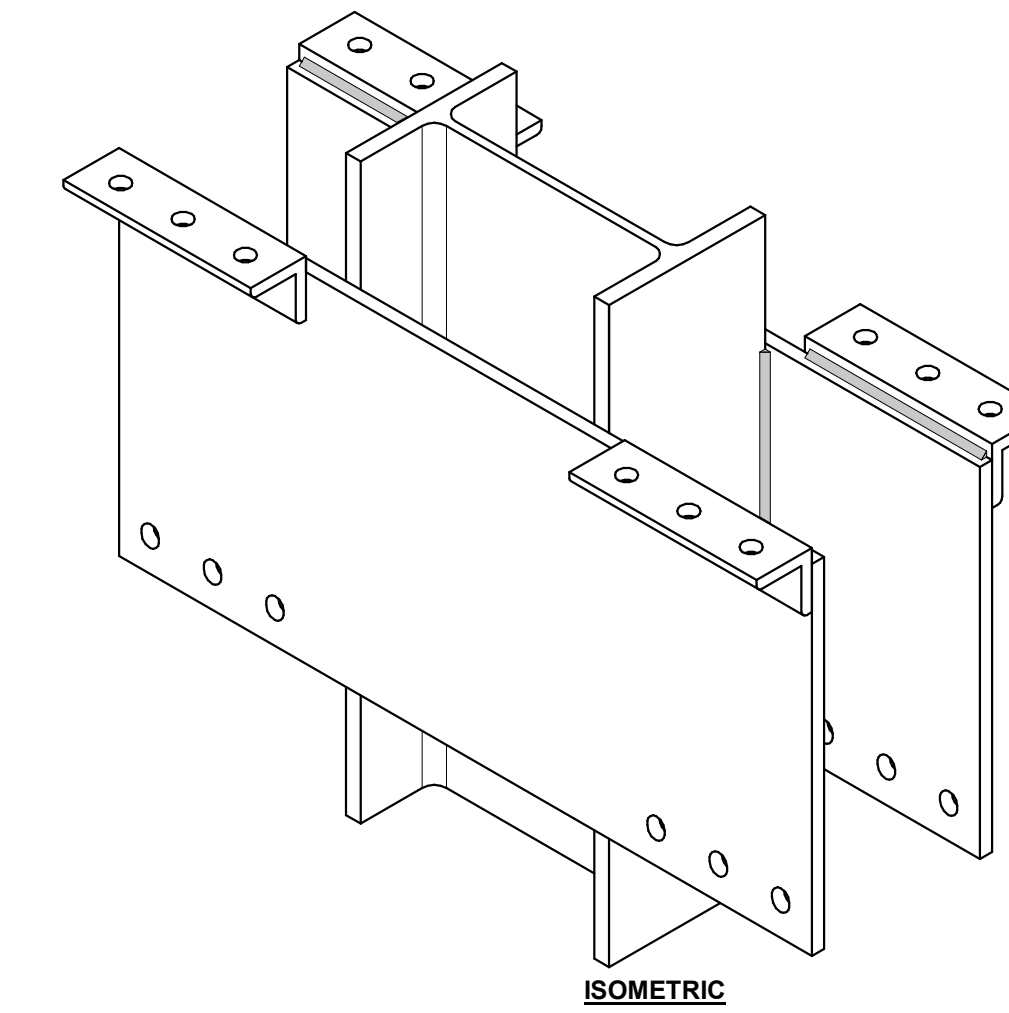
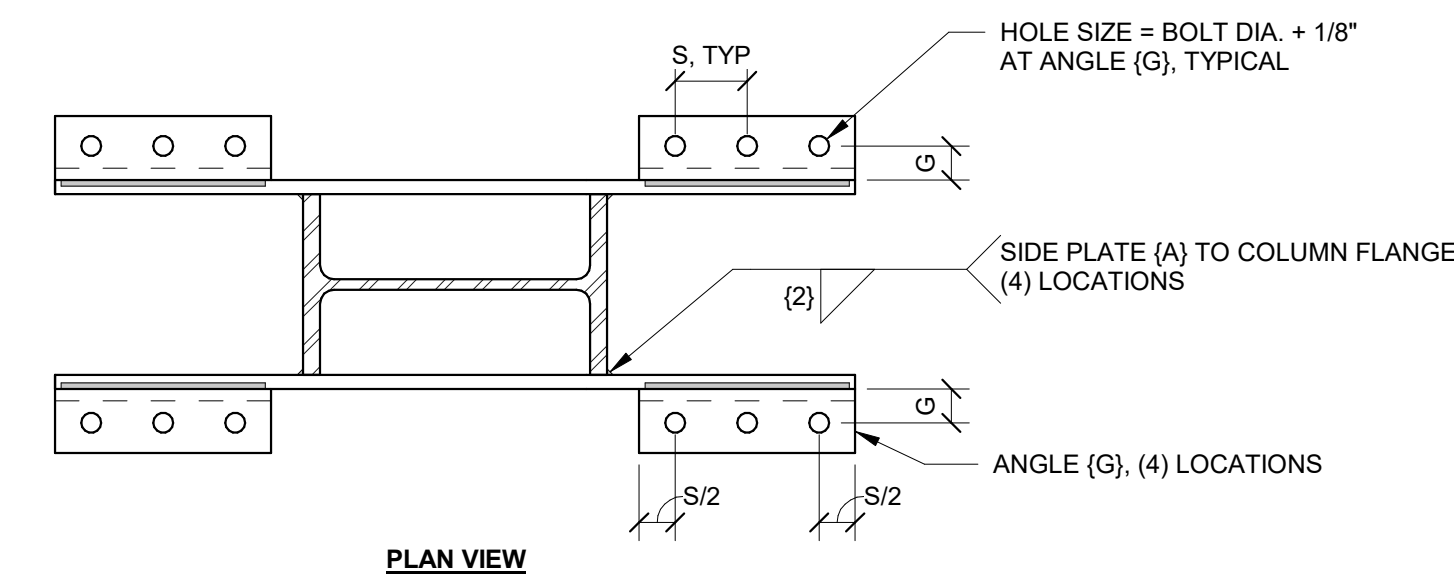
④ SLOPED DOWN CONNECTION (AS APPLICABLE)
 N.T.S.



NOTE(S):
 1. FOR BEAM SLOPES GREATER THAN 2 INCHES PER FOOT, CONTACT SIDEPLATE SYSTEMS, INC.
 2. COORDINATE PLATES, ANGLES, AND DIMENSIONS WITH RESPECT TO THE SLOPE OF THE CONNECTION.
 3. BEGIN SLOPE OF SIDE PLATE AT OUTSIDE FACE OF COLUMN FLANGE. TYPICAL. NOTE THAT SLOPE OF SIDE PLATE WITHIN THE COLUMN EXTENTS MAY NOT MATCH SLOPE OF BEAM.

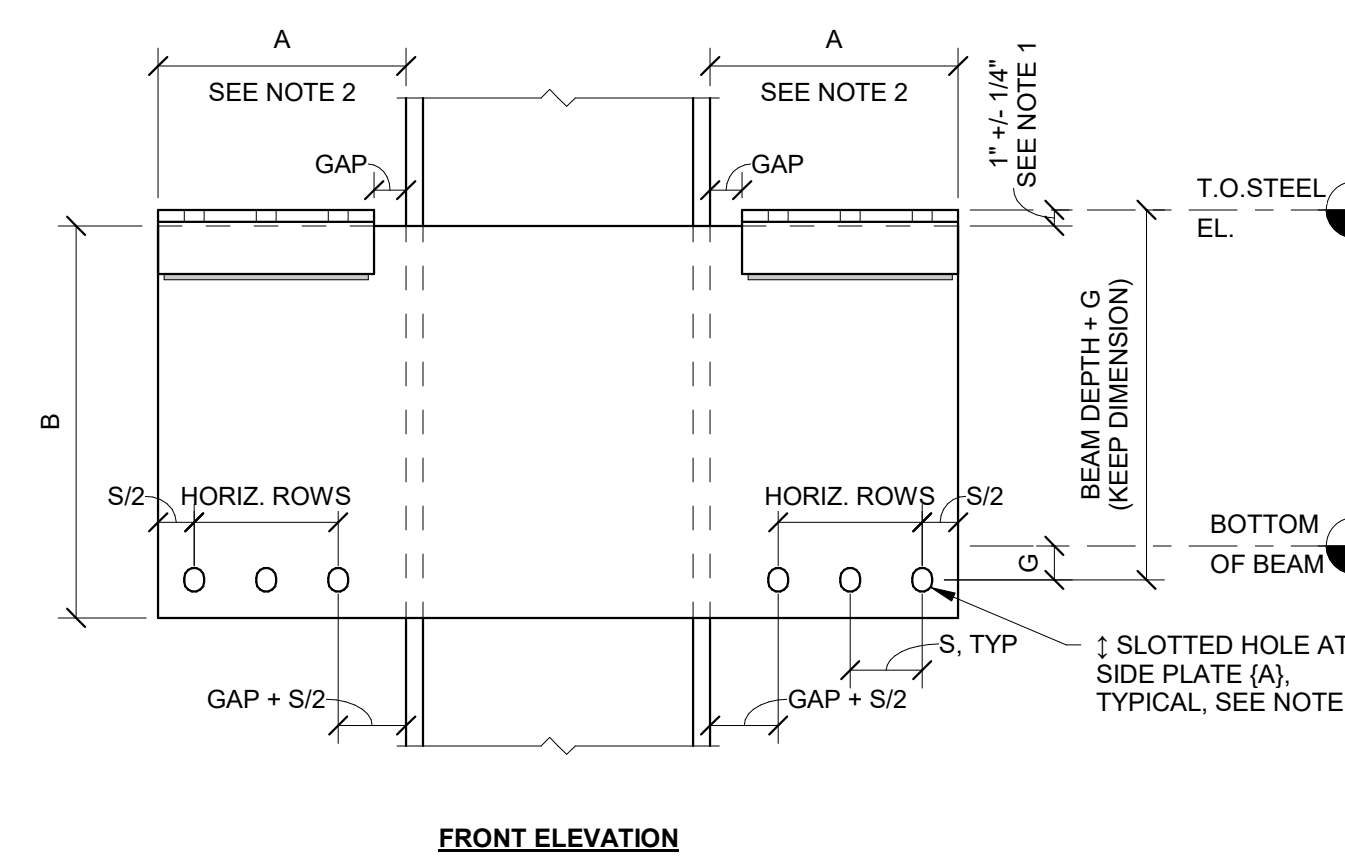
③ SLOPED UP CONNECTION (AS APPLICABLE)
 N.T.S.

② B TYPE COLUMN CONNECTION SCHEDULE
 N.T.S.



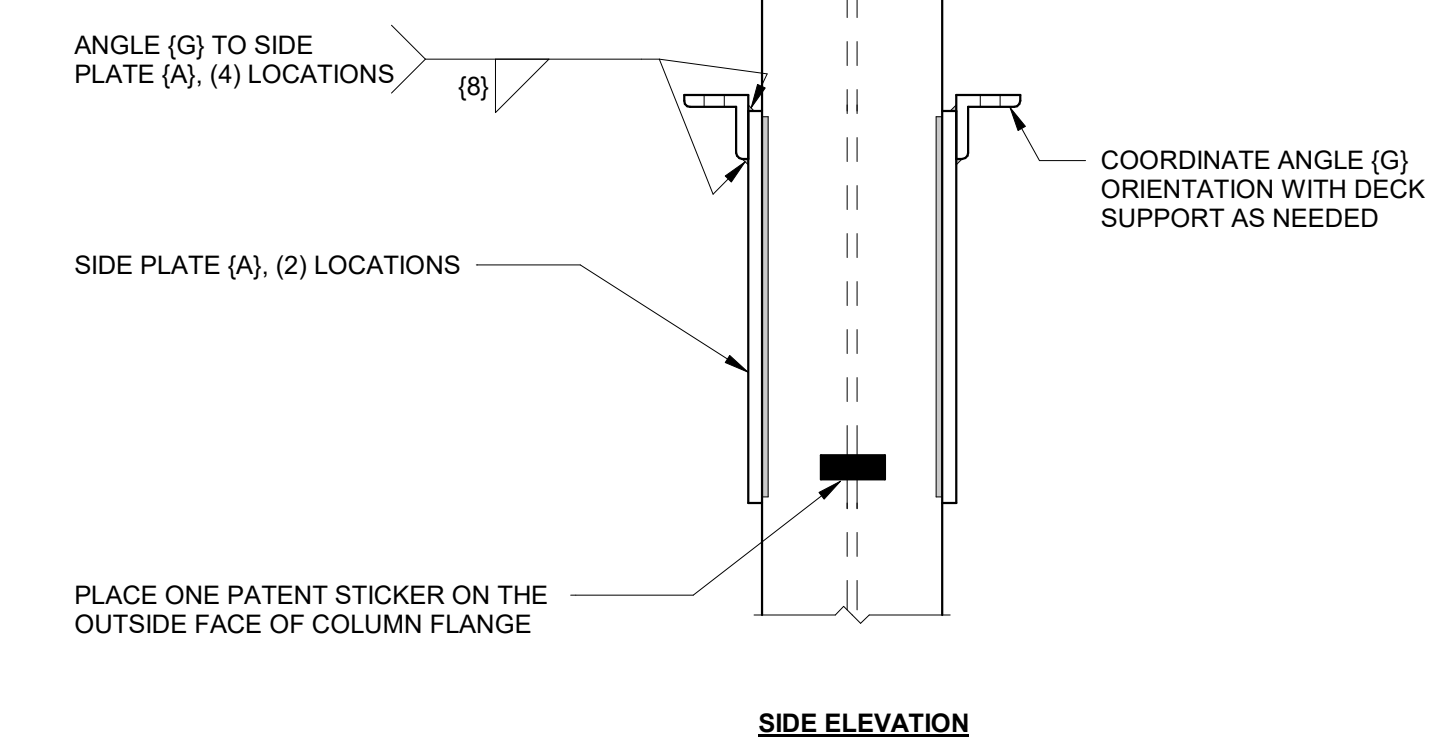
NOTE(S):
 1. BEGIN SLOPE OF SIDE PLATE (A) AT OUTSIDE FACE OF COLUMN FLANGE. TYPICAL.
 2. UNIVERSAL STEP DETAIL MAY BE USED AS AN ALTERNATE. REFER TO DETAIL - / - -

⑤ STEP DETAIL (AS APPLICABLE)
 N.T.S.

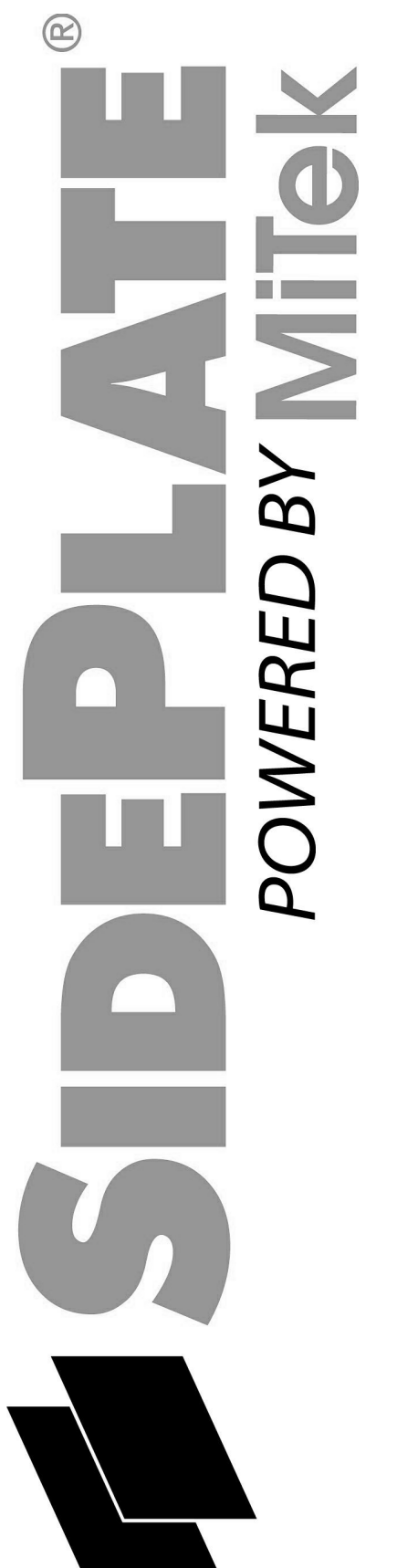


NOTE(S):
 1. THE +/- 1/4 INCH TOLERANCE FOR PLACEMENT OF ANGLES (G) IS TO ENSURE CORRECT TOP OF STEEL PLACEMENT RELATIVE TO THE CENTERLINE OF THE BOTTOM HORIZONTAL ROW OF BOLT HOLES. THE PLACEMENT OF ANGLES (G) SHALL NEVER BE MEASURED FROM THE BOTTOM EDGE OF SIDE PLATE (A) TO ESTABLISH THE CORRECT TOP OF STEEL.
 2. DIMENSION A = GAP + (HORIZONTAL BOLTS)'(S)
 3. SLOTTED HOLE SIZE AS FOLLOWS: 1\"/>

① B TYPE BOLTED CONNECTION
 N.T.S.



PRELIMINARY DRAWINGS
 NOT FOR CONSTRUCTION



SidePlate Systems, Inc.
 25909 Pala, Suite 200
 Mission Viejo, CA 92691

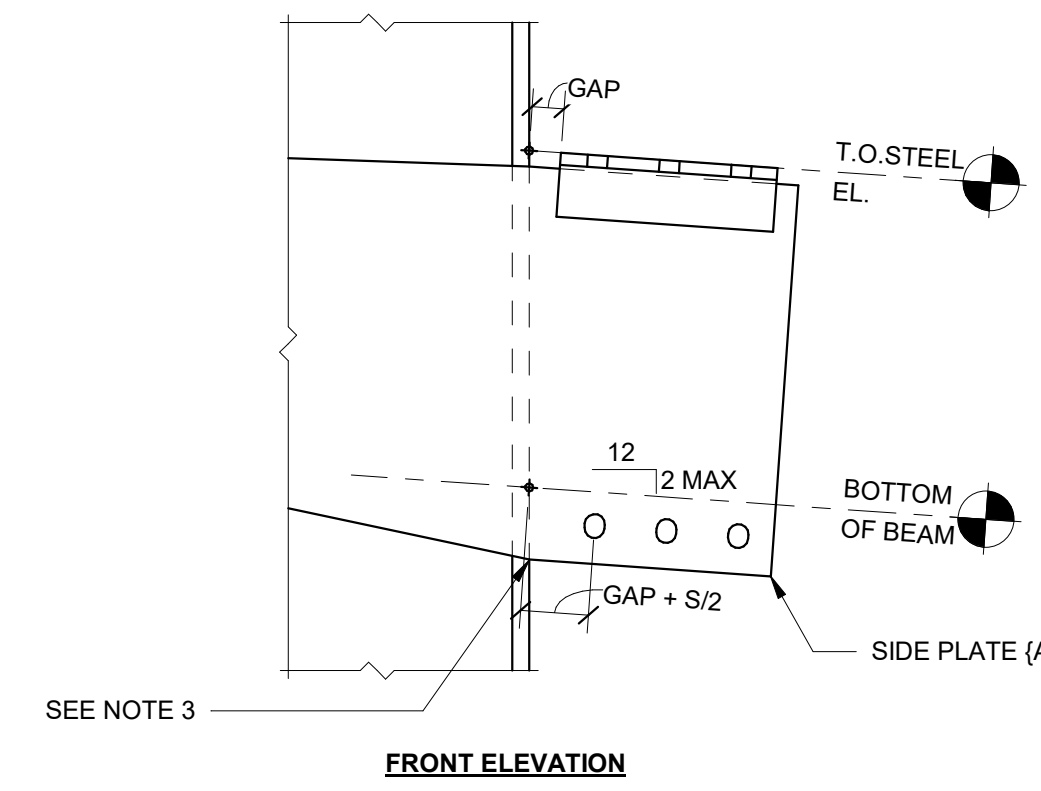
DATE
 05.07.2024

SHEET TITLE

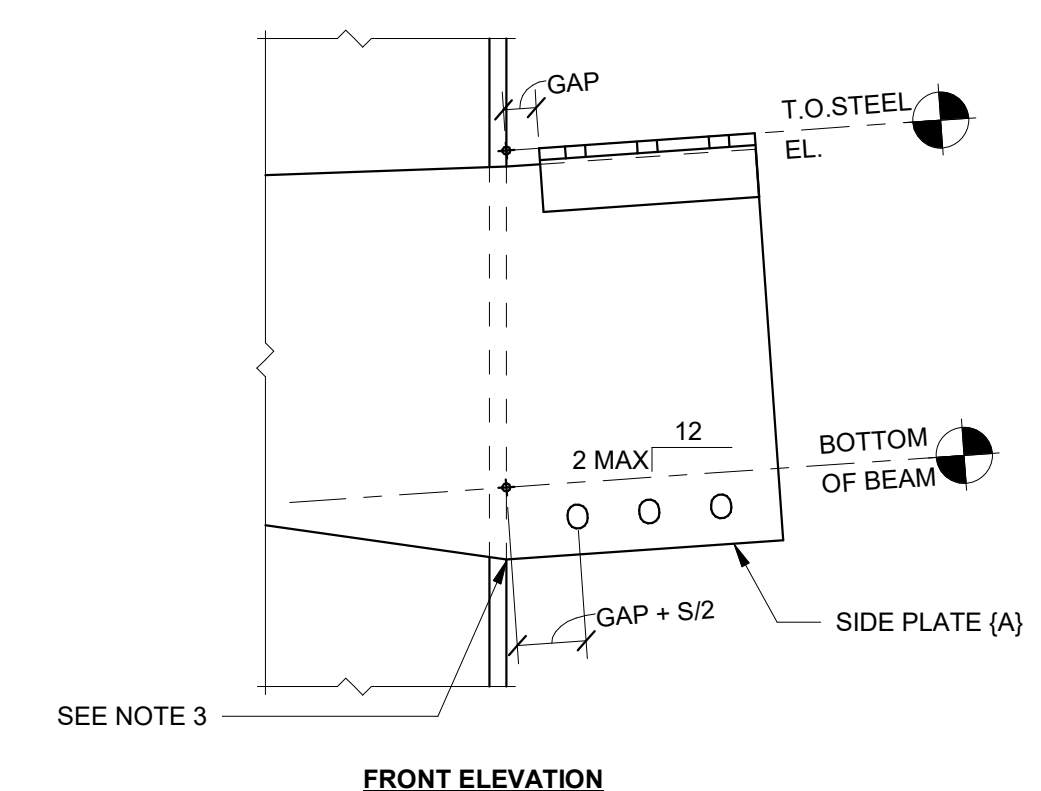
SIDEPLATE COLUMN
 DETAILS, B TYPE

SP102

INTELLECTUAL PROPERTY RIGHTS NOTICE
 The SIDEPLATE® steel frame connection system is covered by one or more of U.S. Pat. Nos. 6,138,427; 6,516,583; 6,591,573; 7,178,296; 8,122,671; 8,122,672; 8,146,322; 8,176,706; 8,205,408; and 9,091,065 and foreign counterparts. Other U.S. and foreign applications pending.
 SIDEPLATE® is a registered trademark of Mitek Holdings, Inc., an affiliate of SidePlate Systems, Inc.
 Copyright © 2024 SidePlate Systems, Inc. All rights reserved. Without limitation, this drawing and the information hereon may be used only following payment of a license fee to SidePlate Systems, Inc. and for the design, construction, operation, repair, maintenance, restoration or demolition of the building(s) specifically identified.
 v15.09.06
 MIP-50125



4 SLOPED DOWN CONNECTION (AS APPLICABLE)
 N.T.S.

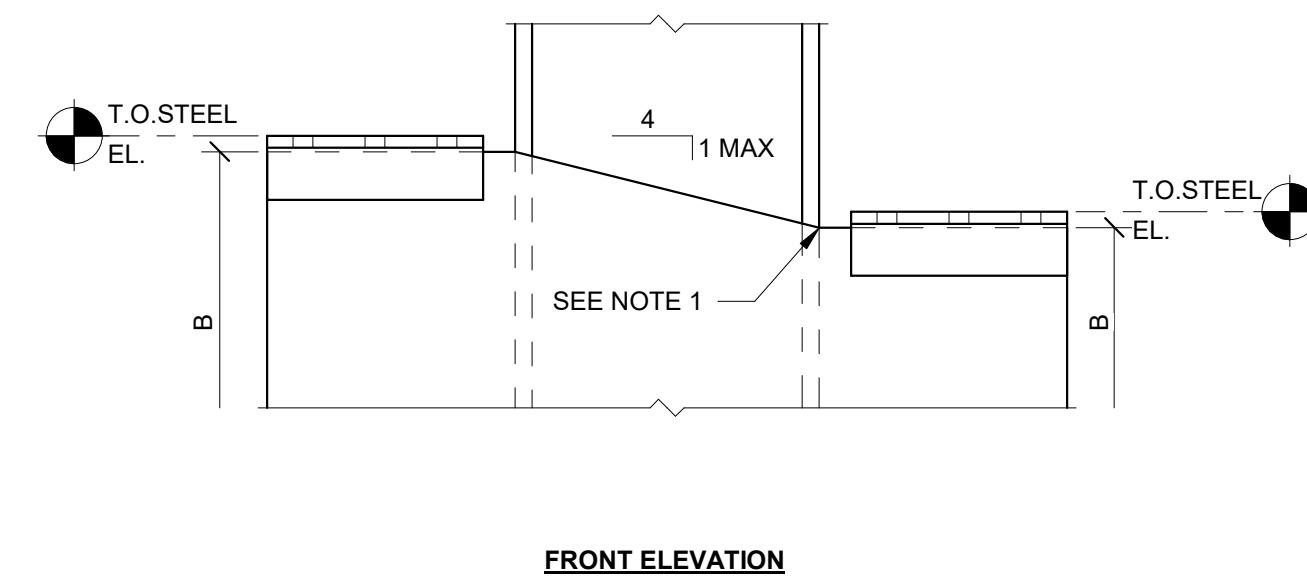


3 SLOPED UP CONNECTION (AS APPLICABLE)
 N.T.S.

NOTE(S):
 1. FOR BEAM SLOPES GREATER THAN 2 INCHES PER FOOT, CONTACT SIDEPLATE SYSTEMS, INC.
 2. COORDINATE PLATES, ANGLES, AND DIMENSIONS WITH RESPECT TO THE SLOPE OF THE CONNECTION.
 3. BEGIN SLOPE OF SIDE PLATE AT OUTSIDE FACE OF COLUMN FLANGE. TYPICAL. NOTE THAT SLOPE OF SIDE PLATE WITHIN THE COLUMN EXTENTS MAY NOT MATCH SLOPE OF BEAM.

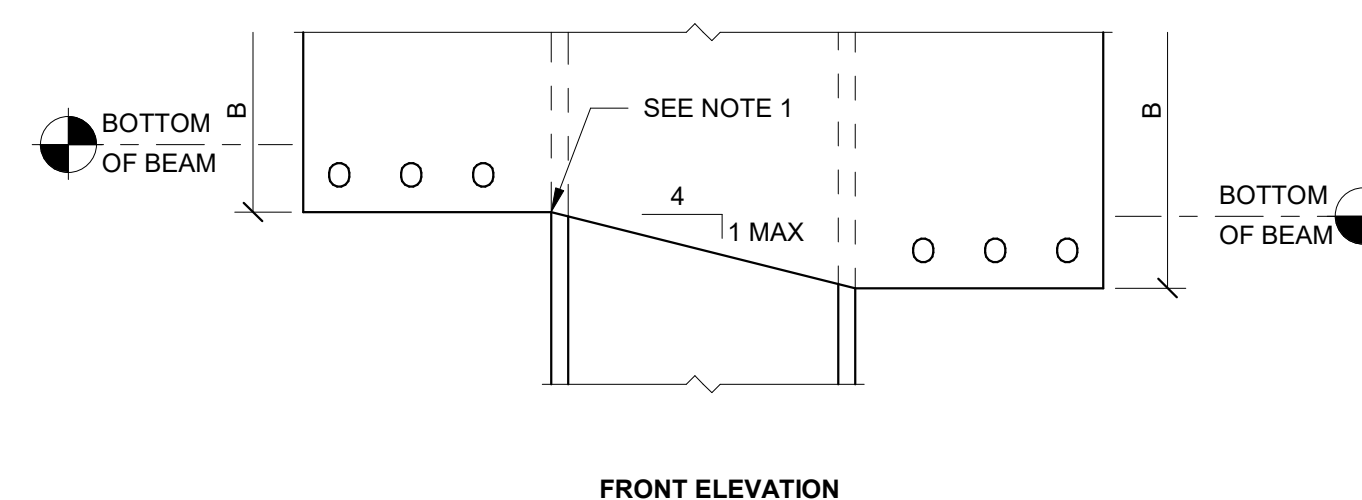
NOTE(S):
 1. FOR BEAM SLOPES GREATER THAN 2 INCHES PER FOOT, CONTACT SIDEPLATE SYSTEMS, INC.
 2. COORDINATE PLATES, ANGLES, AND DIMENSIONS WITH RESPECT TO THE SLOPE OF THE CONNECTION.
 3. BEGIN SLOPE OF SIDE PLATE AT OUTSIDE FACE OF COLUMN FLANGE. TYPICAL. NOTE THAT SLOPE OF SIDE PLATE WITHIN THE COLUMN EXTENTS MAY NOT MATCH SLOPE OF BEAM.

2 C TYPE COLUMN CONNECTION SCHEDULE
 N.T.S.



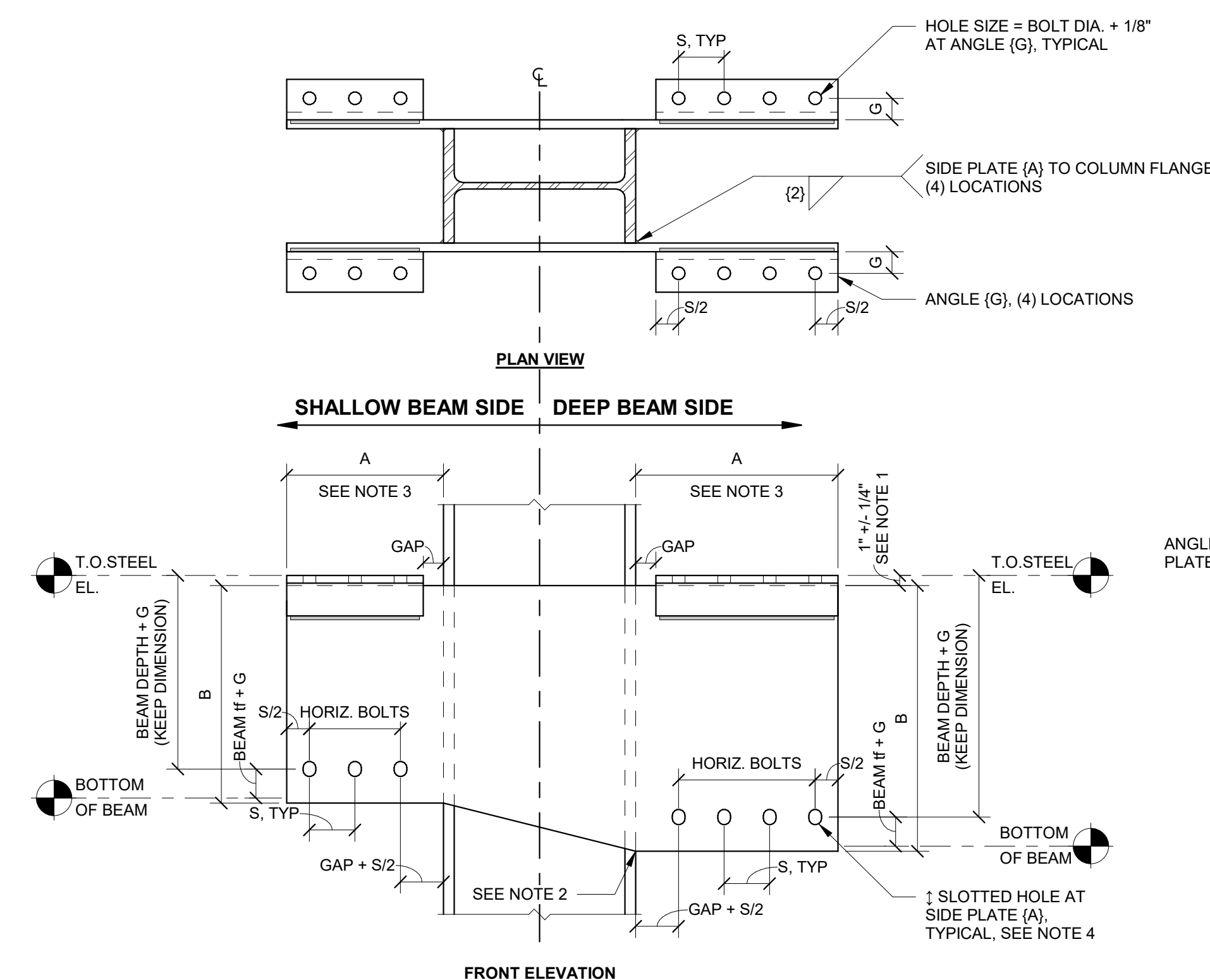
6 SUBTLE STEP TOP DETAIL (AS APPLICABLE)
 N.T.S.

NOTE(S):
 1. BEGIN SLOPE OF SIDE PLATE (A) AT OUTSIDE FACE OF COLUMN FLANGE, TYPICAL.
 2. UNIVERSAL STEP DETAIL MAY BE USED AS AN ALTERNATE. REFER TO DETAIL - / ---

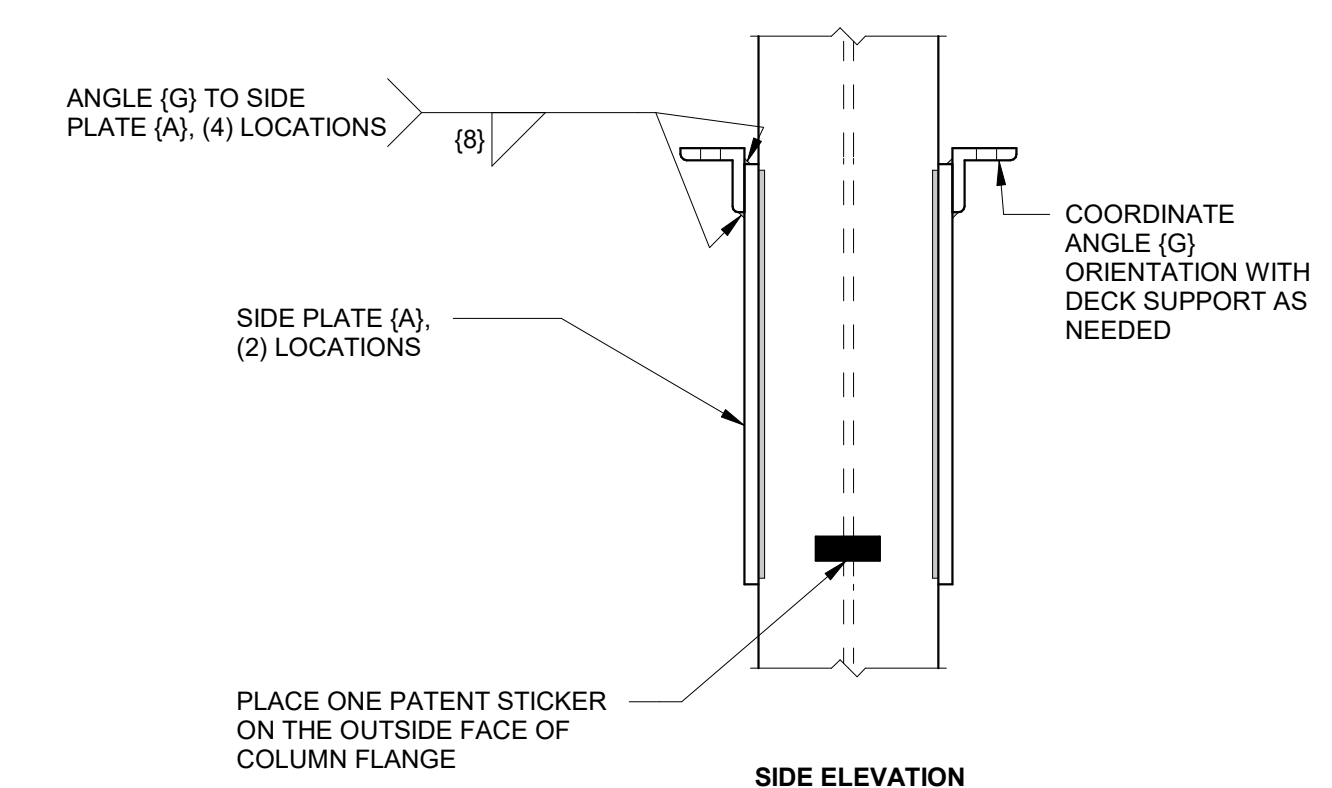
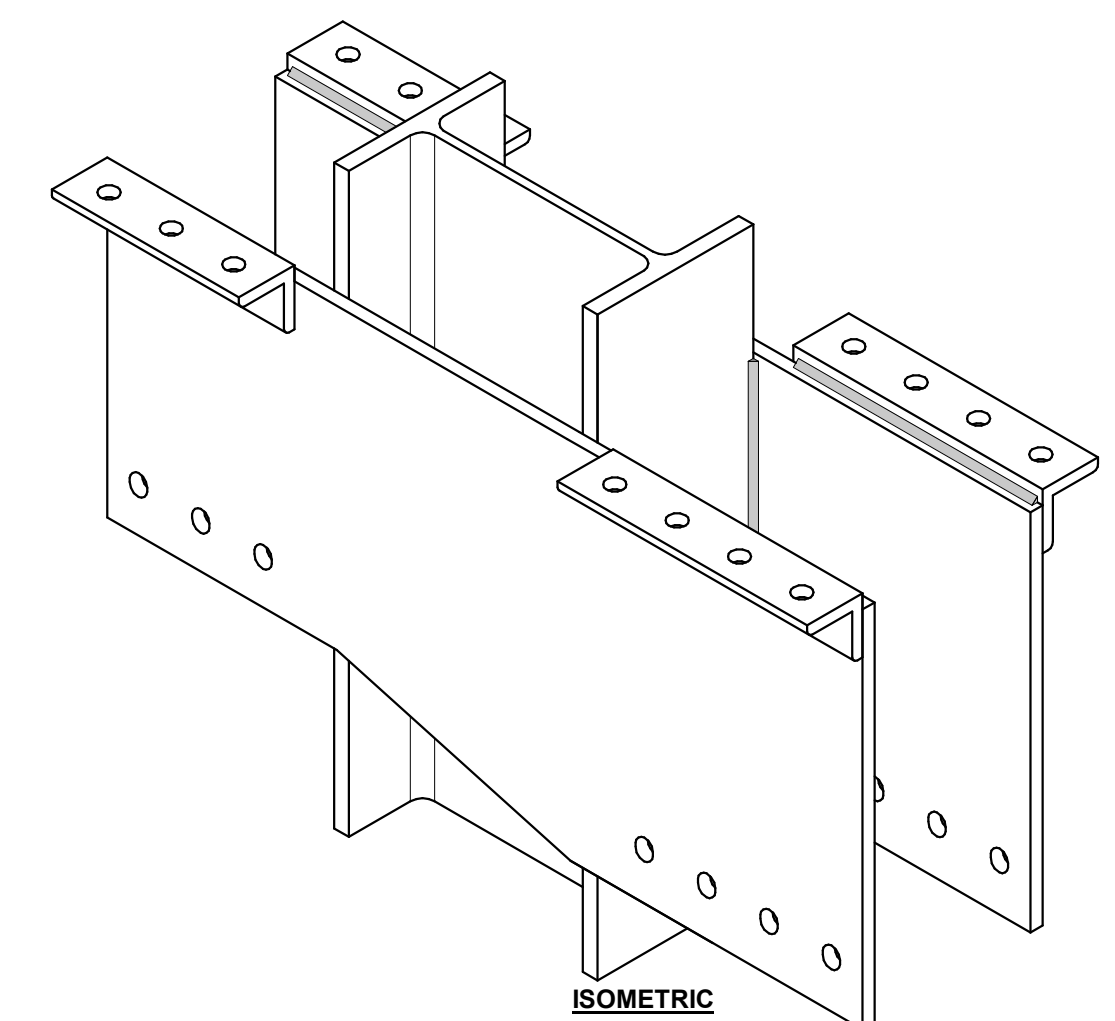


5 SUBTLE STEP BOTTOM DETAIL (AS APPLICABLE)
 N.T.S.

NOTE(S):
 1. BEGIN SLOPE OF SIDE PLATE (A) AT OUTSIDE FACE OF COLUMN FLANGE, TYPICAL.
 2. UNIVERSAL STEP DETAIL MAY BE USED AS AN ALTERNATE. REFER TO DETAIL - / ---



NOTE(S):
 1. THE +/- 1/4 INCH TOLERANCE FOR PLACEMENT OF ANGLES (G) IS TO ENSURE CORRECT TOP OF STEEL PLACEMENT RELATIVE TO THE CENTERLINE OF THE BOTTOM HORIZONTAL ROW OF BOLT HOLES. THE PLACEMENT OF ANGLES (G) SHALL NEVER BE MEASURED FROM THE BOTTOM EDGE OF SIDE PLATE (A) TO ESTABLISH THE CORRECT TOP OF STEEL.
 2. BEGIN SLOPE OF SIDE PLATE AT OUTSIDE FACE OF COLUMN, TYPICAL.
 3. DIMENSION A = GAP*(HORIZONTAL BOLTS)*(S)
 4. SLOTTED HOLE SIZE AS FOLLOWS: 1" DIAMETER BOLT = 1 1/8"X1 5/16" SLOT, 1 1/8" DIAMETER BOLT = 1 1/4"X1 1/2" SLOT, 1 1/4" BOLT = 1 3/8"X1 5/8" SLOT.



1 C TYPE BOLTED CONNECTION
 N.T.S.

PRELIMINARY DRAWINGS
 NOT FOR CONSTRUCTION

SIDEPLATE
 POWERED BY Mitek

SidePlate Systems, Inc.
 25909 Pala, Suite 200
 Mission Viejo, CA 92691

DATE
 05.07.2024

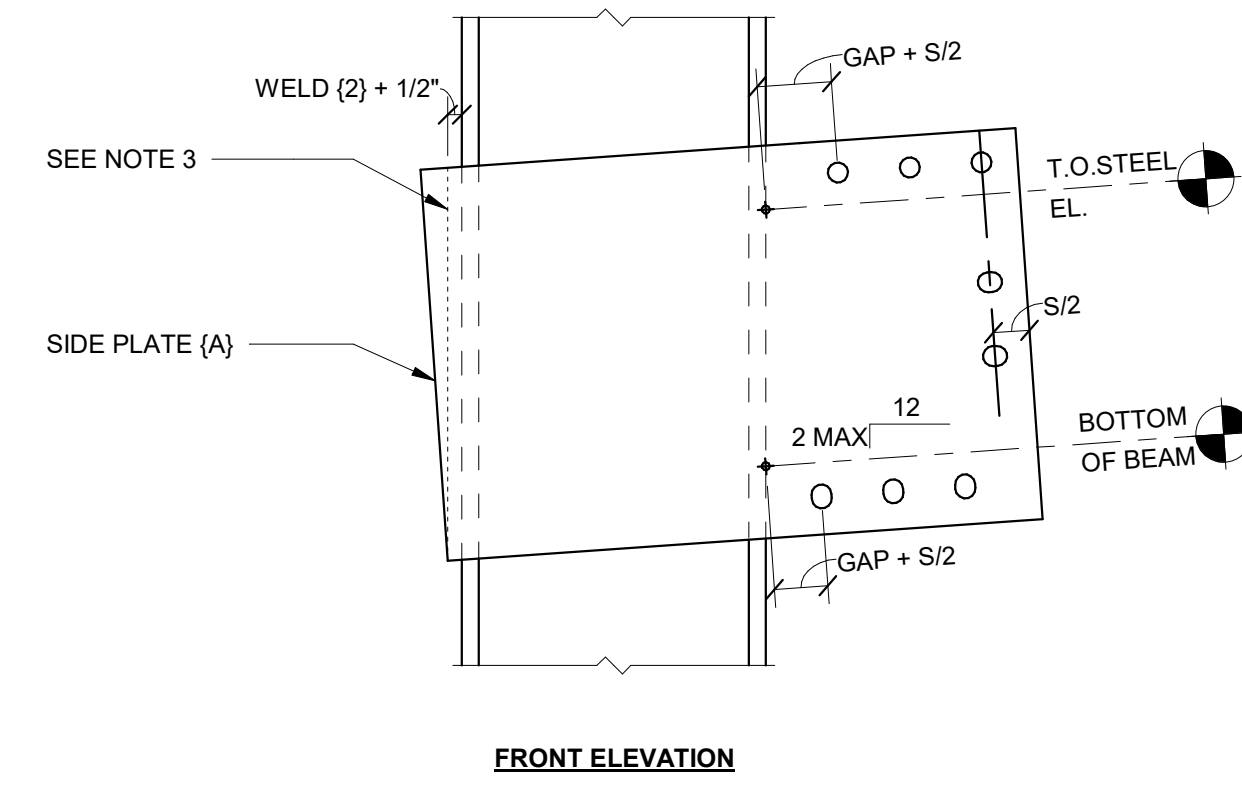
SHEET TITLE

SIDEPLATE COLUMN
 DETAILS, C TYPE

SP103

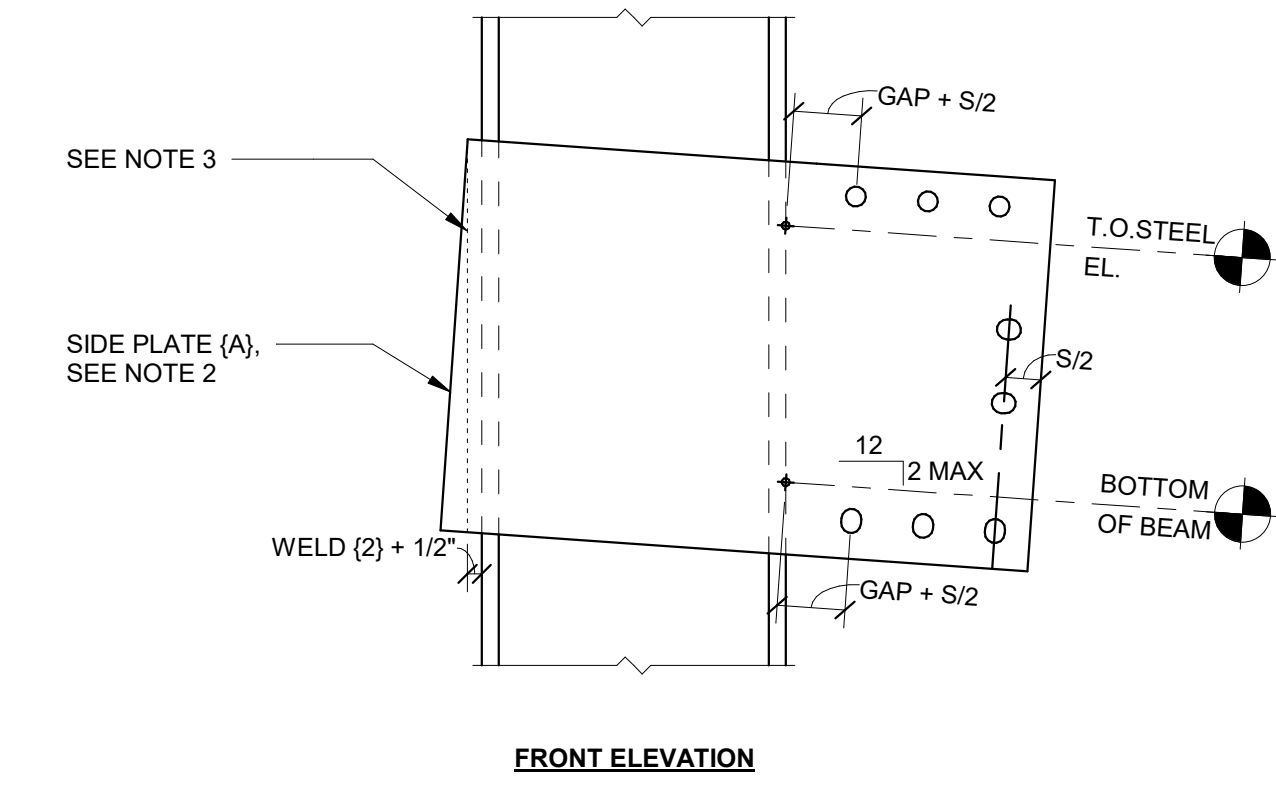
INTELLECTUAL PROPERTY RIGHTS NOTICE
 The SIDEPLATE® steel frame connection system is covered by one or more of U.S. Pat. Nos. 6,138,427; 6,516,583; 6,591,573; 7,178,296; 8,122,671; 8,146,322; 8,176,706; 8,205,408; and 9,091,065 and foreign counterparts. Other U.S. and foreign applications pending.

SIDEPLATE® is a registered trademark of Mitek Holdings, Inc., an affiliate of SidePlate Systems, Inc.
 Copyright © 2024 SidePlate Systems, Inc. All rights reserved. Without limitation, this drawing and the information hereon may be used only following payment of a license fee to SidePlate Systems, Inc. and for the design, construction, operation, repair, maintenance, restoration or demolition of the building(s) specifically identified.
 v15.09.06 MAP #50125



NOTE(S):
 1. FOR BEAM SLOPES GREATER THAN 2 INCHES PER FOOT, CONTACT SIDEPLATE SYSTEMS, INC.
 2. COORDINATE PLATES, ANGLES, AND DIMENSIONS WITH RESPECT TO THE SLOPE OF THE CONNECTION.
 3. AT CONTRACTOR'S DISCRETION, SIDE PLATE (A) MAY BE CUT AS SHOWN.

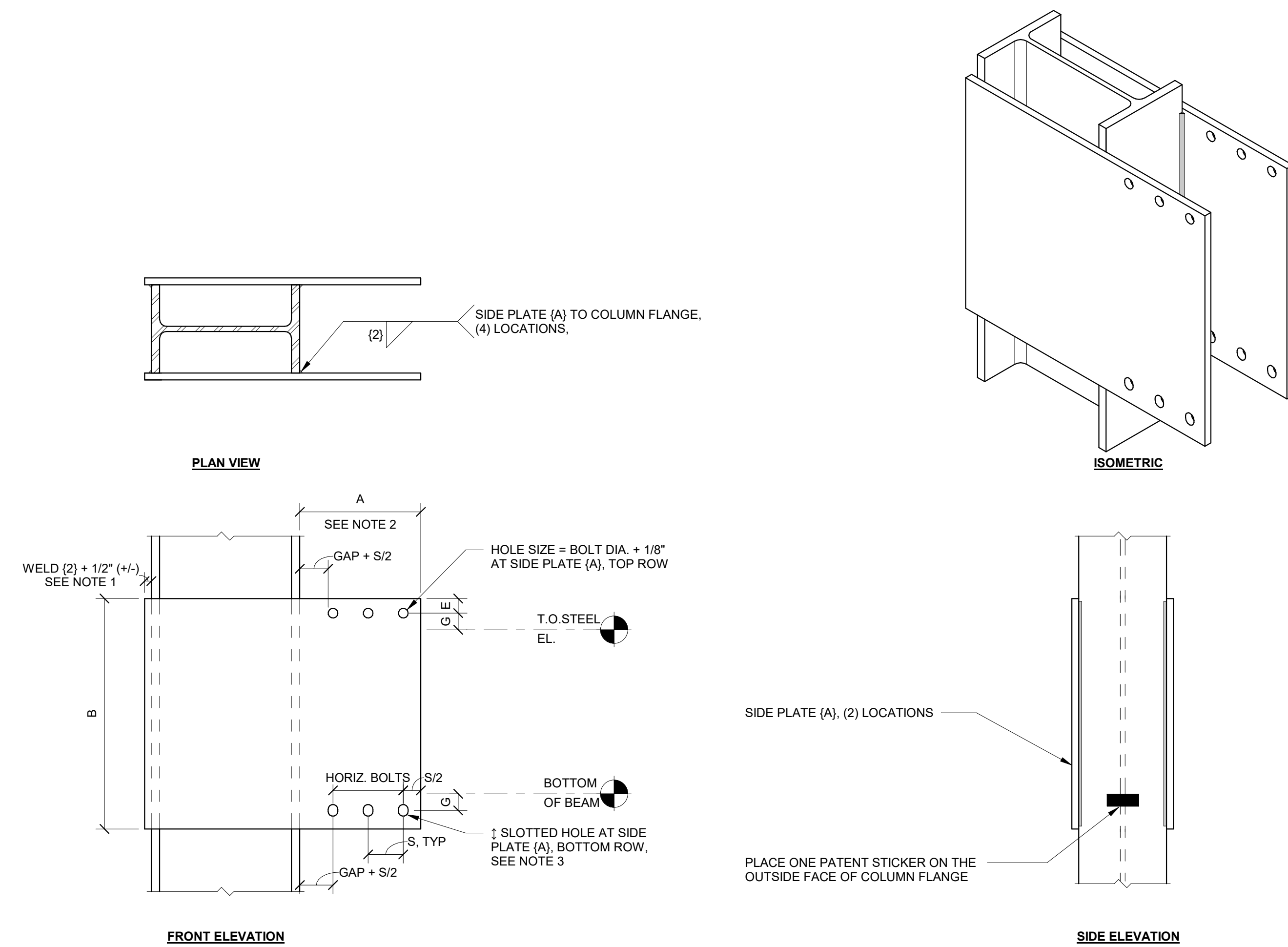
3 SLOPED UP CONNECTION (AS APPLICABLE)
 N.T.S.



NOTE(S):
 1. FOR BEAM SLOPES GREATER THAN 2 INCHES PER FOOT, CONTACT SIDEPLATE SYSTEMS, INC.
 2. COORDINATE PLATES, ANGLES, AND DIMENSIONS WITH RESPECT TO THE SLOPE OF THE CONNECTION.
 3. AT CONTRACTOR'S DISCRETION, SIDE PLATE (A) MAY BE CUT AS SHOWN.

4 SLOPED DOWN CONNECTION (AS APPLICABLE)
 N.T.S.

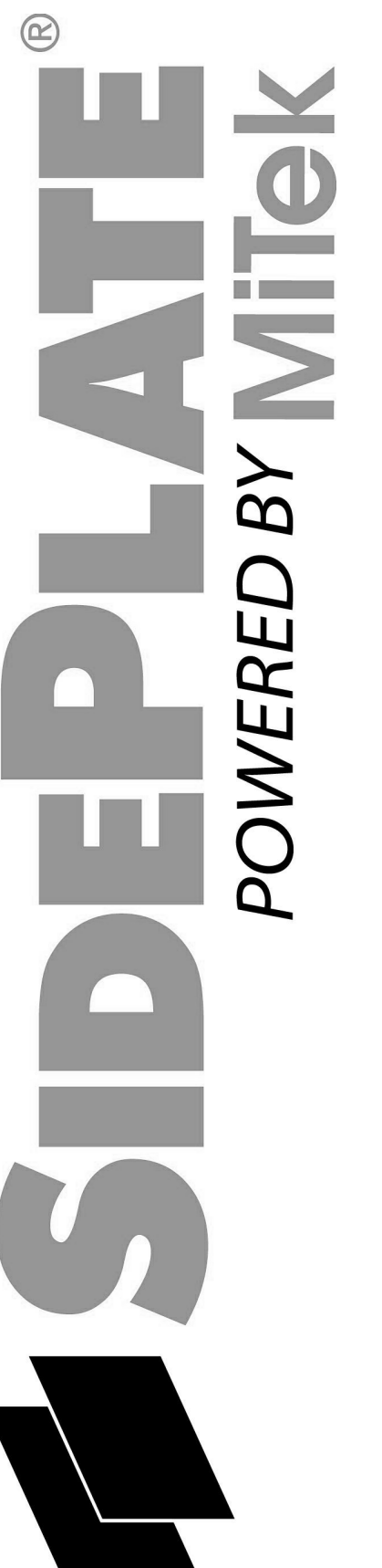
2 A TYPE NARROW COLUMN CONNECTION SCHEDULE
 N.T.S.



NOTE(S):
 1. THE 1/2 INCH OVERHANG ON THE SIDE PLATE (A) IS TO ENSURE SUFFICIENT ROOM FOR WELD (2), THE +/- TOLERANCE IS APPLIED SO THAT IF DESIRED, THE DETAILER CAN MAKE THE SIDE PLATES (A) THE SAME LENGTH WITH SLIGHTLY VARYING COLUMN DEPTHS WITHIN A GROUP OF THE SAME CONNECTION IDS.
 2. DIMENSION A = GAP + HORIZONTAL BOLTS (1'S)
 3. SLOTTED HOLE SIZE AS FOLLOWS: 1" DIAMETER BOLT = 1 1/8"X1 5/16" SLOT, 1 1/8" DIAMETER BOLT = 1 1/4"X1 1/2" SLOT, 1 1/4" BOLT = 1 3/8"X1 5/8" SLOT.

1 A TYPE NARROW BOLTED CONNECTION
 N.T.S.

PRELIMINARY DRAWINGS
 NOT FOR CONSTRUCTION



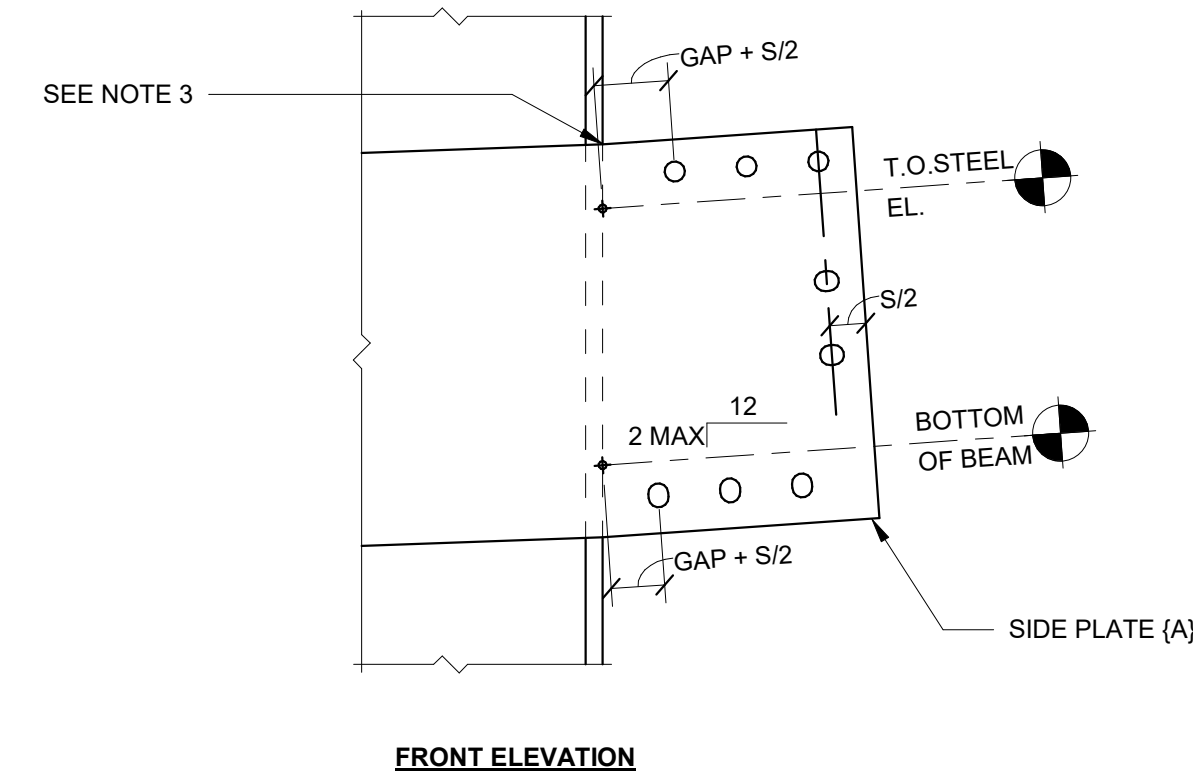
SidePlate Systems, Inc.
 25909 Pala, Suite 200
 Mission Viejo, CA 92691

DATE
 05.07.2024

SHEET TITLE
 SIDEPLATE COLUMN
 DETAILS, A TYPE
 NARROW

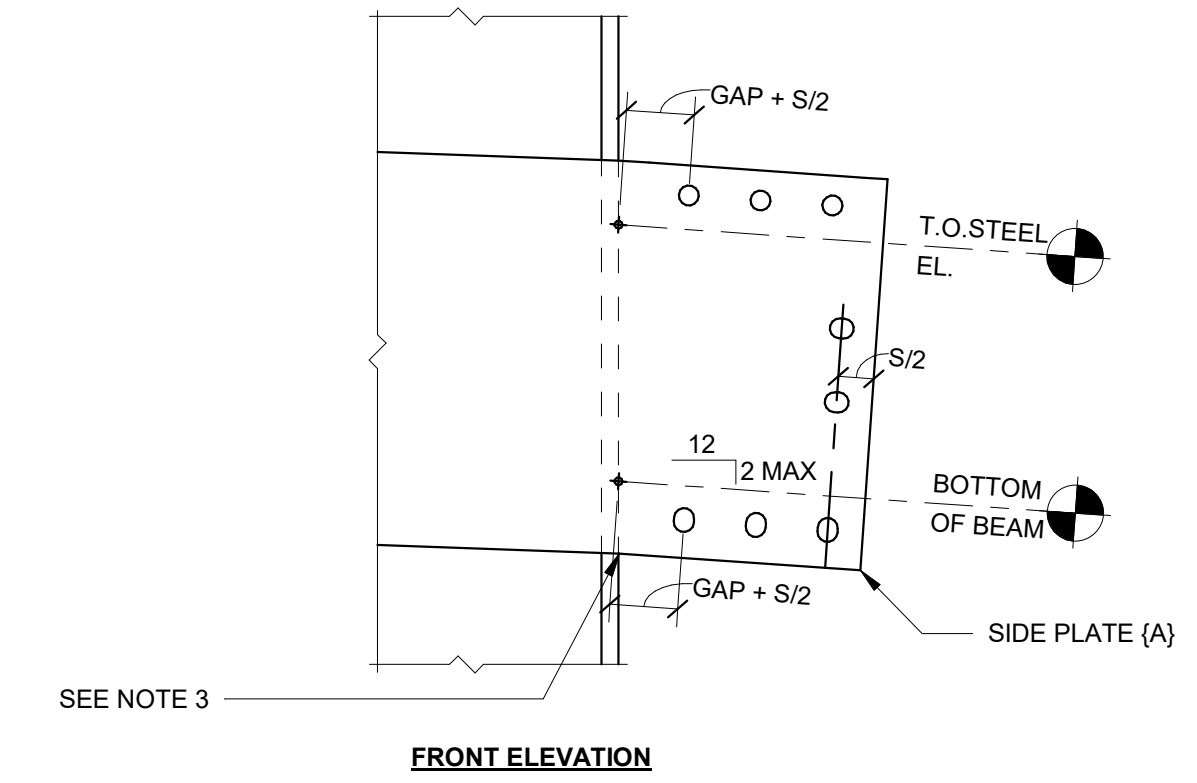
SP104

INTELLECTUAL PROPERTY RIGHTS NOTICE
 The SIDEPLATE® steel frame connection system is covered by one or more of U.S. Pat. Nos. 6,138,427; 6,516,583; 6,591,573; 7,178,296; 8,122,671; 8,122,672; 8,146,322; 8,176,706; 8,205,408; and 9,091,065 and foreign counterparts. Other U.S. and foreign applications pending.
 SIDEPLATE® is a registered trademark of Mitek Holdings, Inc., an affiliate of SidePlate Systems, Inc.
 Copyright © 2024 SidePlate Systems, Inc. All rights reserved. Without limitation, this drawing and the information hereon may be used only following payment of a license fee to SidePlate Systems, Inc. and for the design, construction, operation, repair, maintenance, restoration or demolition of the building(s) specifically identified.
 v15.09.06 MPE/EST/ED



- NOTE(S):
 1. FOR BEAM SLOPES GREATER THAN 2 INCHES PER FOOT, CONTACT SIDEPLATE SYSTEMS, INC.
 2. COORDINATE PLATES, ANGLES, AND DIMENSIONS WITH RESPECT TO THE SLOPE OF THE CONNECTION.
 3. BEGIN SLOPE OF SIDE PLATE AT OUTSIDE FACE OF COLUMN FLANGE. TYPICAL. NOTE THAT SLOPE OF SIDE PLATE WITHIN THE COLUMN EXTENTS MAY NOT MATCH SLOPE OF BEAM.

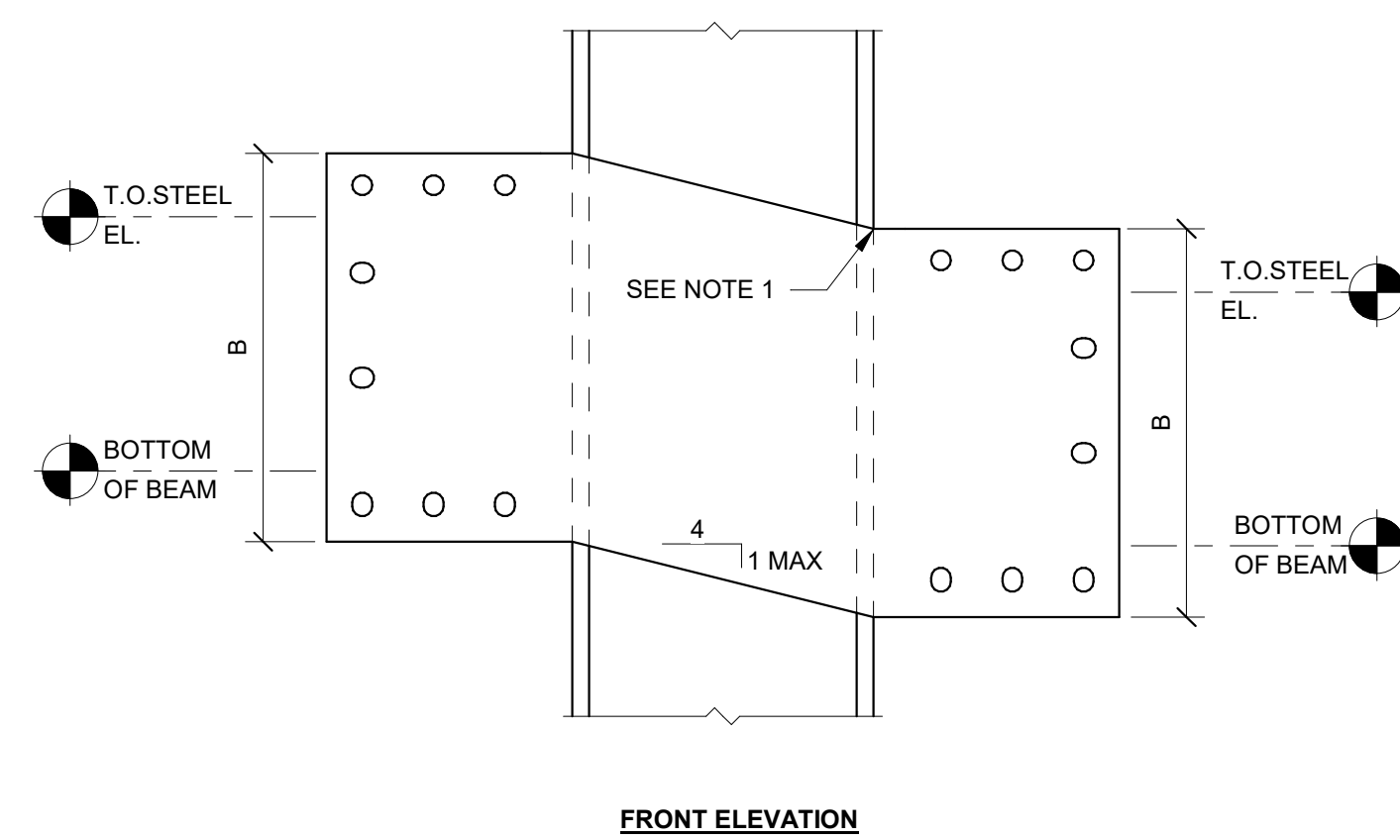
3 SLOPED UP CONNECTION (AS APPLICABLE)
 N.T.S.



- NOTE(S):
 1. FOR BEAM SLOPES GREATER THAN 2 INCHES PER FOOT, CONTACT SIDEPLATE SYSTEMS, INC.
 2. COORDINATE PLATES, ANGLES, AND DIMENSIONS WITH RESPECT TO THE SLOPE OF THE CONNECTION.
 3. BEGIN SLOPE OF SIDE PLATE AT OUTSIDE FACE OF COLUMN FLANGE. TYPICAL. NOTE THAT SLOPE OF SIDE PLATE WITHIN THE COLUMN EXTENTS MAY NOT MATCH SLOPE OF BEAM.

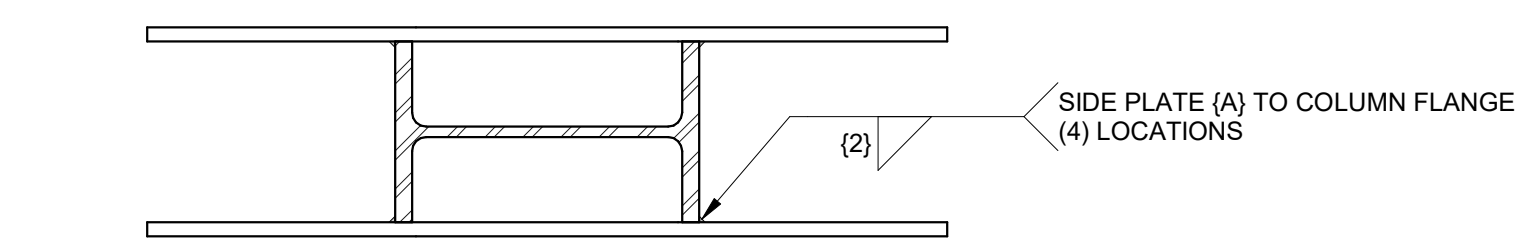
4 SLOPED DOWN CONNECTION (AS APPLICABLE)
 N.T.S.

2 B TYPE NARROW COLUMN CONNECTION SCHEDULE
 N.T.S.

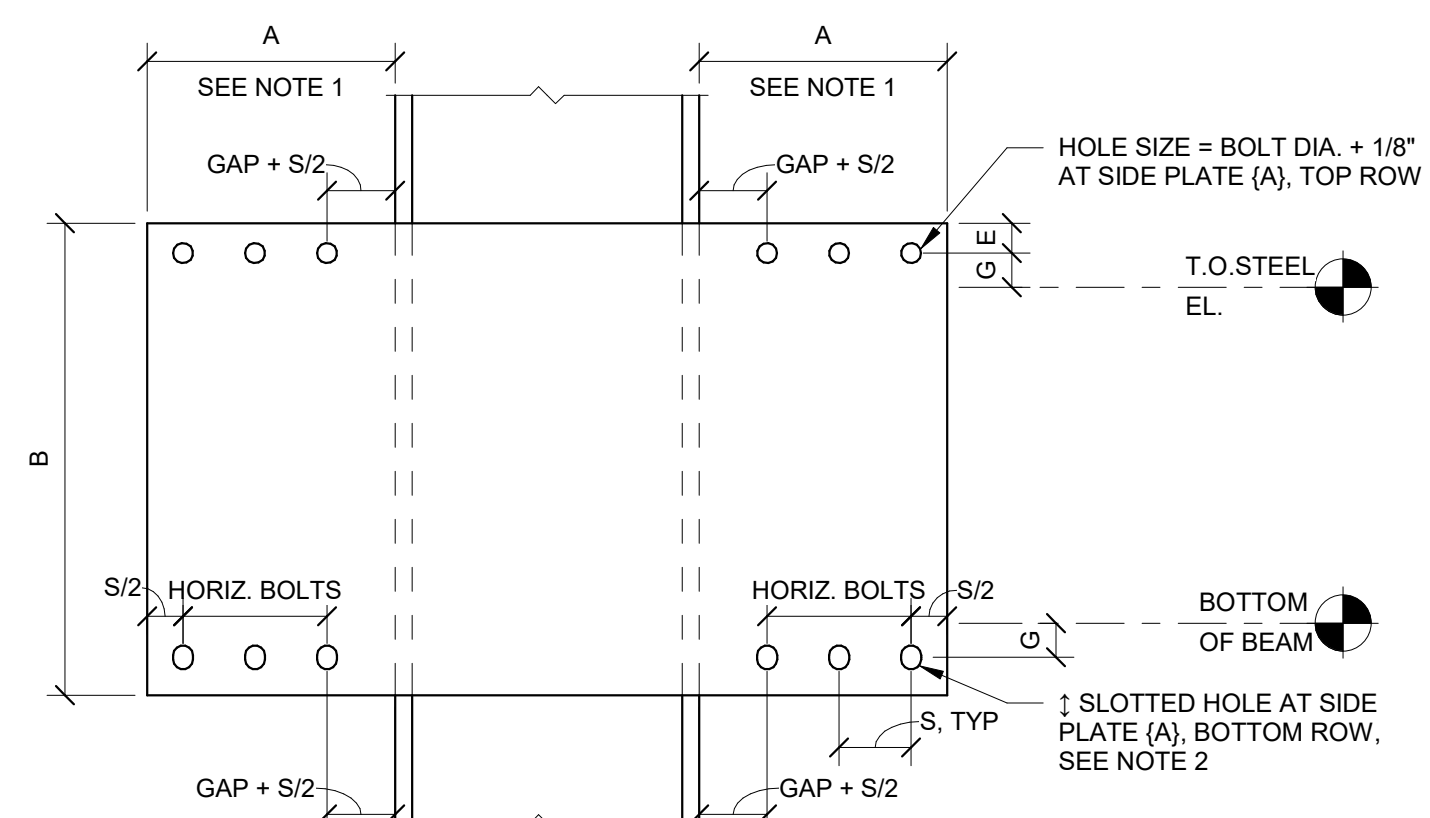


- NOTE(S):
 1. BEGIN SLOPE OF SIDE PLATE (A) AT OUTSIDE FACE OF COLUMN FLANGE. TYPICAL.
 2. UNIVERSAL STEP DETAIL MAY BE USED AS AN ALTERNATE. REFER TO DETAIL - / -

5 STEP DETAIL (AS APPLICABLE)
 N.T.S.



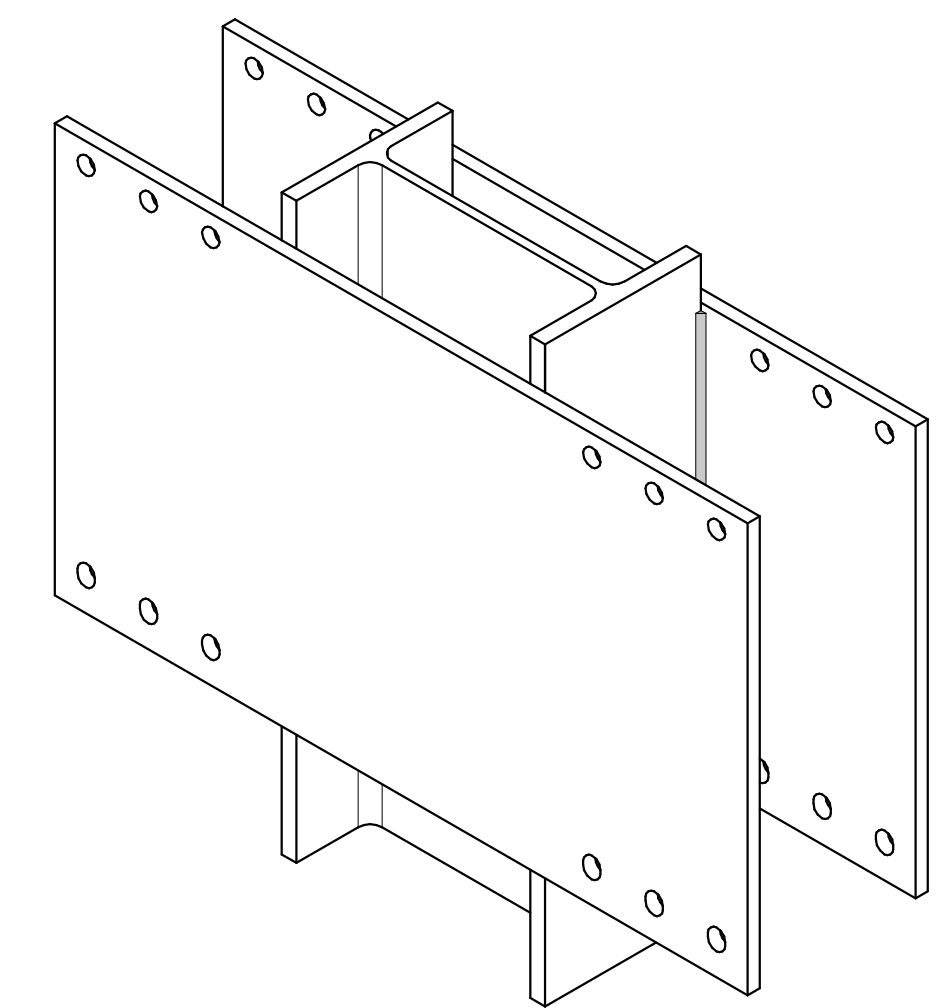
PLAN VIEW



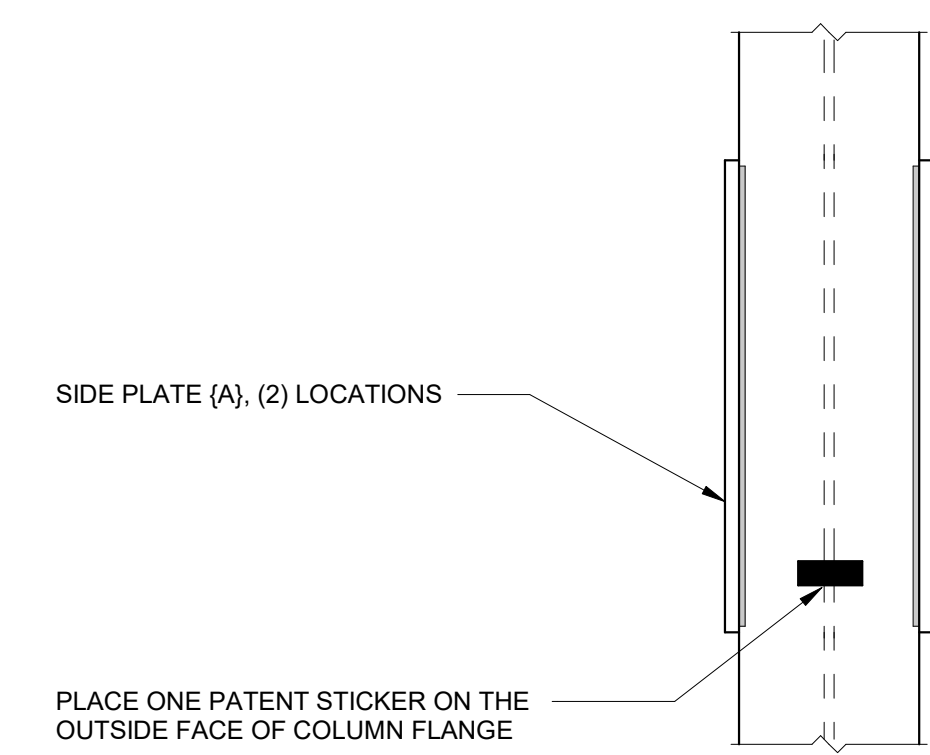
FRONT ELEVATION

- NOTE(S):
 1. DIMENSION A = GAP+(HORIZONTAL BOLTS)*(S)
 2. SLOTTED HOLE SIZE AS FOLLOWS: 1" DIAMETER BOLT = 1 1/8"x1 5/16" HOLE, 1 1/8" DIAMETER BOLT = 1 1/4"x1 1/2" HOLE, 1 1/4" BOLT = 1 3/8"x1 5/8" HOLE.

1 B TYPE NARROW BOLTED CONNECTION
 N.T.S.

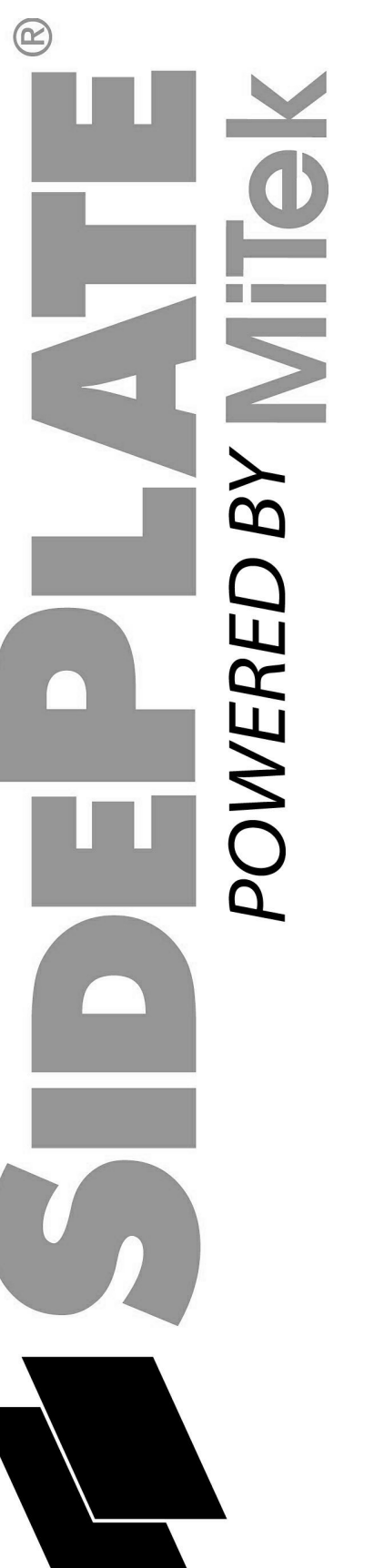


ISOMETRIC



SIDE ELEVATION

PRELIMINARY DRAWINGS
 NOT FOR CONSTRUCTION



SidePlate Systems, Inc.
 25909 Pala, Suite 200
 Mission Viejo, CA 92691

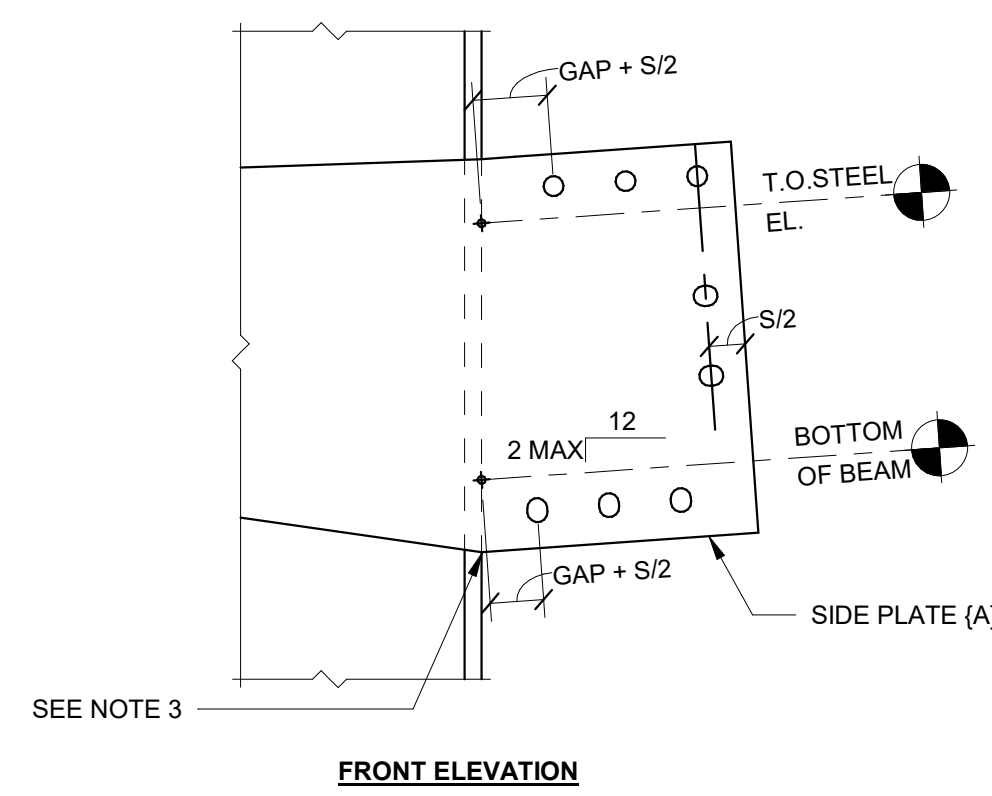
DATE
 05.07.2024

SHEET TITLE

SIDEPLATE COLUMN
 DETAILS, B TYPE
 NARROW

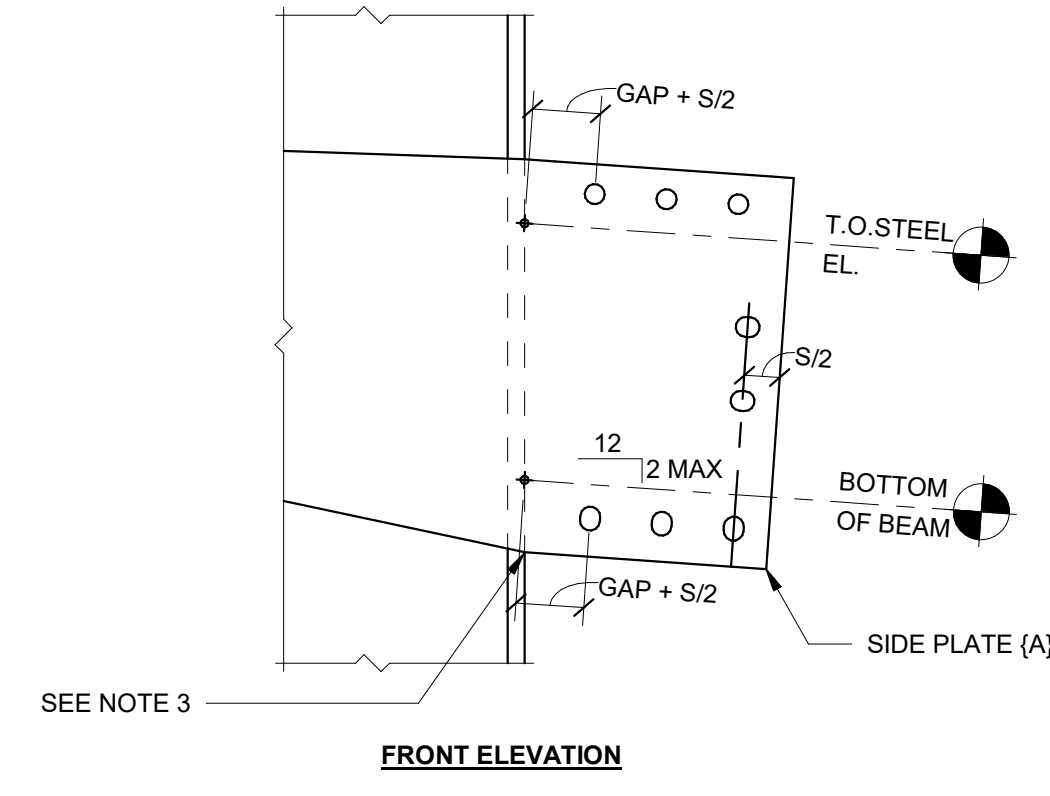
SP105

INTELLECTUAL PROPERTY RIGHTS NOTICE
 The SIDEPLATE® steel frame connection system is covered by one or more of U.S. Pat. Nos. 6,138,427; 6,516,583; 6,591,573; 7,178,296; 8,122,671; 8,146,322; 8,176,706; 8,205,408; and 9,091,065 and foreign counterparts. Other U.S. and foreign applications pending.
 SIDEPLATE® is a registered trademark of MiTek Holdings, Inc., an affiliate of SidePlate Systems, Inc.
 Copyright © 2024 SidePlate Systems, Inc. All rights reserved. Without limitation, this drawing and the information hereon may be used only following payment of a license fee to SidePlate Systems, Inc. and for the design, construction, operation, repair, maintenance, restoration or demolition of the building(s) specifically identified.
 v15.09.06
 MAP 05/2024



NOTES:
 1. FOR BEAM SLOPES GREATER THAN 2 INCHES PER FOOT, CONTACT SIDEPLATE SYSTEMS, INC.
 2. COORDINATE PLATES, ANGLES, AND DIMENSIONS WITH RESPECT TO THE SLOPE OF THE CONNECTION.
 3. BEGIN SLOPE OF SIDE PLATE AT OUTSIDE FACE OF COLUMN FLANGE, TYPICAL. NOTE THAT SLOPE OF SIDE PLATE WITHIN THE COLUMN EXTENTS MAY NOT MATCH SLOPE OF BEAM.

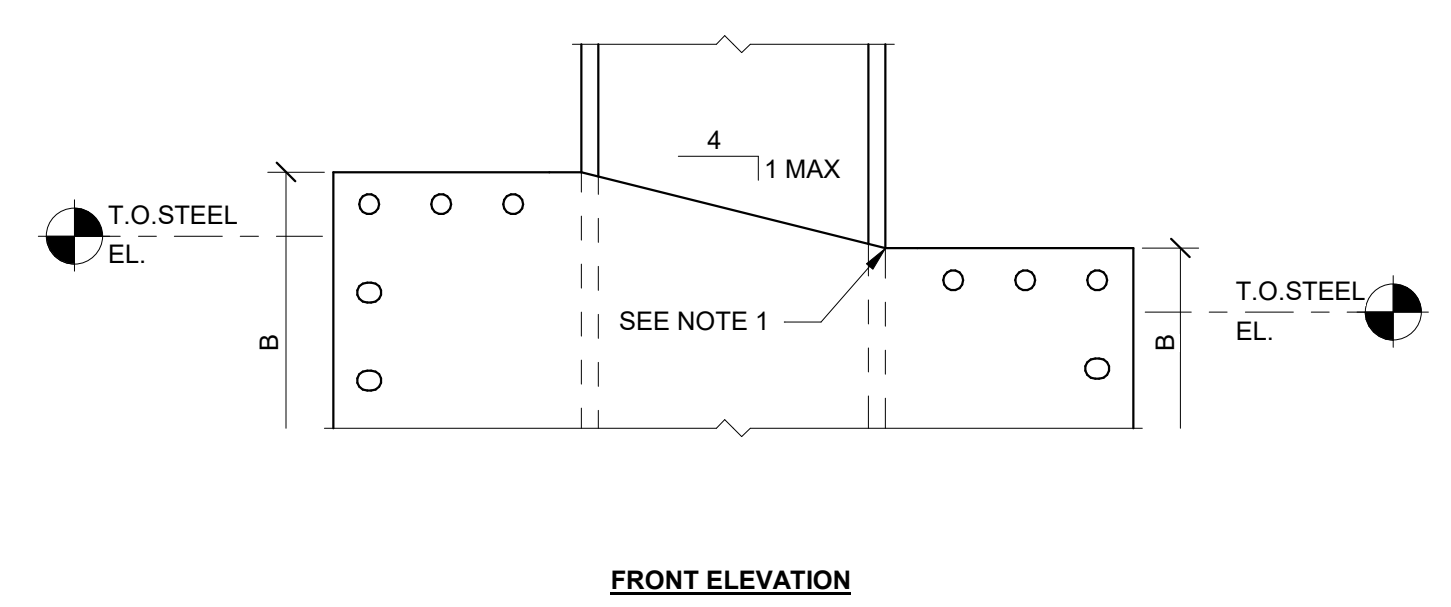
3 SLOPED UP CONNECTION (AS APPLICABLE)
 N.T.S.



NOTES:
 1. FOR BEAM SLOPES GREATER THAN 2 INCHES PER FOOT, CONTACT SIDEPLATE SYSTEMS, INC.
 2. COORDINATE PLATES, ANGLES, AND DIMENSIONS WITH RESPECT TO THE SLOPE OF THE CONNECTION.
 3. BEGIN SLOPE OF SIDE PLATE AT OUTSIDE FACE OF COLUMN FLANGE, TYPICAL. NOTE THAT SLOPE OF SIDE PLATE WITHIN THE COLUMN EXTENTS MAY NOT MATCH SLOPE OF BEAM.

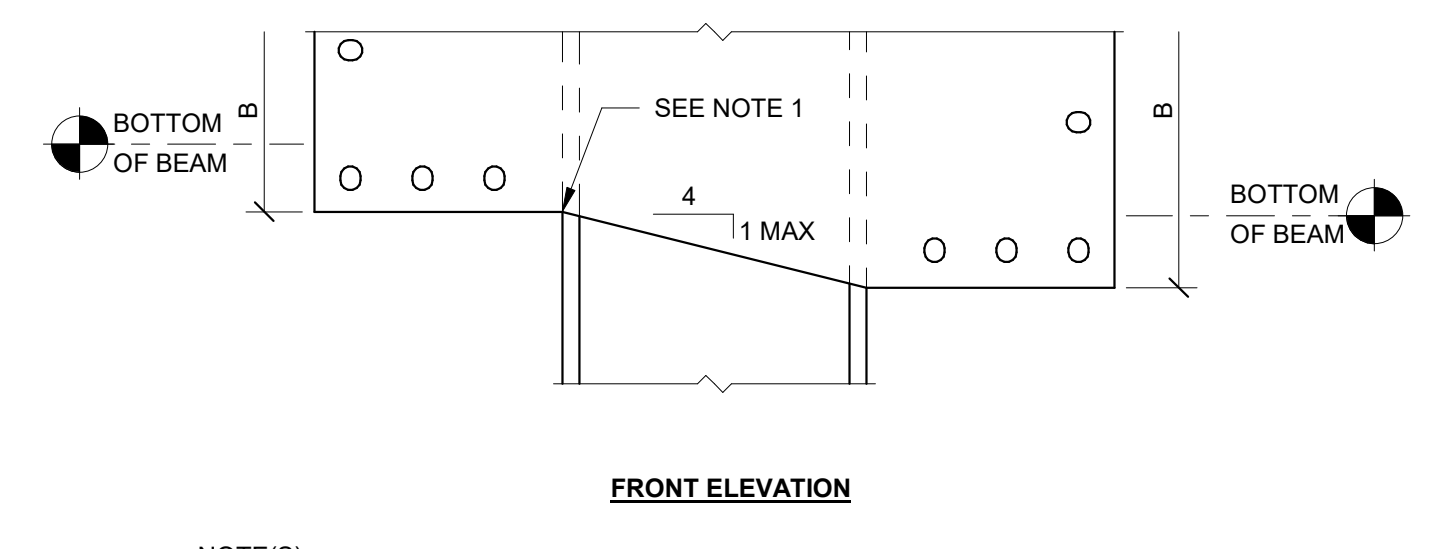
4 SLOPED DOWN CONNECTION (AS APPLICABLE)
 N.T.S.

2 C TYPE NARROW COLUMN CONNECTION SCHEDULE
 N.T.S.



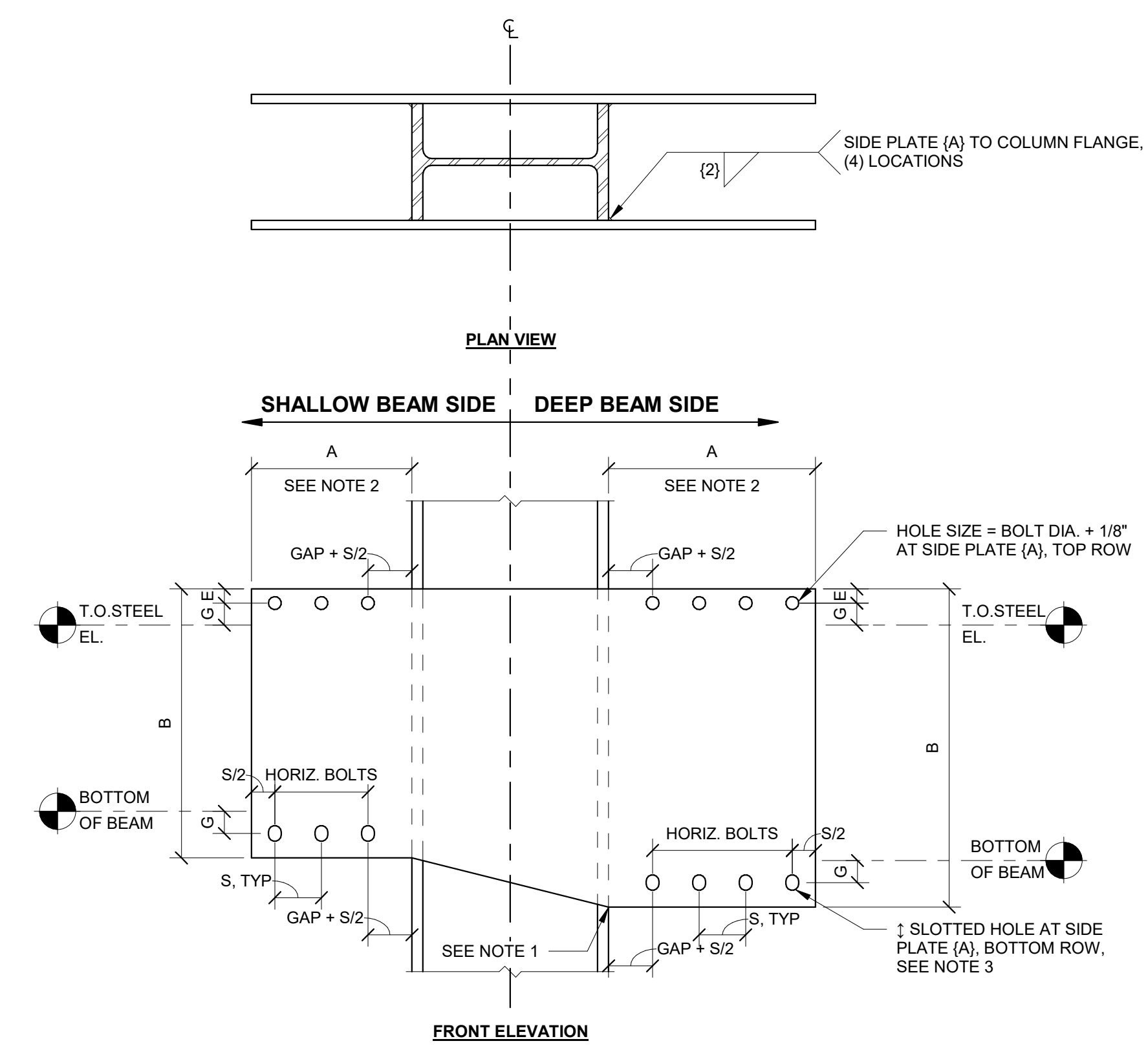
NOTES:
 1. BEGIN SLOPE OF SIDE PLATE (A) AT OUTSIDE FACE OF COLUMN FLANGE, TYPICAL.
 2. UNIVERSAL STEP DETAIL MAY BE USED AS AN ALTERNATE. REFER TO DETAIL - / -

6 SUBTLE STEP TOP DETAIL (AS APPLICABLE)
 N.T.S.



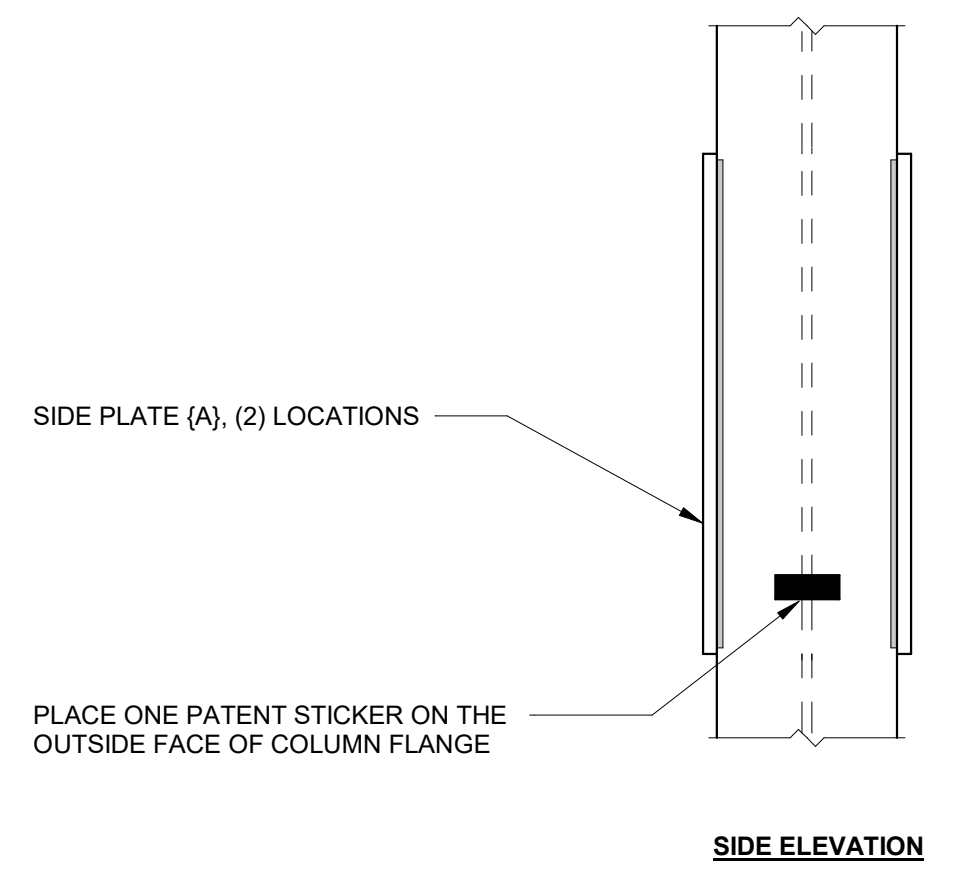
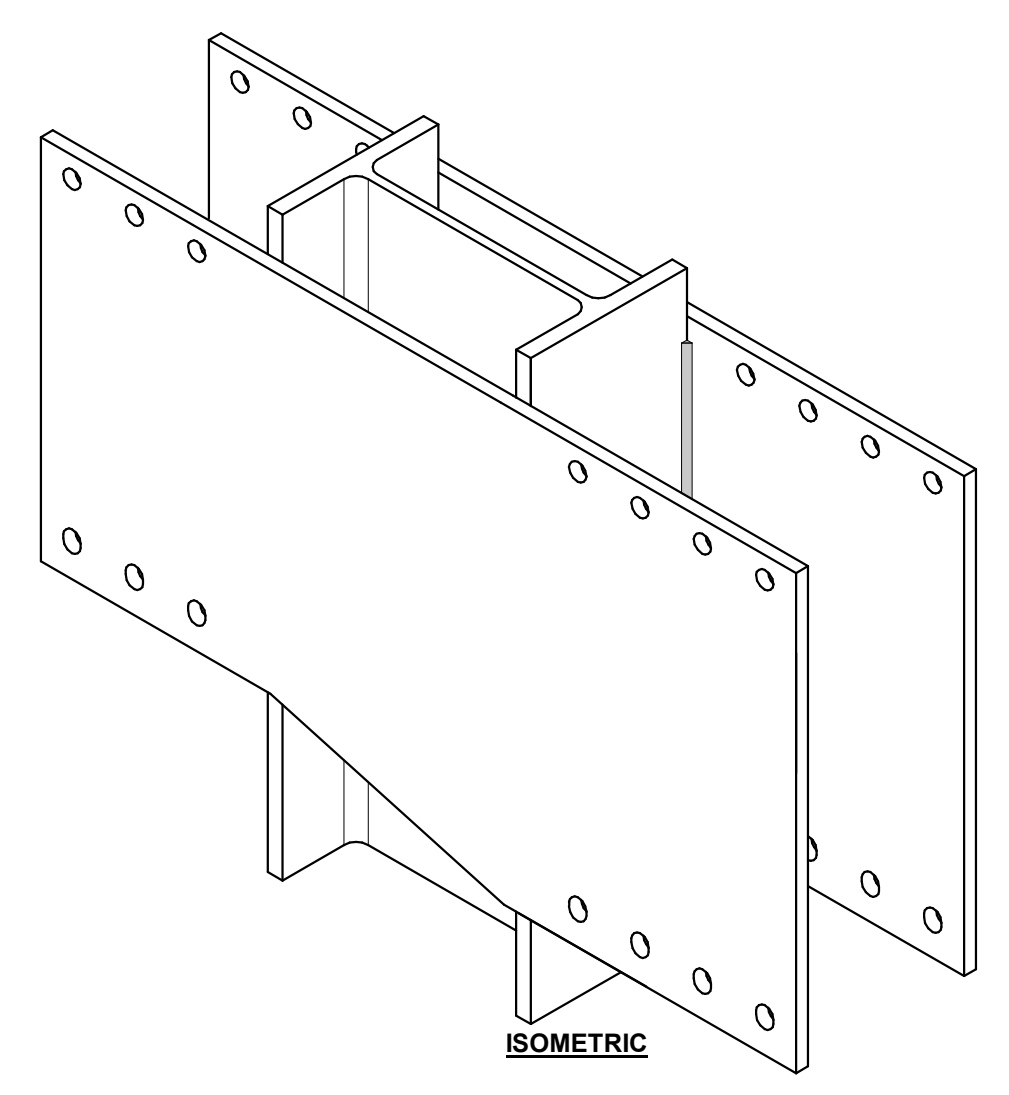
NOTES:
 1. BEGIN SLOPE OF SIDE PLATE (A) AT OUTSIDE FACE OF COLUMN FLANGE, TYPICAL.
 2. UNIVERSAL STEP DETAIL MAY BE USED AS AN ALTERNATE. REFER TO DETAIL - / -

5 SUBTLE STEP BOTTOM DETAIL (AS APPLICABLE)
 N.T.S.



NOTES:
 1. BEGIN SLOPE OF SIDE PLATE AT OUTSIDE FACE OF COLUMN, TYPICAL.
 2. DIMENSION A = GAP + (HORIZONTAL BOLTS) (S)
 3. SLOTTED HOLE SIZE AS FOLLOWS: 1" DIAMETER BOLT = 1 1/8"X1 5/16" SLOT, 1 1/8" DIAMETER BOLT = 1 1/4"X1 1/2" SLOT, 1 1/4" BOLT = 1 3/8"X1 5/8" SLOT.

1 C TYPE NARROW BOLTED CONNECTION
 N.T.S.



PRELIMINARY DRAWINGS
 NOT FOR CONSTRUCTION

SIDEPLATE®
 POWERED BY MiTek

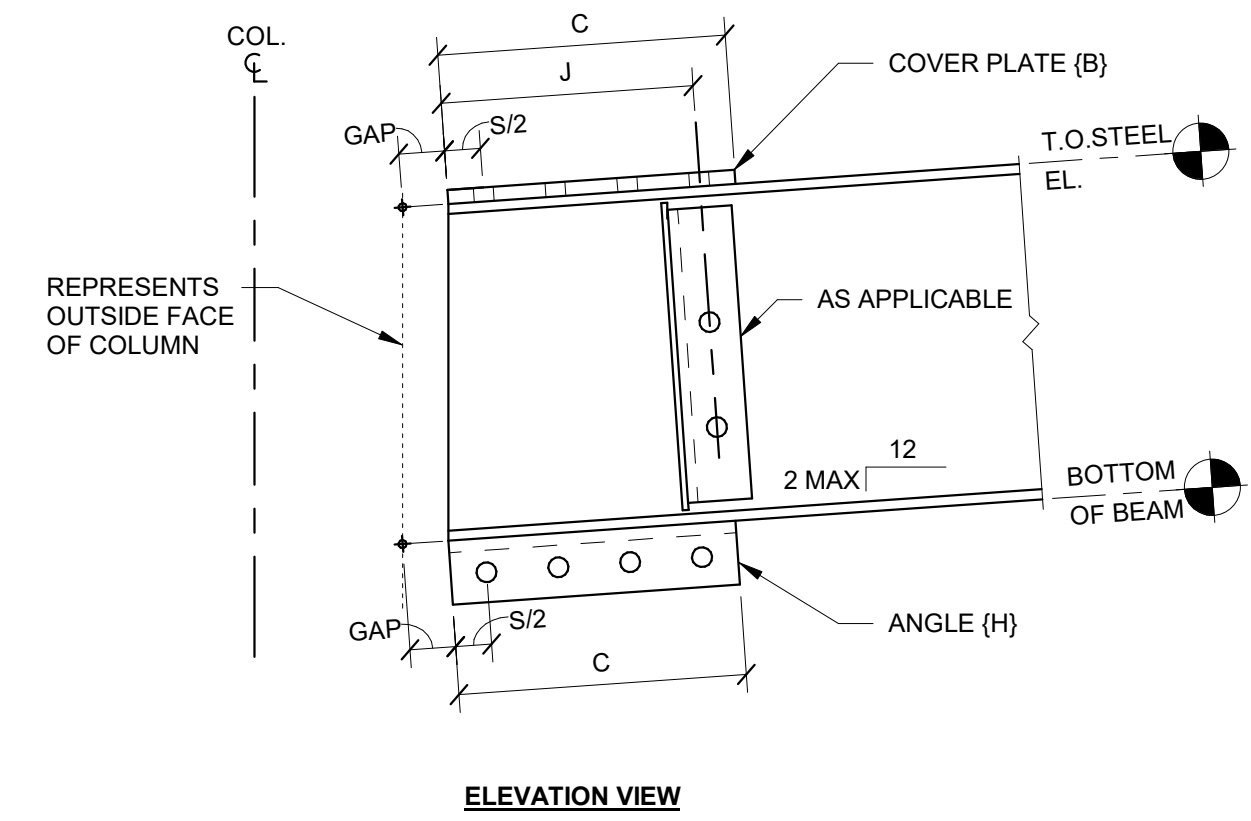
SidePlate Systems, Inc.
 25909 Pala, Suite 200
 Mission Viejo, CA 92691

DATE
05.07.2024

SHEET TITLE
SIDEPLATE COLUMN DETAILS, C TYPE NARROW

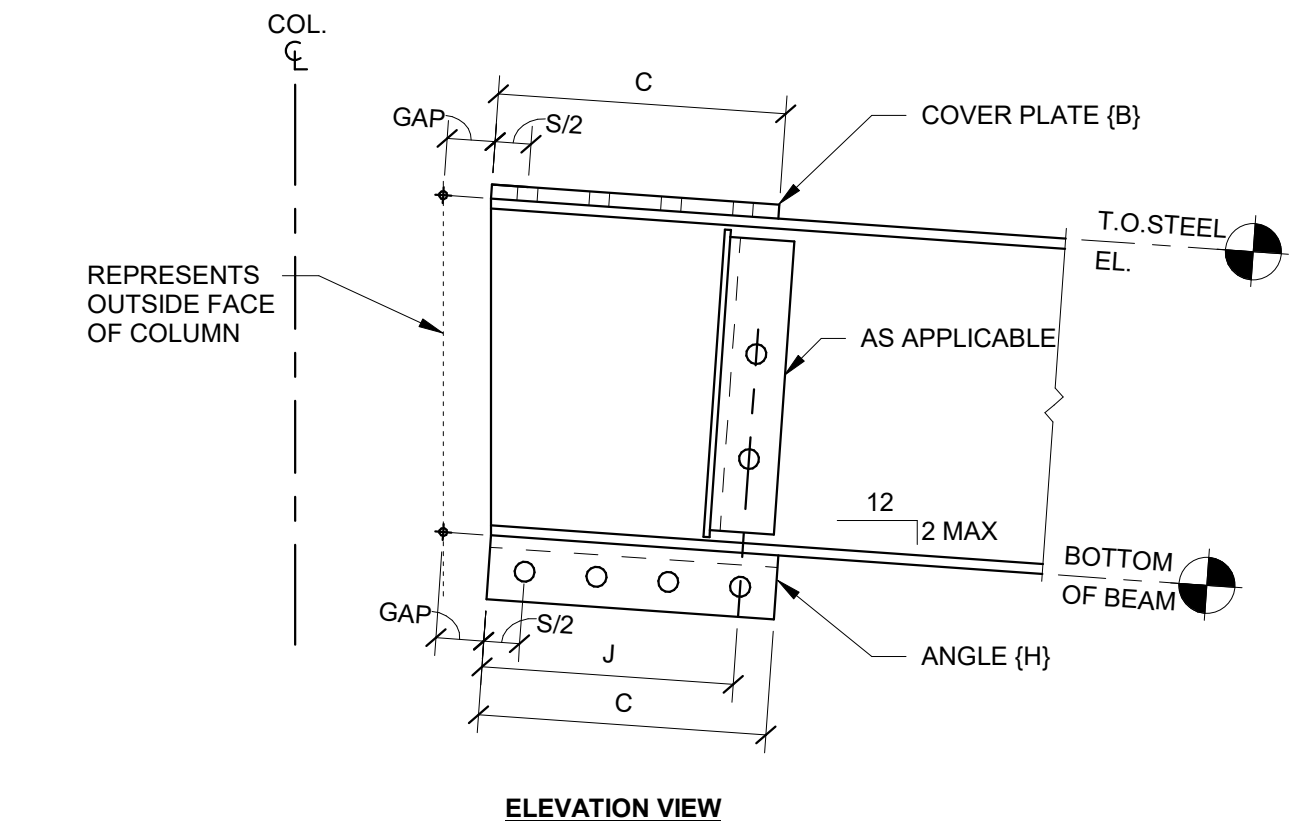
SP106

INTELLECTUAL PROPERTY RIGHTS NOTICE
 The SIDEPLATE® steel frame connection system is covered by one or more of U.S. Pat. Nos. 6,138,427; 6,516,583; 6,591,573; 7,178,296; 8,122,671; 8,146,322; 8,146,322; 8,176,706; 8,205,408; and 9,091,065 and foreign counterparts. Other U.S. and foreign applications pending.
 SIDEPLATE® is a registered trademark of MiTek Holdings, Inc., an affiliate of SidePlate Systems, Inc.
 Copyright © 2024 SidePlate Systems, Inc. All rights reserved. Without limitation, this drawing and the information hereon may be used only following payment of a license fee to SidePlate Systems, Inc. and for the design, construction, operation, repair, maintenance, restoration or demolition of the building(s) specifically identified.
 v15.09.06



NOTE(S):
 1. FOR BEAM SLOPES GREATER THAN 2 INCHES PER FOOT, CONTACT SIDEPLATE SYSTEMS, INC.

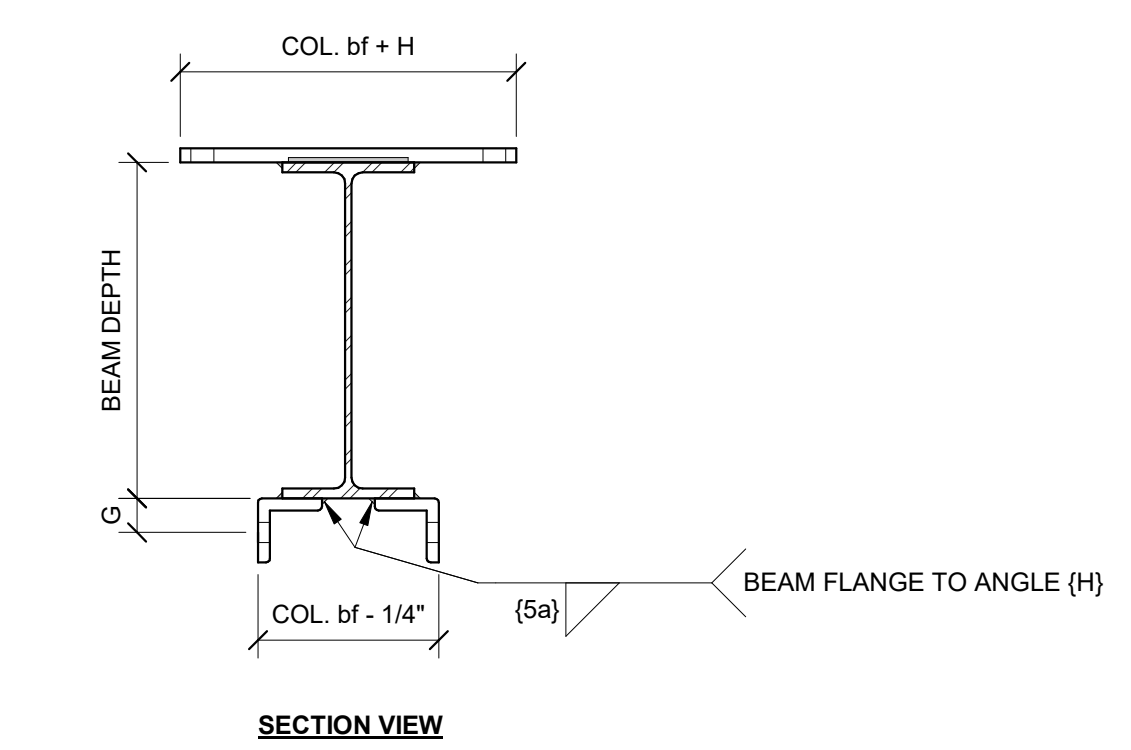
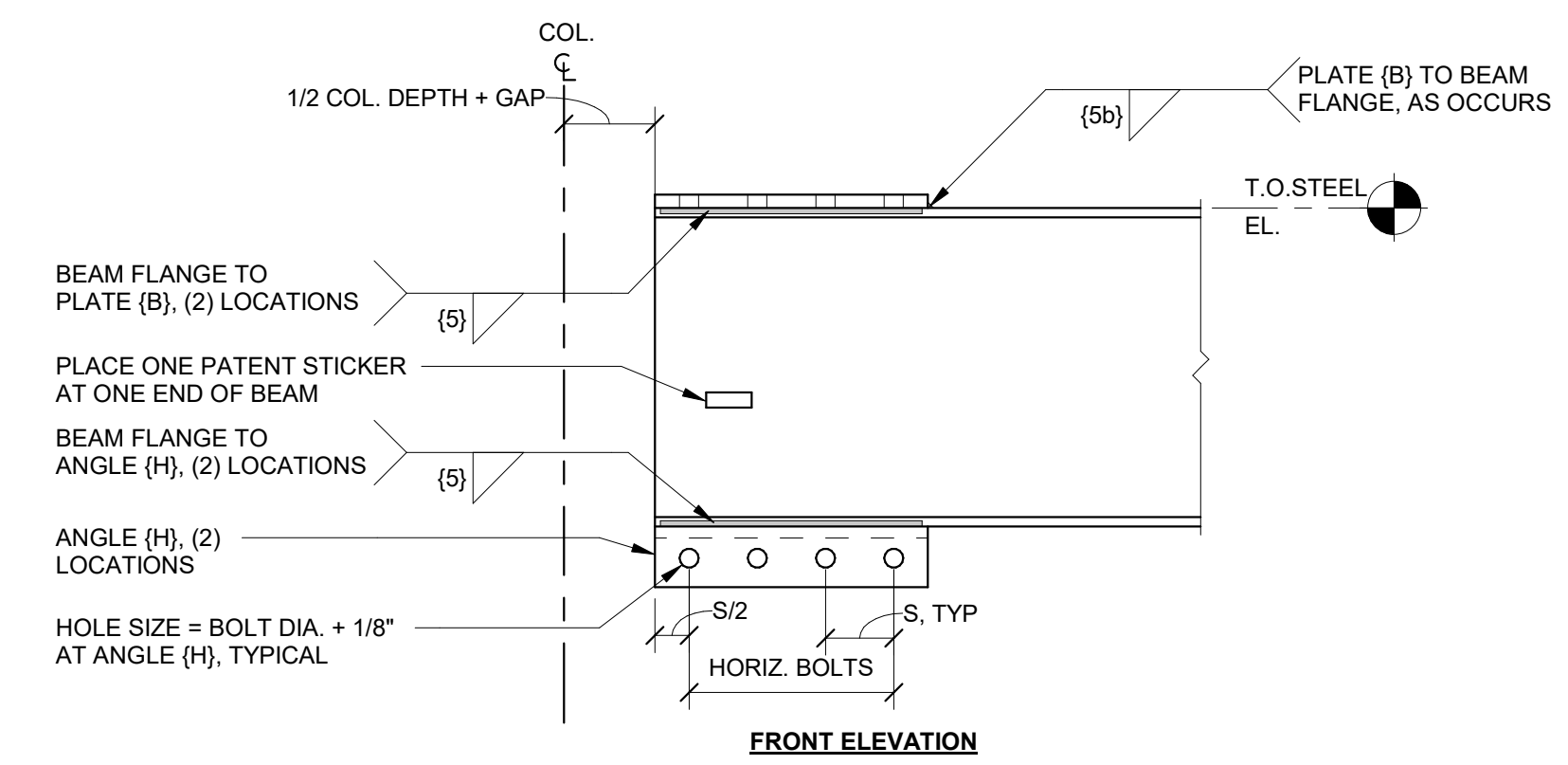
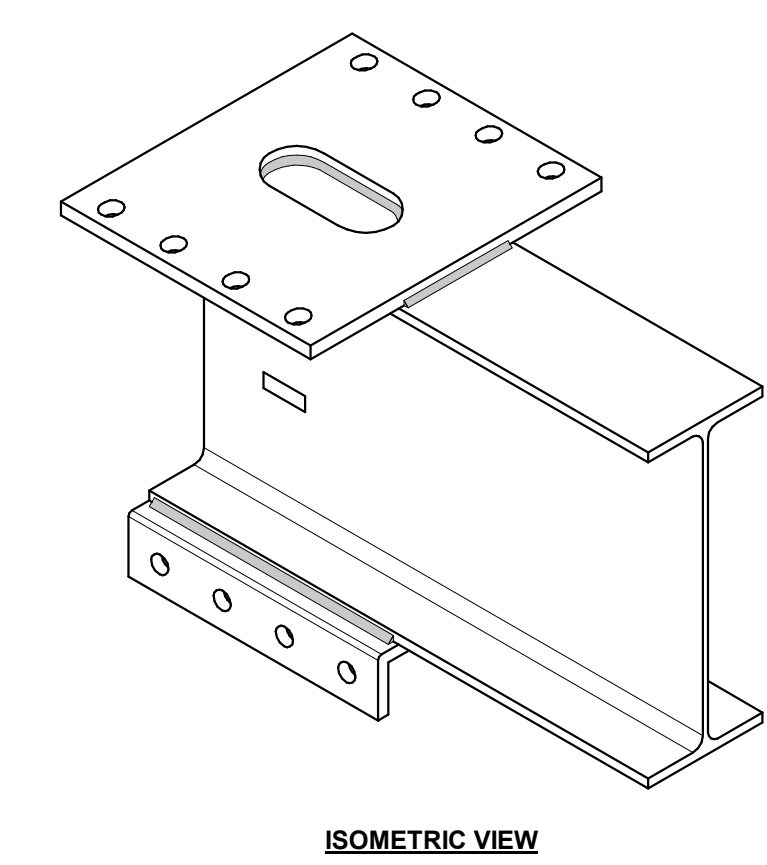
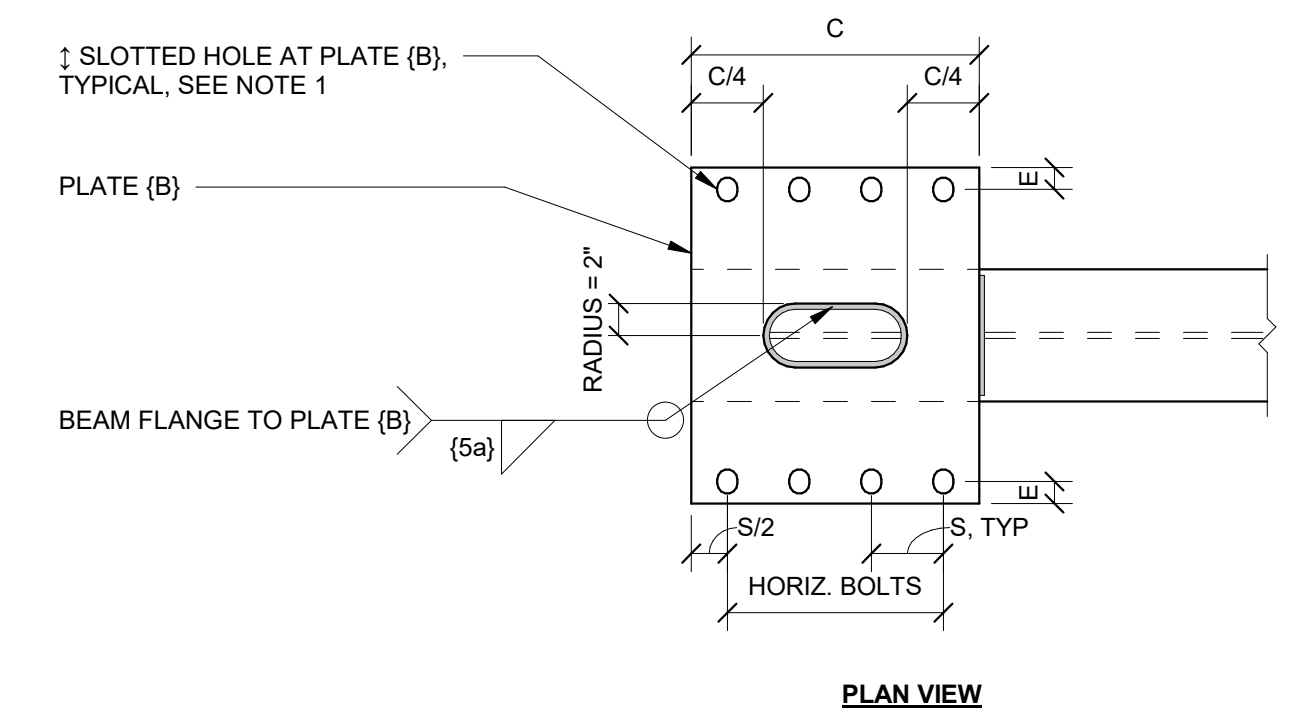
3 SLOPED UP BEAM END (AS APPLICABLE)
 N.T.S.



NOTE(S):
 1. FOR BEAM SLOPES GREATER THAN 2 INCHES PER FOOT, CONTACT SIDEPLATE SYSTEMS, INC.

4 SLOPED DOWN BEAM END (AS APPLICABLE)
 N.T.S.

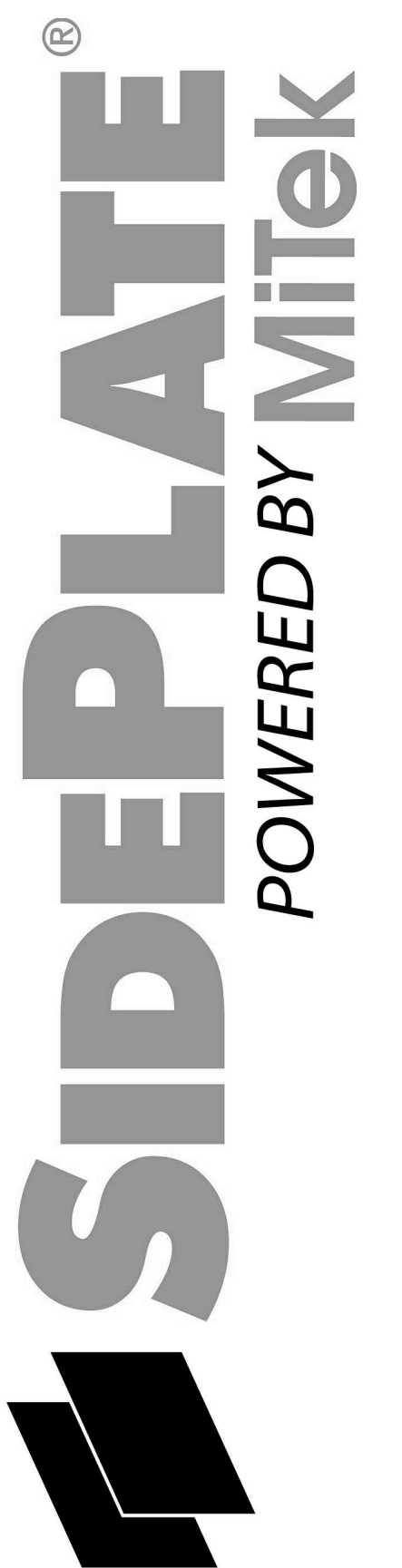
2 BEAM END SCHEDULE
 N.T.S.



NOTE(S):
 1. SLOTTED HOLE SIZE AS FOLLOWS: 1" DIAMETER BOLT = 1 1/8"X1 5/16" SLOT, 1 1/8" DIAMETER BOLT = 1 1/4"X1 1/2" SLOT, 1 1/4" BOLT = 1 3/8"X1 5/8" SLOT.

1 BEAM END DETAIL
 N.T.S.

PRELIMINARY DRAWINGS
 NOT FOR CONSTRUCTION



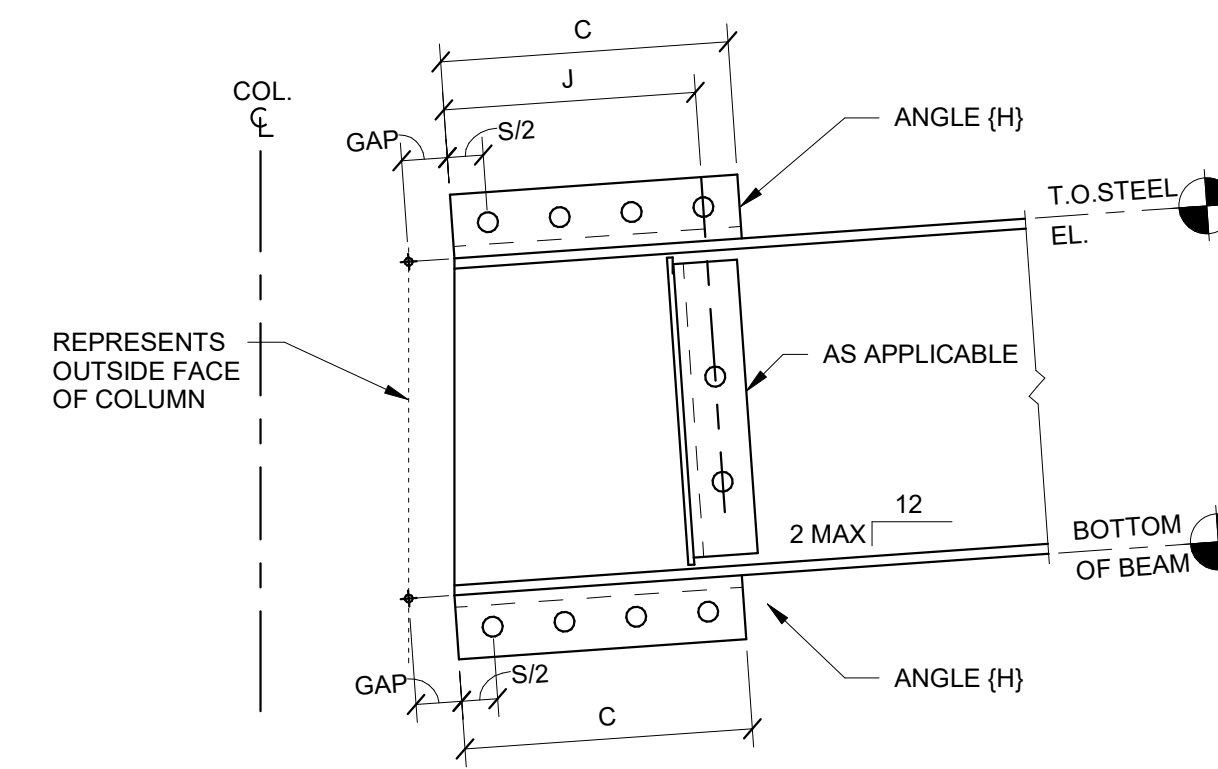
SidePlate Systems, Inc.
 25909 Pala, Suite 200
 Mission Viejo, CA 92691

DATE
 05.07.2024

SHEET TITLE
 SIDEPLATE BEAM
 DETAILS

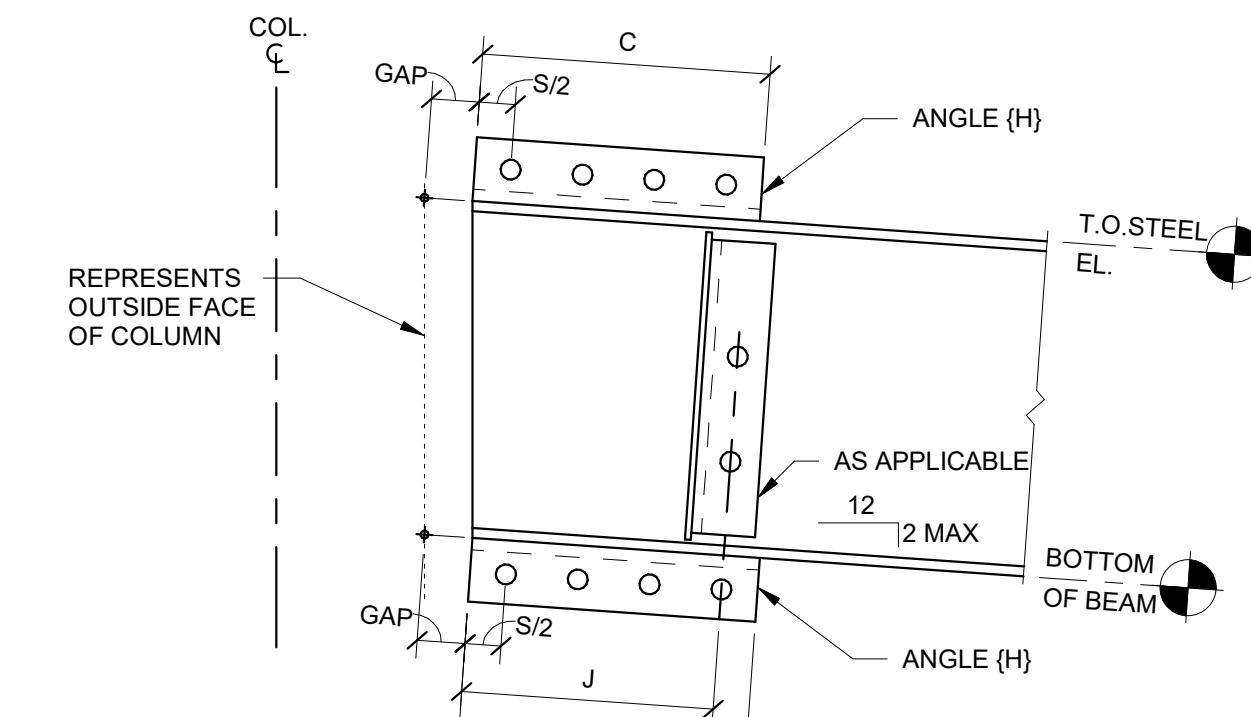
SP107

INTELLECTUAL PROPERTY RIGHTS NOTICE
 The SIDEPLATE® steel frame connection system is covered by one or more of U.S. Pat. Nos. 6,138,427; 6,516,583; 6,591,573; 7,178,296; 8,122,671; 8,146,322; 8,176,706; 8,205,408; and 9,091,065 and foreign counterparts. Other U.S. and foreign applications pending.
 SIDEPLATE® is a registered trademark of Mitek Holdings, Inc., an affiliate of SidePlate Systems, Inc.
 Copyright © 2024 SidePlate Systems, Inc. All rights reserved. Without limitation, this drawing and the information hereon may be used only following payment of a license fee to SidePlate Systems, Inc. and for the design, construction, operation, repair, maintenance, restoration or demolition of the building(s) specifically identified.
 v15.09.06
 MAP 8/2/23



NOTE(S):
 1. FOR BEAM SLOPES GREATER THAN 2 INCHES PER FOOT, CONTACT SIDEPLATE SYSTEMS, INC.

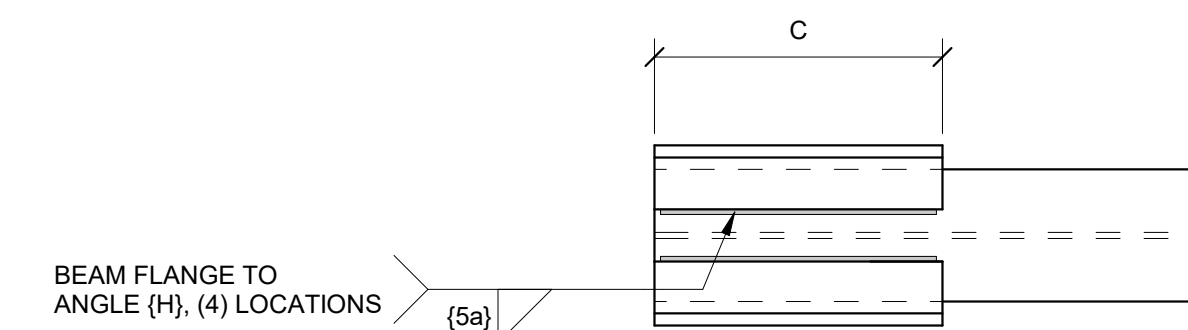
3 SLOPED UP BEAM END (AS APPLICABLE)
 N.T.S.



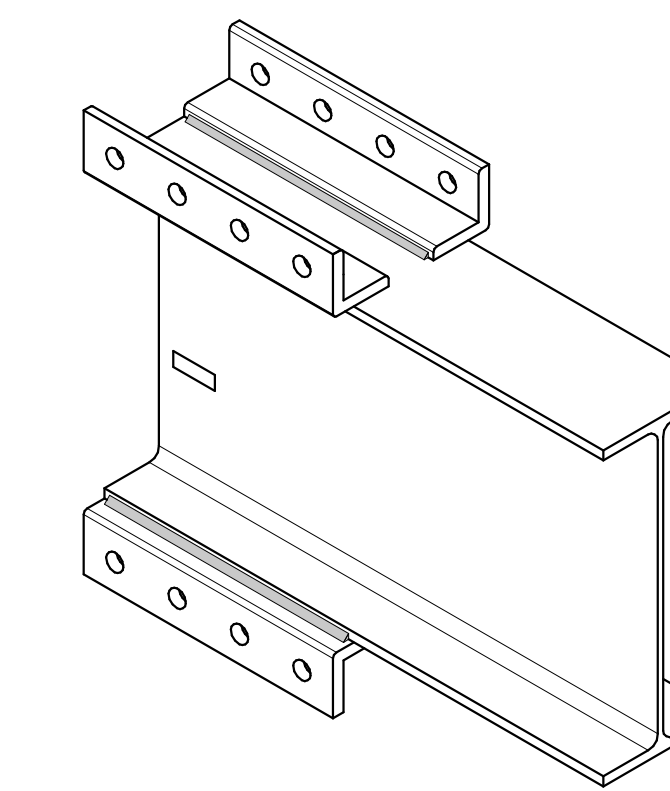
NOTE(S):
 1. FOR BEAM SLOPES GREATER THAN 2 INCHES PER FOOT, CONTACT SIDEPLATE SYSTEMS, INC.

4 SLOPED DOWN BEAM END (AS APPLICABLE)
 N.T.S.

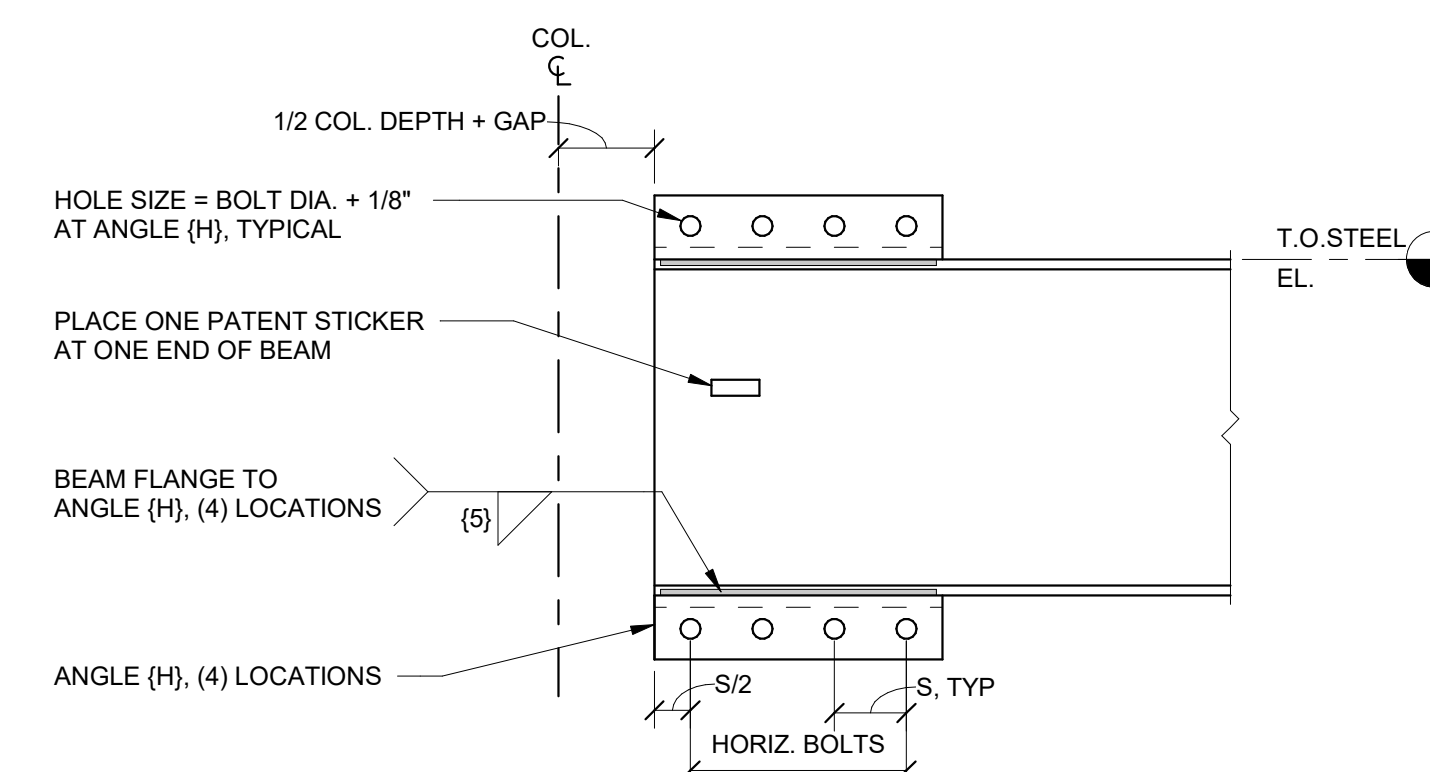
2 NARROW BEAM END SCHEDULE
 N.T.S.



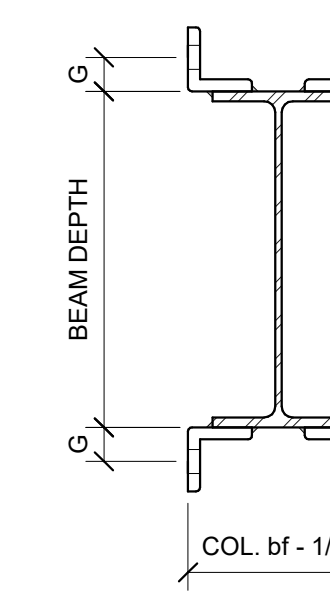
PLAN VIEW



ISOMETRIC VIEW



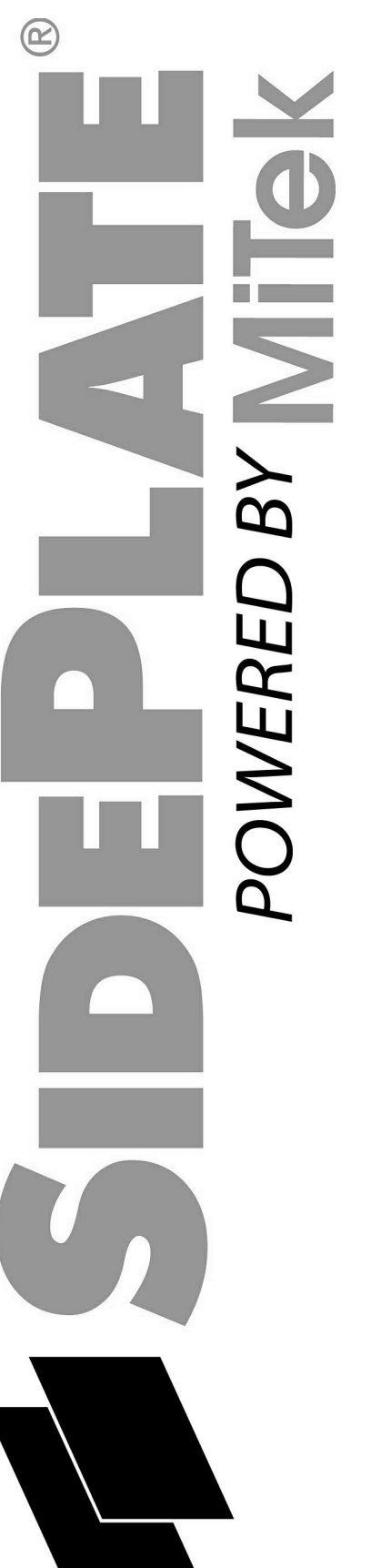
FRONT ELEVATION



SECTION VIEW

1 NARROW BEAM END DETAIL
 N.T.S.

PRELIMINARY DRAWINGS
 NOT FOR CONSTRUCTION



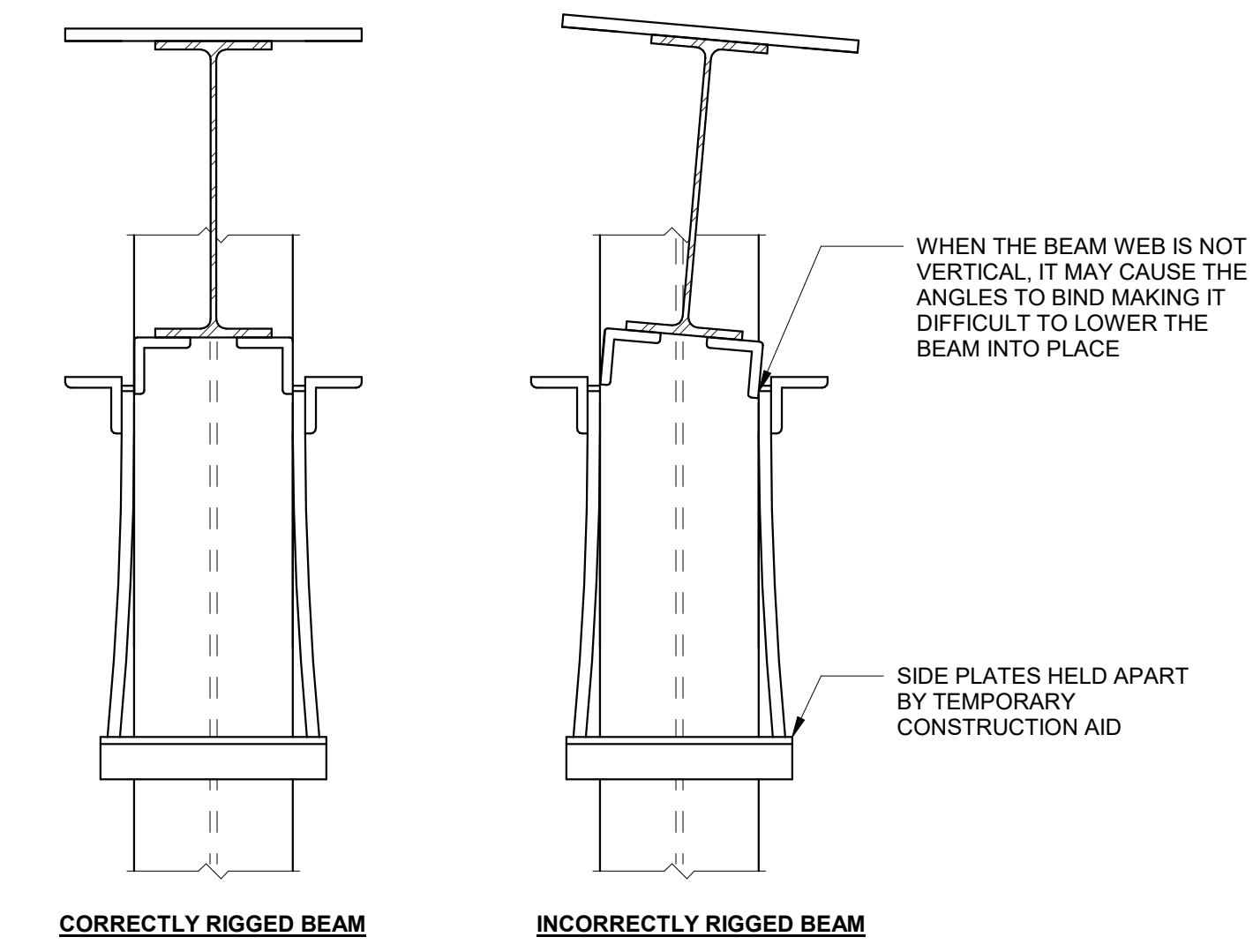
SidePlate Systems, Inc.
 25909 Pala, Suite 200
 Mission Viejo, CA 92691

DATE
 05.07.2024

SHEET TITLE
 SIDEPLATE BEAM
 DETAILS, NARROW

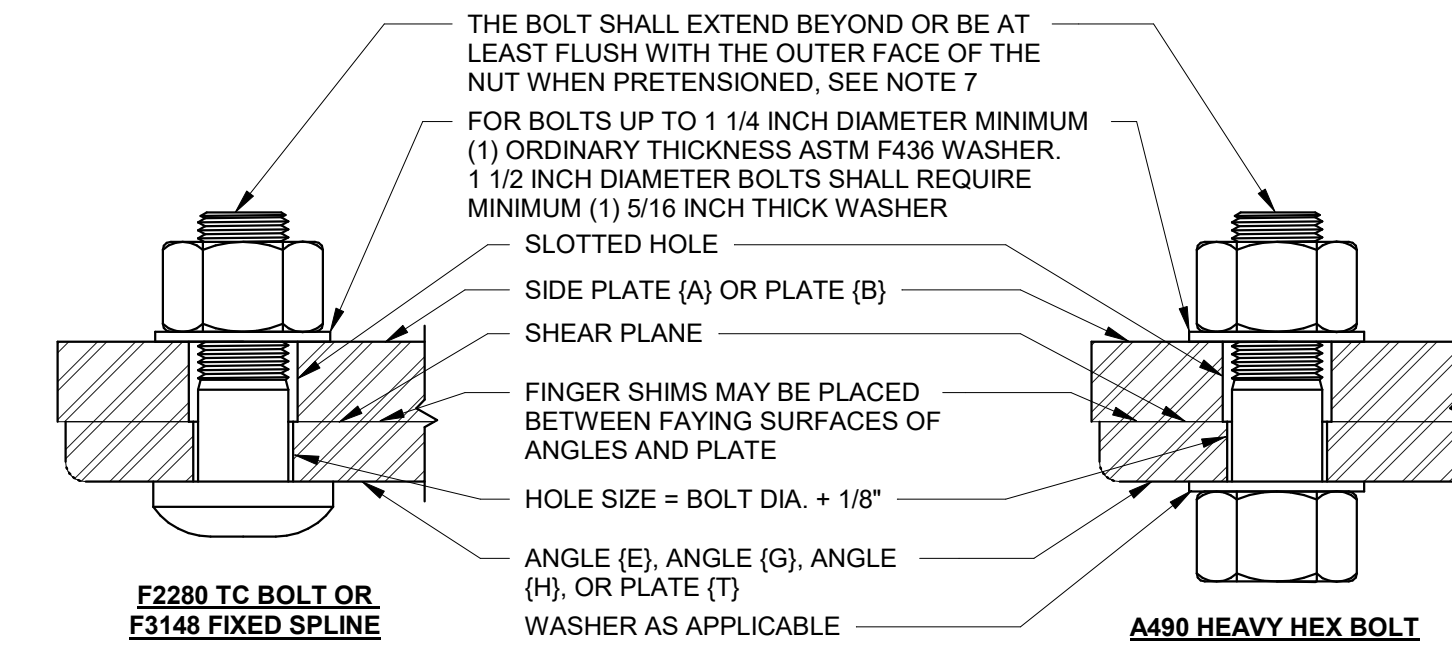
SP108

INTELLECTUAL PROPERTY RIGHTS NOTICE
 The SIDEPLATE® steel frame connection system is covered by one or more of U.S. Pat. Nos. 6,138,427; 6,516,583; 6,591,573; 7,178,296; 8,122,671; 8,122,672; 8,146,322; 8,176,706; 8,205,408; and 9,091,065 and foreign counterparts.
 Other U.S. and foreign applications pending.
 SIDEPLATE® is a registered trademark of MiTek Holdings, Inc., an affiliate of SidePlate Systems, Inc.
 Copyright © 2024 SidePlate Systems, Inc. All rights reserved. Without limitation, this drawing and the information hereon may be used only following payment of a license fee to SidePlate Systems, Inc. and for the design, construction, operation, repair, maintenance, restoration or demolition of the building(s) specifically identified.
 v15.09.06



4 BEAM INSTALLATION DETAIL
 N.T.S.

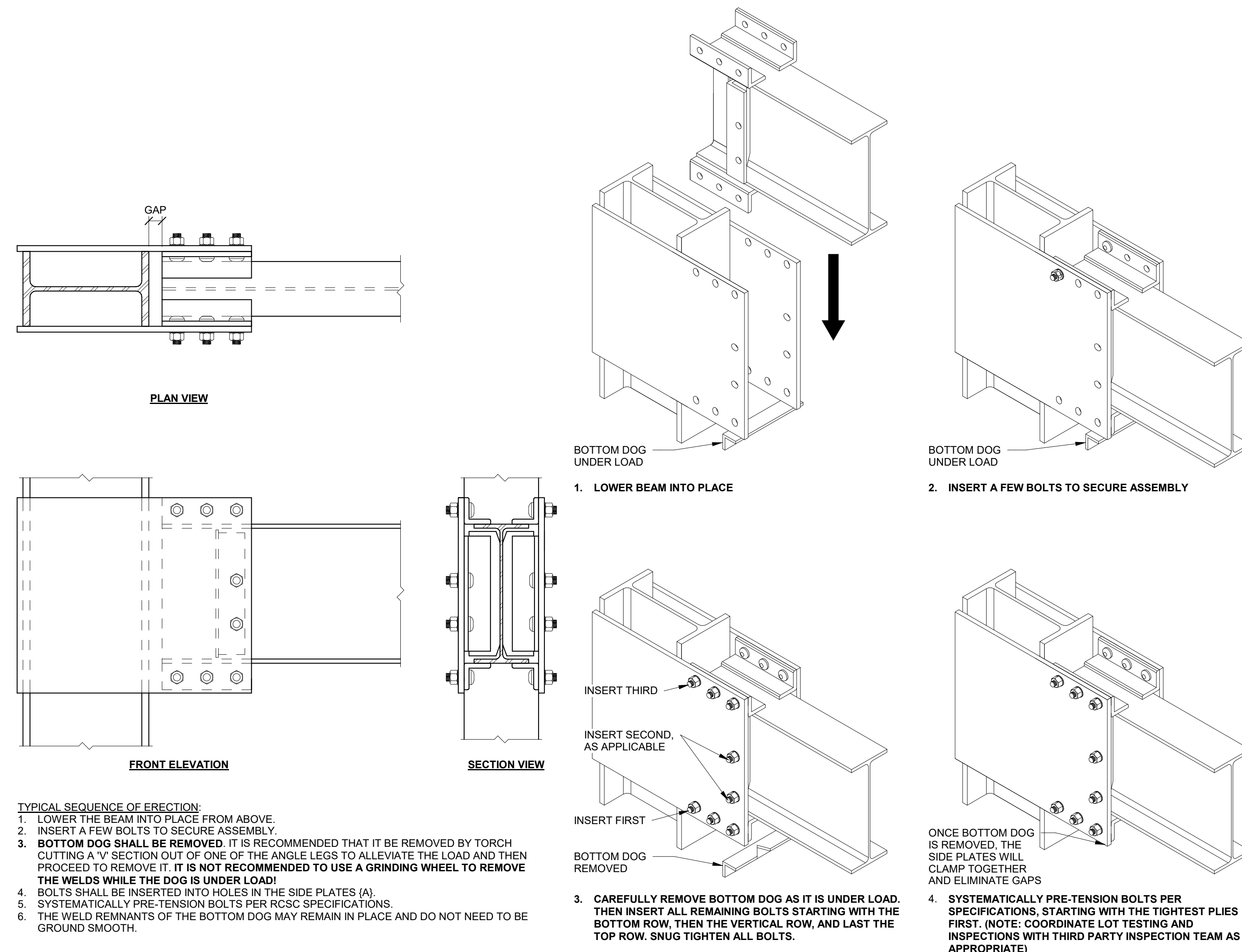
3 BEAM ERECTION SCHEDULE
 N.T.S.



- NOTE(S):
- BOLTS SHALL BE INSTALLED AS SHOWN TO KEEP THREADS OUTSIDE OF SHEAR PLANE.
 - BOLTS SHALL BE SYSTEMATICALLY INSTALLED AS OUTLINED IN THE BOLTING SPECIFICATIONS. FIRST TO A SNUG TIGHT CONDITION, AND THEN PRETENSIONED.
 - USE FINGER SHIMS FOR GAPS GREATER THAN 1/8 INCH UP TO 1/4 INCH. CONTACT SIDEPLATE SYSTEMS, INC. IF GAPS ARE GREATER THAN 1/4 INCH.
 - NUT SHALL BE ASTM A563.
 - THE BOLT/FASTENER ASSEMBLY SHALL BE COVERED IN A LIGHT PROTECTIVE OIL.
 - FOLLOW QUALITY CONTROL SECTION FOR EXPOSURE LIMITATION ON BOLTS/FASTENERS.
 - STEEL DETAILER TO COORDINATE BOLT LENGTHS WITH REQUIRED WASHERS AND POTENTIAL SHIMMING THICKNESS WITH STEEL FABRICATOR.
 - ALL BOLT HOLES SHALL BE ALIGNED TO PERMIT INSERTION OF THE BOLTS WITHOUT UNDUE DAMAGE TO THE THREADS.
 - THE MINIMUM EDGE DISTANCE FROM THE CENTER OF THE HOLE TO THE EDGE OF THE CONNECTED PART IS PERMITTED TO BE LESS THAN THE MINIMUM EDGE DISTANCE PRESCRIBED BY AISC TABLE J3.4 FOR EACH BOLT DIAMETER, BUT SHALL NOT BE LESS THAN ONE BOLT DIAMETER.
 - BOLT ORIENTATION IS PERMITTED TO BE FLIPPED IF THE FOLLOWING CONDITIONS ARE MET: A. IF A HEAVY HEX BOLT IS USED, AN ADDITIONAL WASHER ON THE SLOTTED HOLE SIDE IS REQUIRED. VERIFY THREAD ARE EXCLUDED FROM THE SHEAR PLANE. B. IF A TC BOLT IS USED, NO ADDITIONAL WASHER IS REQUIRED. VERIFY THREADS ARE EXCLUDED FROM THE SHEAR PLANE.
 - WHEN USING DIRECT TENSION INDICATORS (DTI) FOR PRETENSIONING, VERIFY IF ADDITIONAL WASHER IS REQUIRED TO ENSURE DTI CAN WORK EFFECTIVELY WHEN PRETENSIONED.

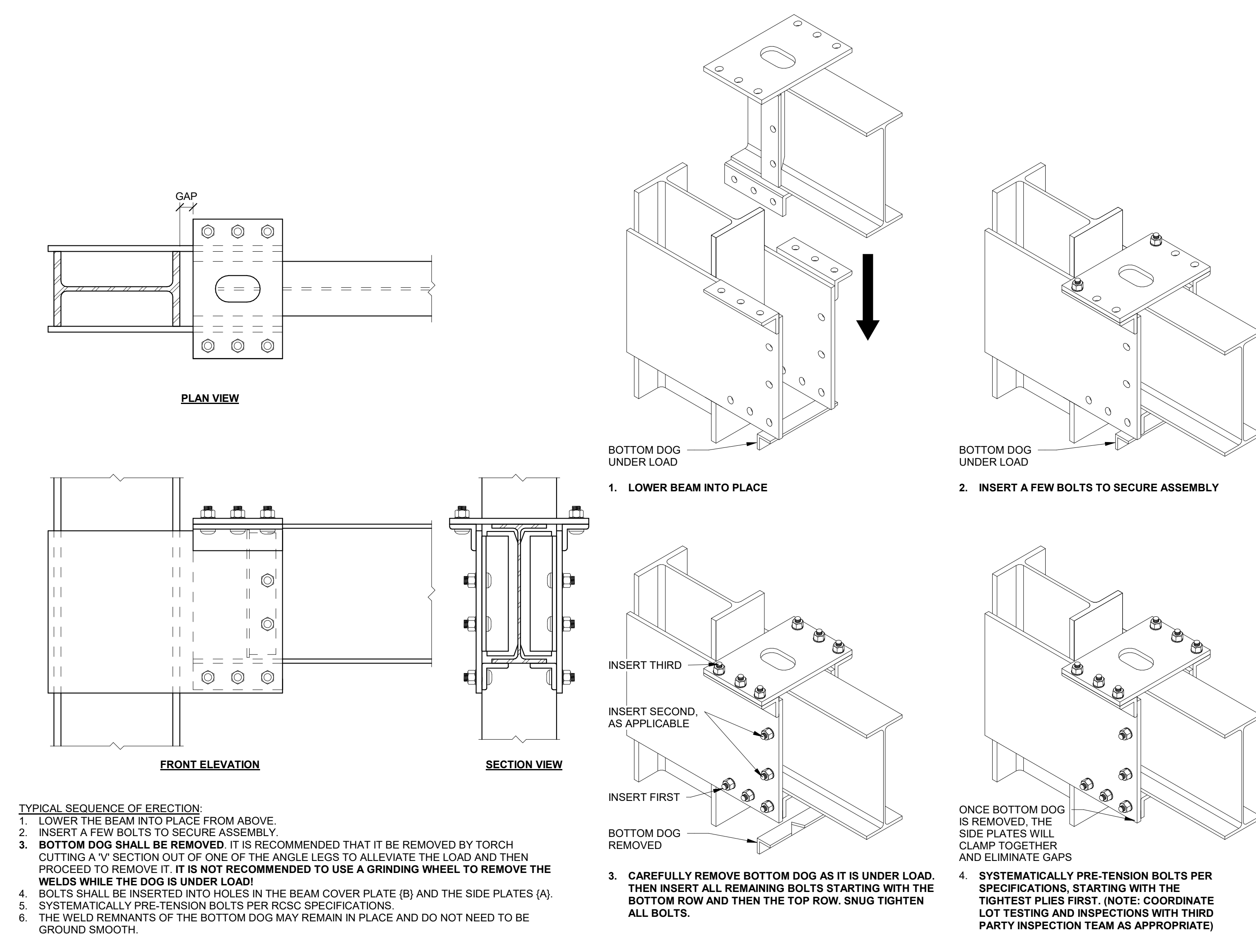
2 FIELD BOLTING DETAIL
 N.T.S.

6 NARROW BEAM ERECTION SCHEDULE
 N.T.S.



- TYPICAL SEQUENCE OF ERECTION:
- LOWER THE BEAM INTO PLACE FROM ABOVE.
 - INSERT A FEW BOLTS TO SECURE ASSEMBLY.
 - BOTTOM DOG SHALL BE REMOVED. IT IS RECOMMENDED THAT IT BE REMOVED BY TORCH CUTTING A V SECTION OUT OF ONE OF THE ANGLE LEGS TO ALLEVIATE THE LOAD AND THEN PROCEED TO REMOVE IT. IT IS NOT RECOMMENDED TO USE A GRINDING WHEEL TO REMOVE THE WELDS WHILE THE DOG IS UNDER LOAD!
 - BOLTS SHALL BE INSERTED INTO HOLES IN THE SIDE PLATES (A).
 - SYSTEMATICALLY PRE-TENSION BOLTS PER RCSC SPECIFICATIONS.
 - THE WELD REMNANTS OF THE BOTTOM DOG MAY REMAIN IN PLACE AND DO NOT NEED TO BE GROUND SMOOTH.

5 NARROW BEAM ERECTION DETAIL
 N.T.S.



- TYPICAL SEQUENCE OF ERECTION:
- LOWER THE BEAM INTO PLACE FROM ABOVE.
 - INSERT A FEW BOLTS TO SECURE ASSEMBLY.
 - BOTTOM DOG SHALL BE REMOVED. IT IS RECOMMENDED THAT IT BE REMOVED BY TORCH CUTTING A V SECTION OUT OF ONE OF THE ANGLE LEGS TO ALLEVIATE THE LOAD AND THEN PROCEED TO REMOVE IT. IT IS NOT RECOMMENDED TO USE A GRINDING WHEEL TO REMOVE THE WELDS WHILE THE DOG IS UNDER LOAD!
 - BOLTS SHALL BE INSERTED INTO HOLES IN THE BEAM COVER PLATE (B) AND THE SIDE PLATES (A).
 - SYSTEMATICALLY PRE-TENSION BOLTS PER RCSC SPECIFICATIONS.
 - THE WELD REMNANTS OF THE BOTTOM DOG MAY REMAIN IN PLACE AND DO NOT NEED TO BE GROUND SMOOTH.

1 BEAM ERECTION DETAIL
 N.T.S.

PRELIMINARY DRAWINGS
 NOT FOR CONSTRUCTION

SIDEPLATE
 POWERED BY MiTek

SidePlate Systems, Inc.
 25909 Pala, Suite 200
 Mission Viejo, CA 92691

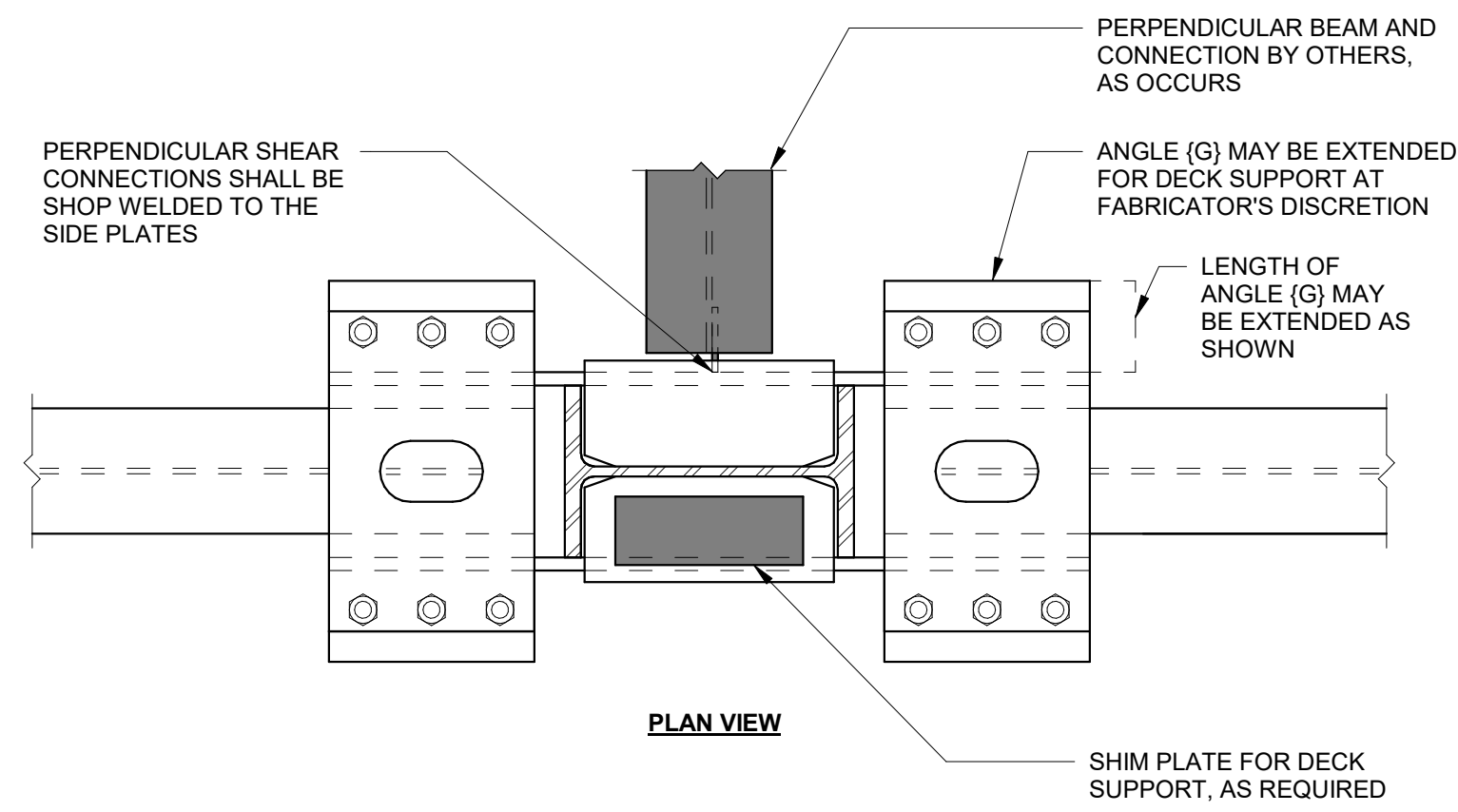
DATE
 05.07.2024

SHEET TITLE

SIDEPLATE FIELD
 ERECTION DETAILS

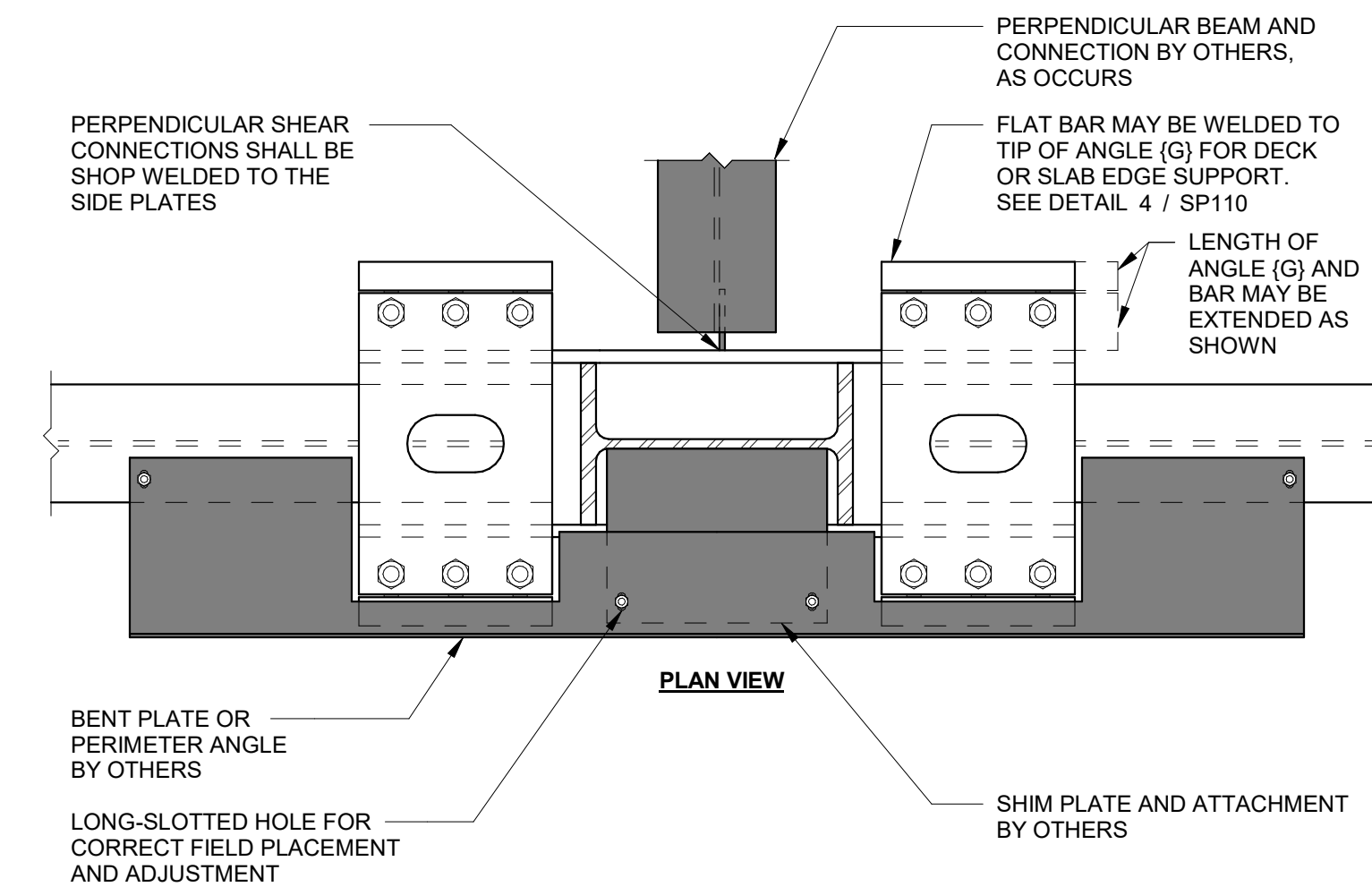
SP109

INTELLECTUAL PROPERTY RIGHTS NOTICE
 The SIDEPLATE® steel frame connection system is covered by one or more of U.S. Pat. Nos. 6,138,427; 6,516,583; 6,591,573; 7,178,296; 8,122,671; 8,122,672; 8,146,322; 8,176,706; 8,205,408; and 9,091,065 and foreign counterparts.
 Other U.S. and foreign applications pending.
 SIDEPLATE® is a registered trademark of MiTek Holdings, Inc., an affiliate of SidePlate Systems, Inc.
 Copyright © 2024 SidePlate Systems, Inc. All rights reserved. Without limitation, this drawing and the information hereon may be used only following payment of a license fee to SidePlate Systems, Inc. and for the design, construction, operation, repair, maintenance, restoration or demolition of the building(s) specifically identified.
 v15.09.06 MPE/EST/ED



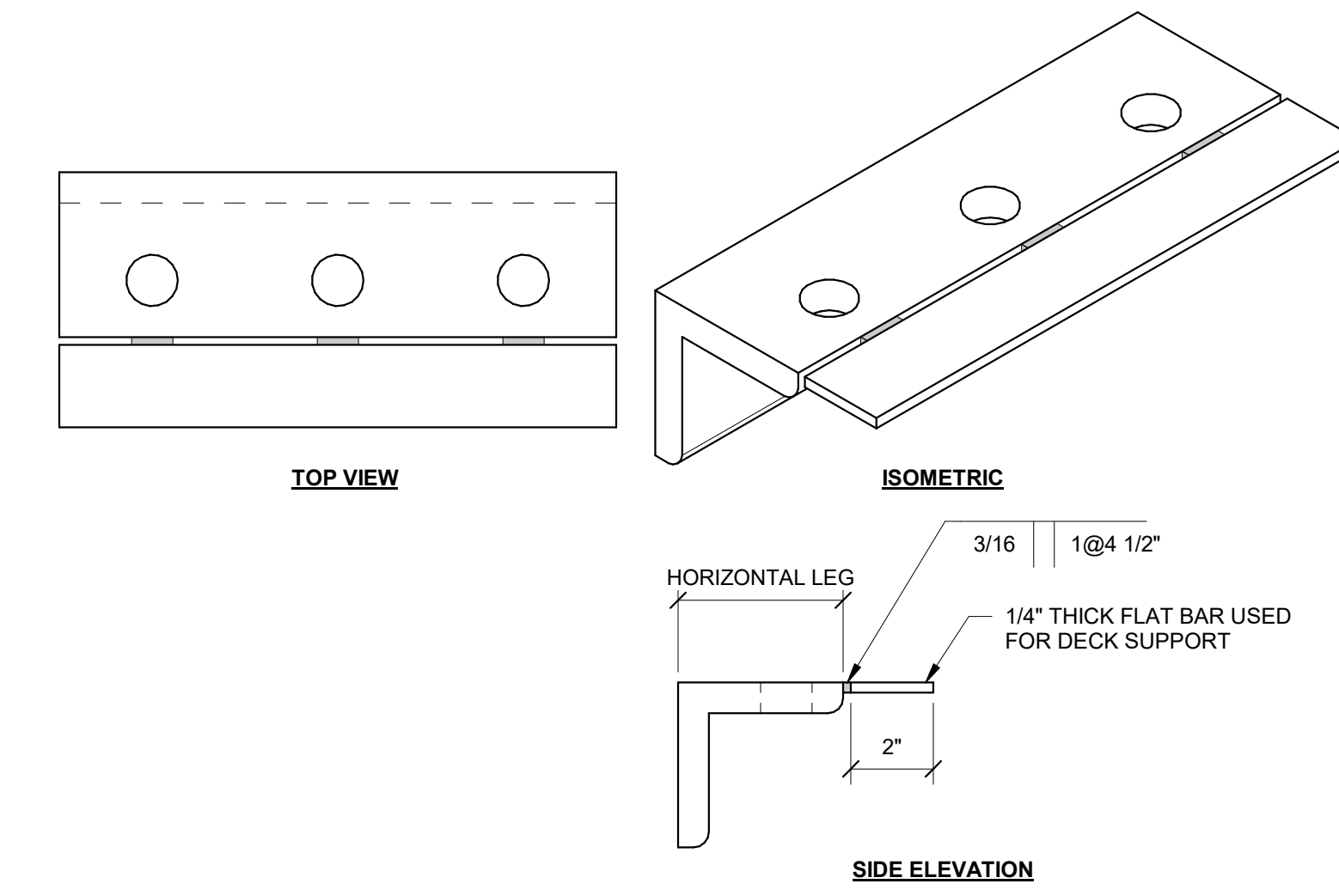
NOTE(S):
 1. THE STEEL DETAILER SHOULD CONFIRM AND COORDINATE WITH THE GENERAL CONTRACTOR AND/OR STEEL FABRICATOR WHICH PREFERRED OPTION OR PROJECT SPECIFIC CRITERIA TO USE FOR THE DECK SUPPORT.

12 (OPTIONAL) DECK SUPPORT DETAIL
 N.T.S.



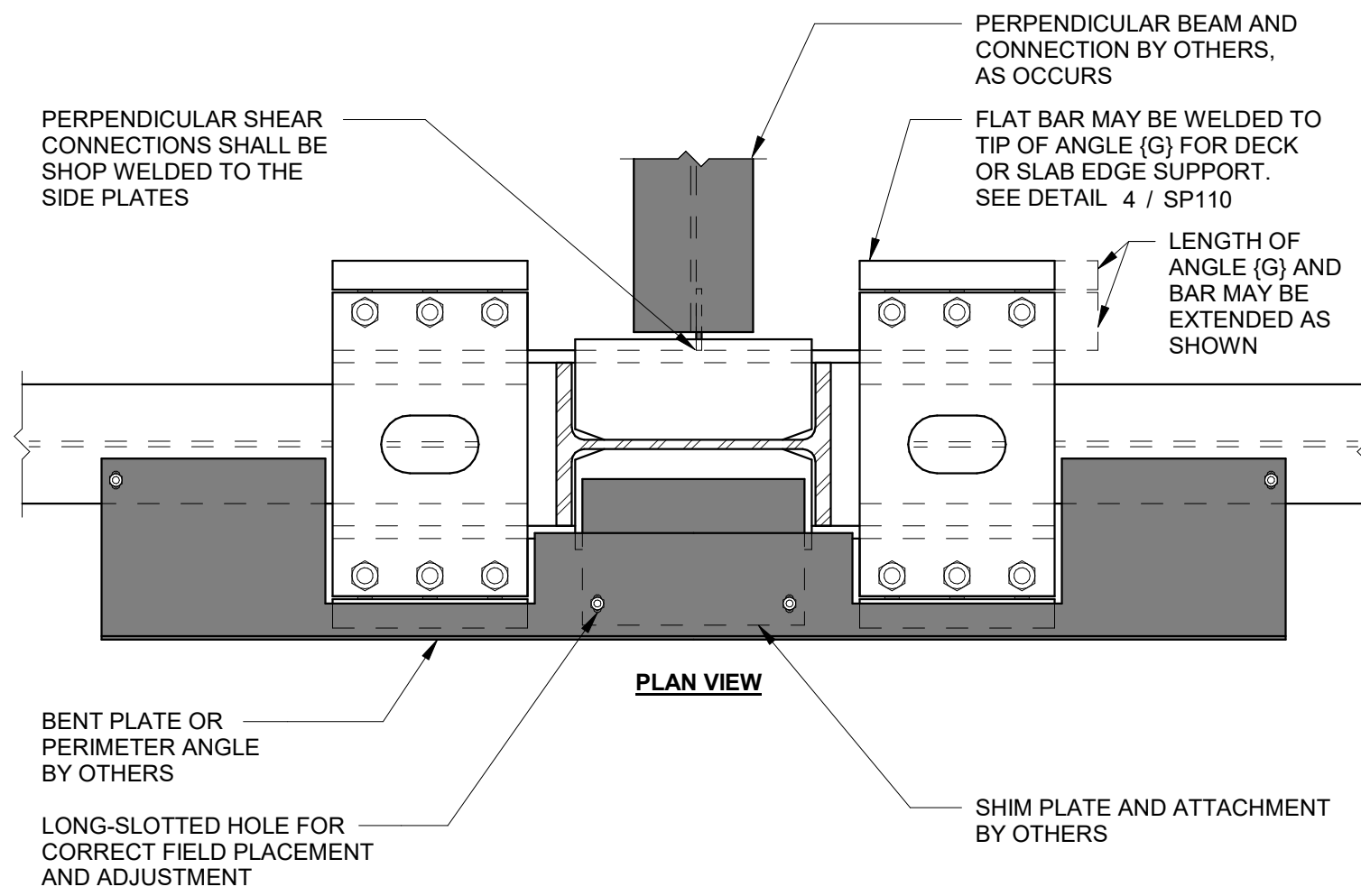
NOTE(S):
 1. THE STEEL DETAILER SHOULD CONFIRM AND COORDINATE WITH THE GENERAL CONTRACTOR AND/OR STEEL FABRICATOR WHICH PREFERRED OPTION OR PROJECT SPECIFIC CRITERIA TO USE FOR THE DECK SUPPORT.

8 (OPTIONAL) WELDED FLAT BAR FOR SLAB EDGE SUPPORT DETAIL
 N.T.S.



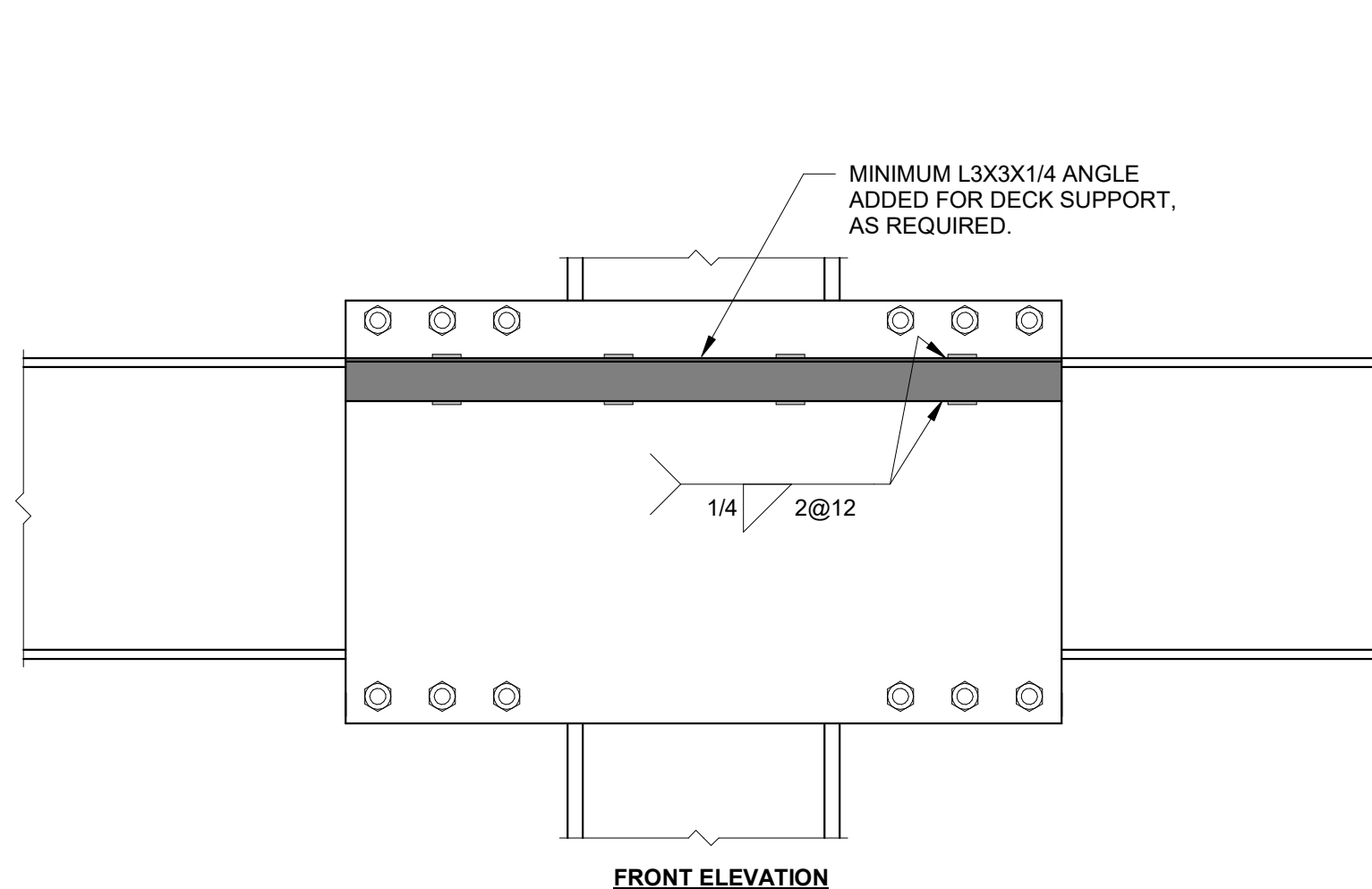
NOTE(S):
 1. THE STEEL DETAILER SHOULD CONFIRM AND COORDINATE WITH THE GENERAL CONTRACTOR AND/OR STEEL FABRICATOR WHICH PREFERRED OPTION OR PROJECT SPECIFIC CRITERIA TO USE FOR THE DECK SUPPORT.

4 (OPTIONAL) WELDED FLAT BAR TO ANGLE (G) FOR DECK SUPPORT
 N.T.S.



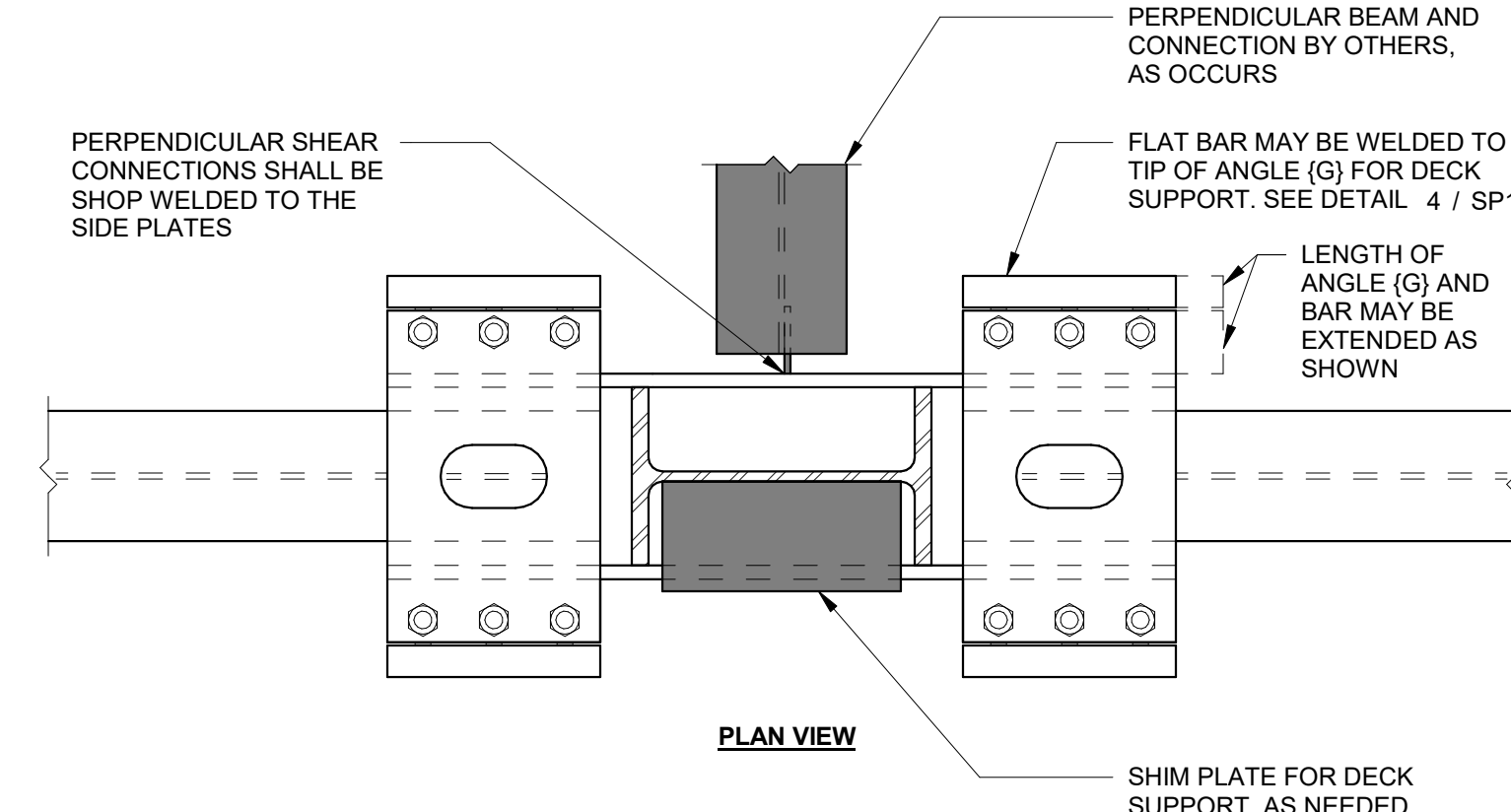
NOTE(S):
 1. THE STEEL DETAILER SHOULD CONFIRM AND COORDINATE WITH THE GENERAL CONTRACTOR AND/OR STEEL FABRICATOR WHICH PREFERRED OPTION OR PROJECT SPECIFIC CRITERIA TO USE FOR THE DECK SUPPORT.

15 (OPTIONAL) WELDED FLAT BAR FOR SLAB EDGE SUPPORT DETAIL
 N.T.S.



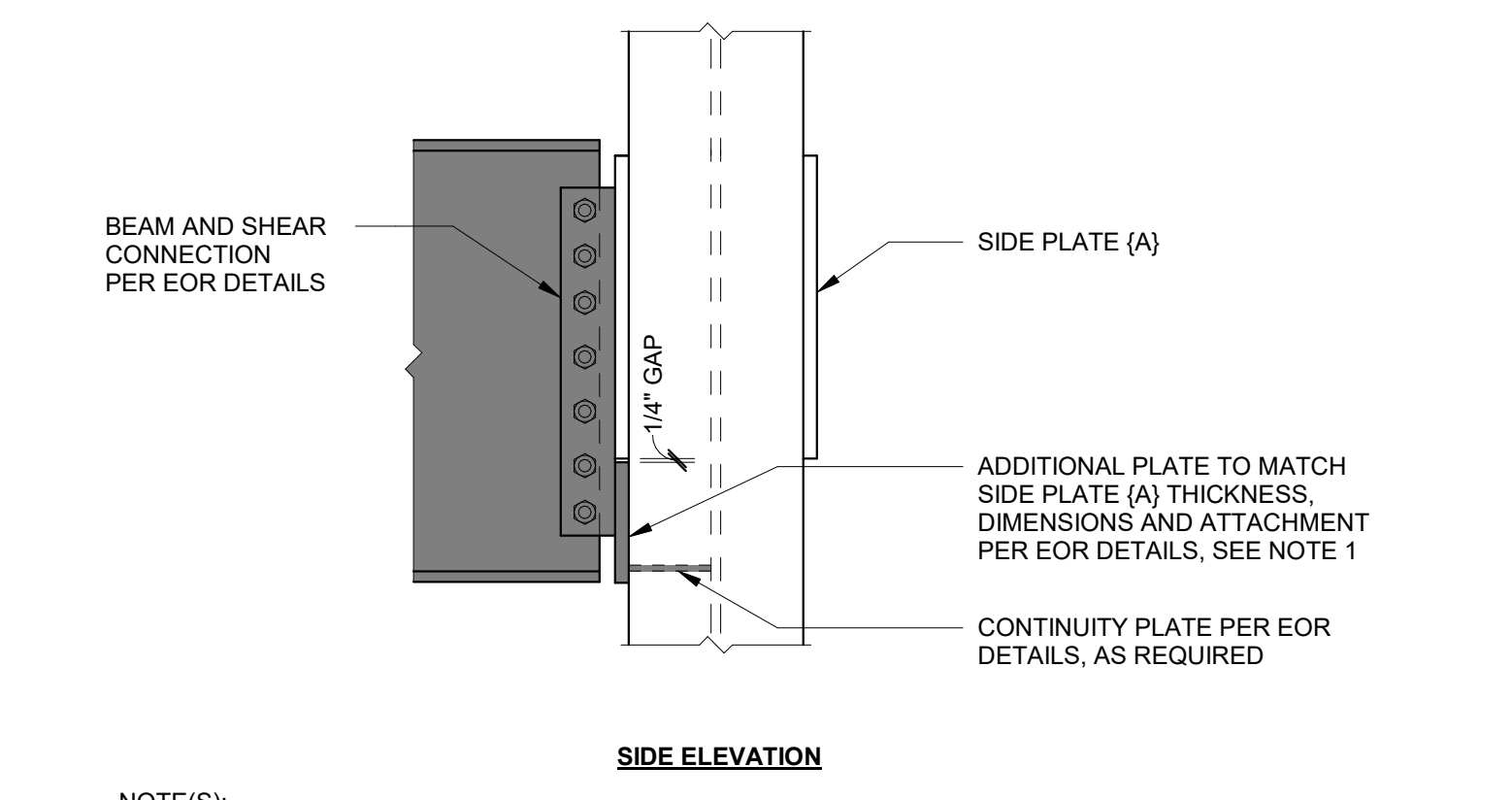
NOTE(S):
 1. THE STEEL DETAILER SHOULD CONFIRM AND COORDINATE WITH THE GENERAL CONTRACTOR AND/OR STEEL FABRICATOR WHICH PREFERRED OPTION OR PROJECT SPECIFIC CRITERIA TO USE FOR THE DECK SUPPORT.

11 (OPTIONAL) DECK SUPPORT ANGLE DETAIL
 N.T.S.



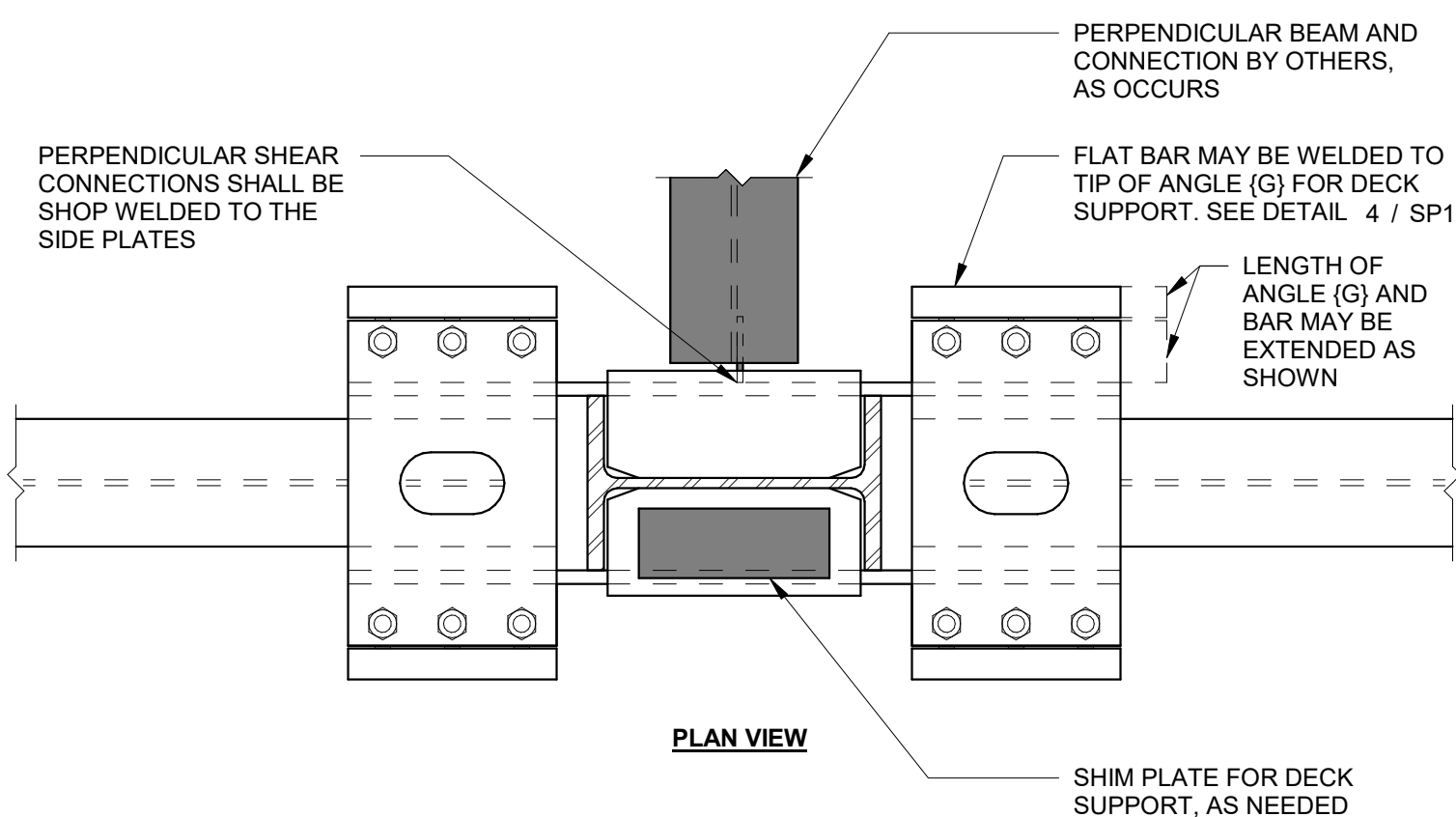
NOTE(S):
 1. THE STEEL DETAILER SHOULD CONFIRM AND COORDINATE WITH THE GENERAL CONTRACTOR AND/OR STEEL FABRICATOR WHICH PREFERRED OPTION OR PROJECT SPECIFIC CRITERIA TO USE FOR THE DECK SUPPORT.

7 (OPTIONAL) WELDED FLAT BAR DECK SUPPORT DETAIL
 N.T.S.



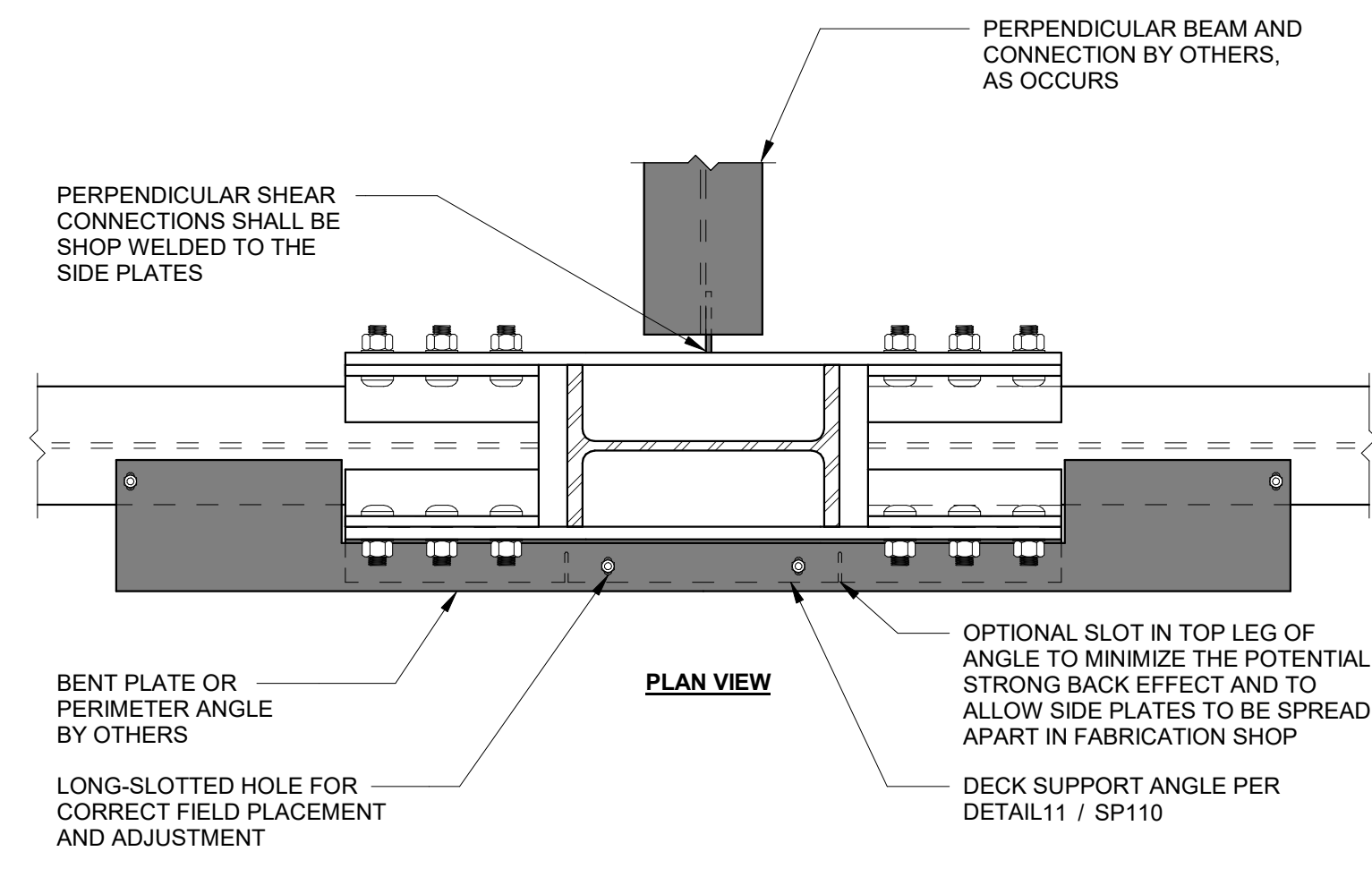
NOTE(S):
 1. PLATE SHALL BE A572 GRADE 50. NO WELD TIE-IN ACROSS 1/4 INCH GAP.
 2. LONGITUDINAL ANGLES (G) NOT SHOWN FOR CLARITY.
 3. SEE SCHEDULE FOR INFORMATION NOT SHOWN.

3 DEEP SHEAR CONNECTION TO SIDEPLATE CONNECTION (AS APPLICABLE)
 N.T.S.



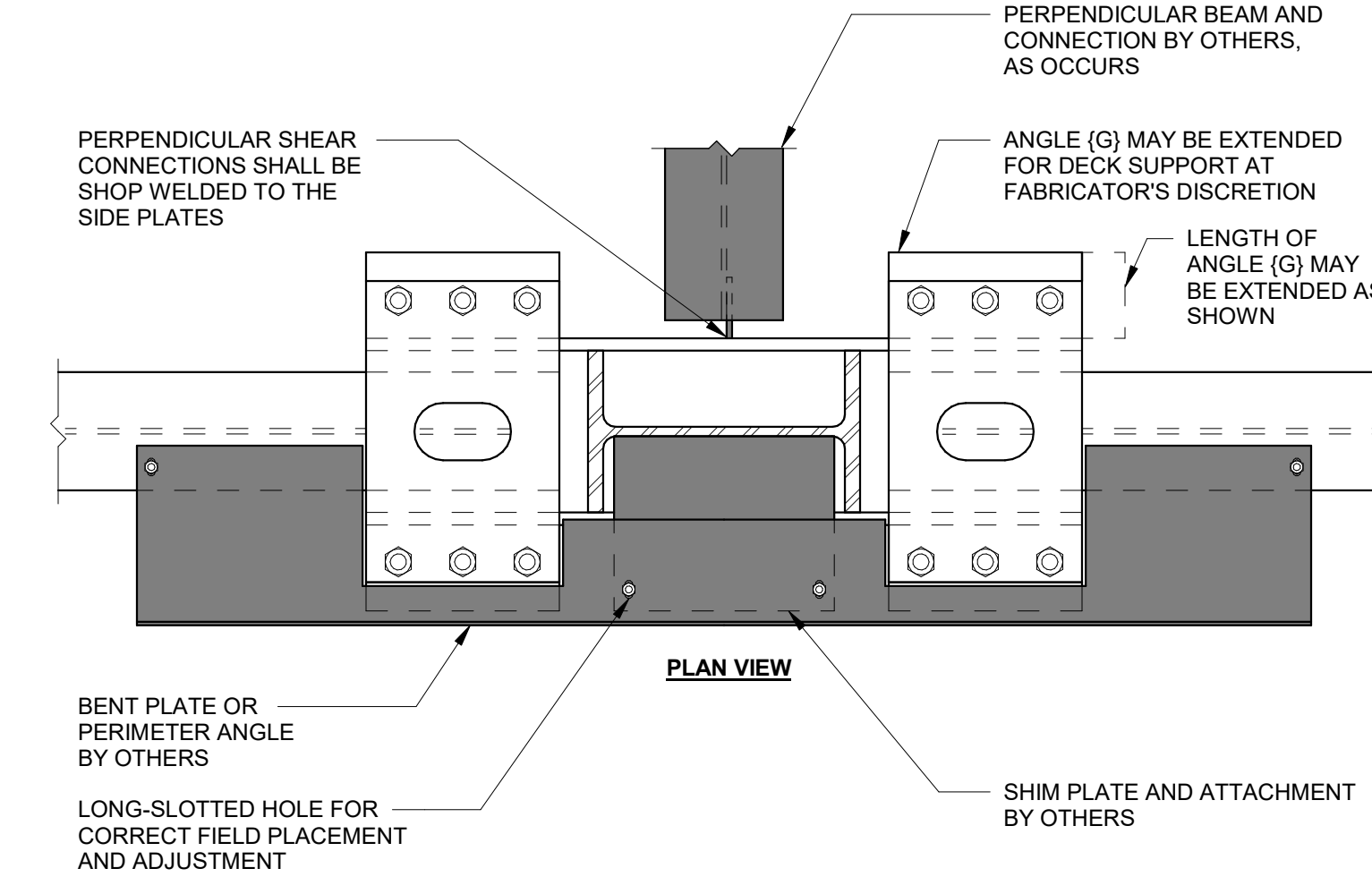
NOTE(S):
 1. THE STEEL DETAILER SHOULD CONFIRM AND COORDINATE WITH THE GENERAL CONTRACTOR AND/OR STEEL FABRICATOR WHICH PREFERRED OPTION OR PROJECT SPECIFIC CRITERIA TO USE FOR THE DECK SUPPORT.

14 (OPTIONAL) WELDED FLAT BAR DECK SUPPORT DETAIL
 N.T.S.



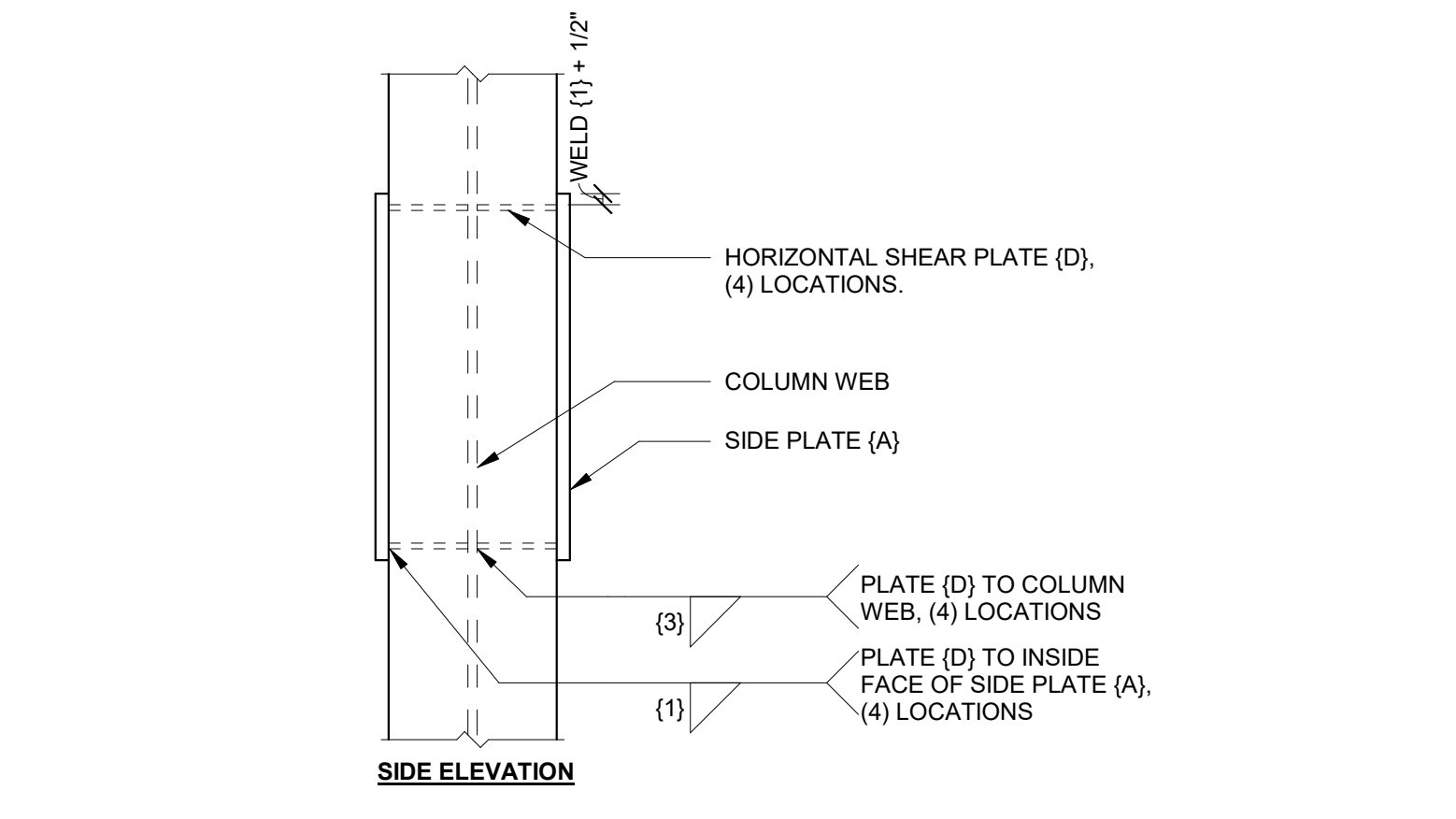
NOTE(S):
 1. THE STEEL DETAILER SHOULD CONFIRM AND COORDINATE WITH THE GENERAL CONTRACTOR AND/OR STEEL FABRICATOR WHICH PREFERRED OPTION OR PROJECT SPECIFIC CRITERIA TO USE FOR THE DECK SUPPORT.

10 (OPTIONAL) NARROW CONFIGURATION SLAB EDGE DETAIL
 N.T.S.



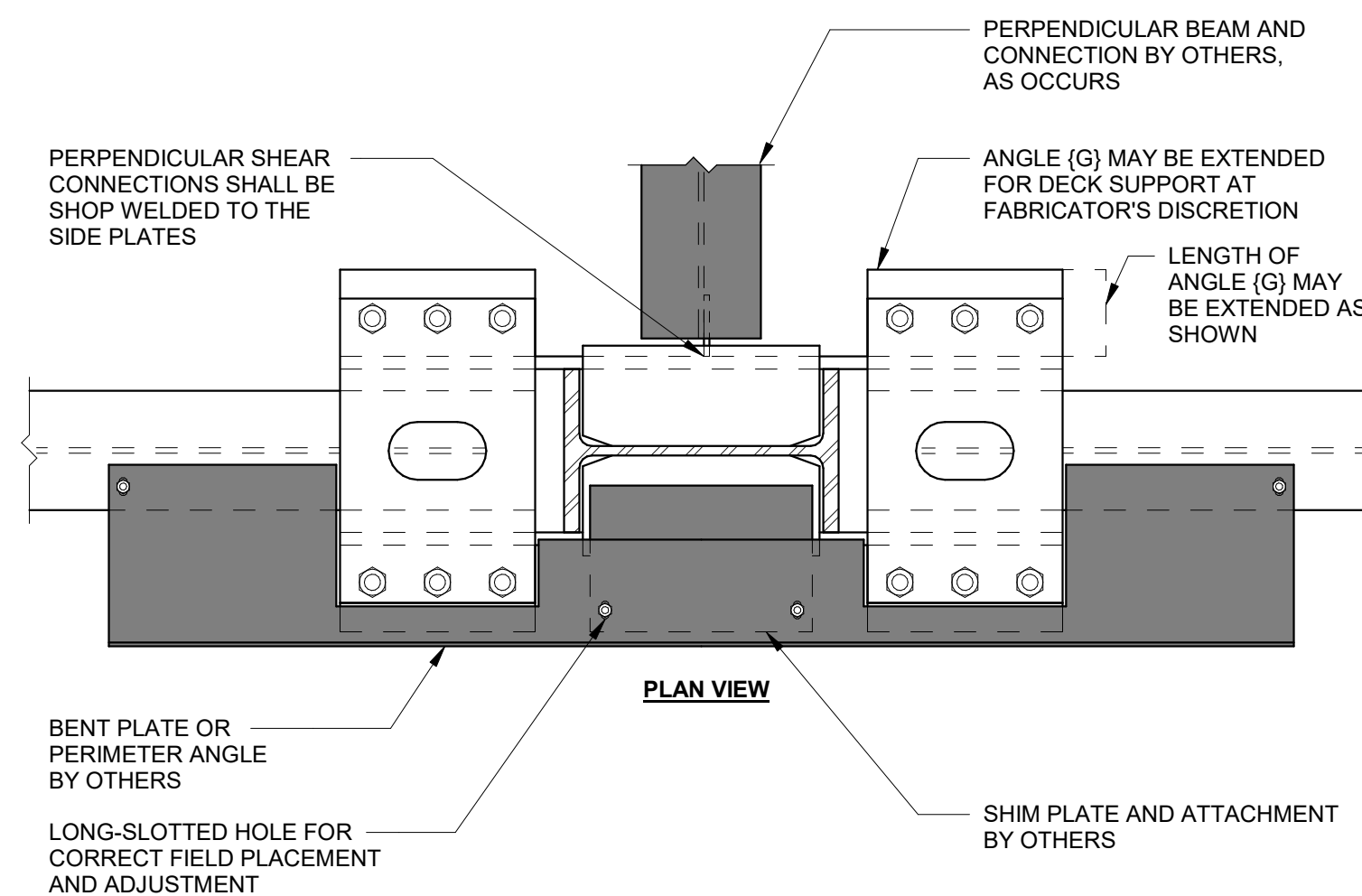
NOTE(S):
 1. THE STEEL DETAILER SHOULD CONFIRM AND COORDINATE WITH THE GENERAL CONTRACTOR AND/OR STEEL FABRICATOR WHICH PREFERRED OPTION OR PROJECT SPECIFIC CRITERIA TO USE FOR THE DECK SUPPORT.

6 (OPTIONAL) SLAB EDGE DETAIL
 N.T.S.



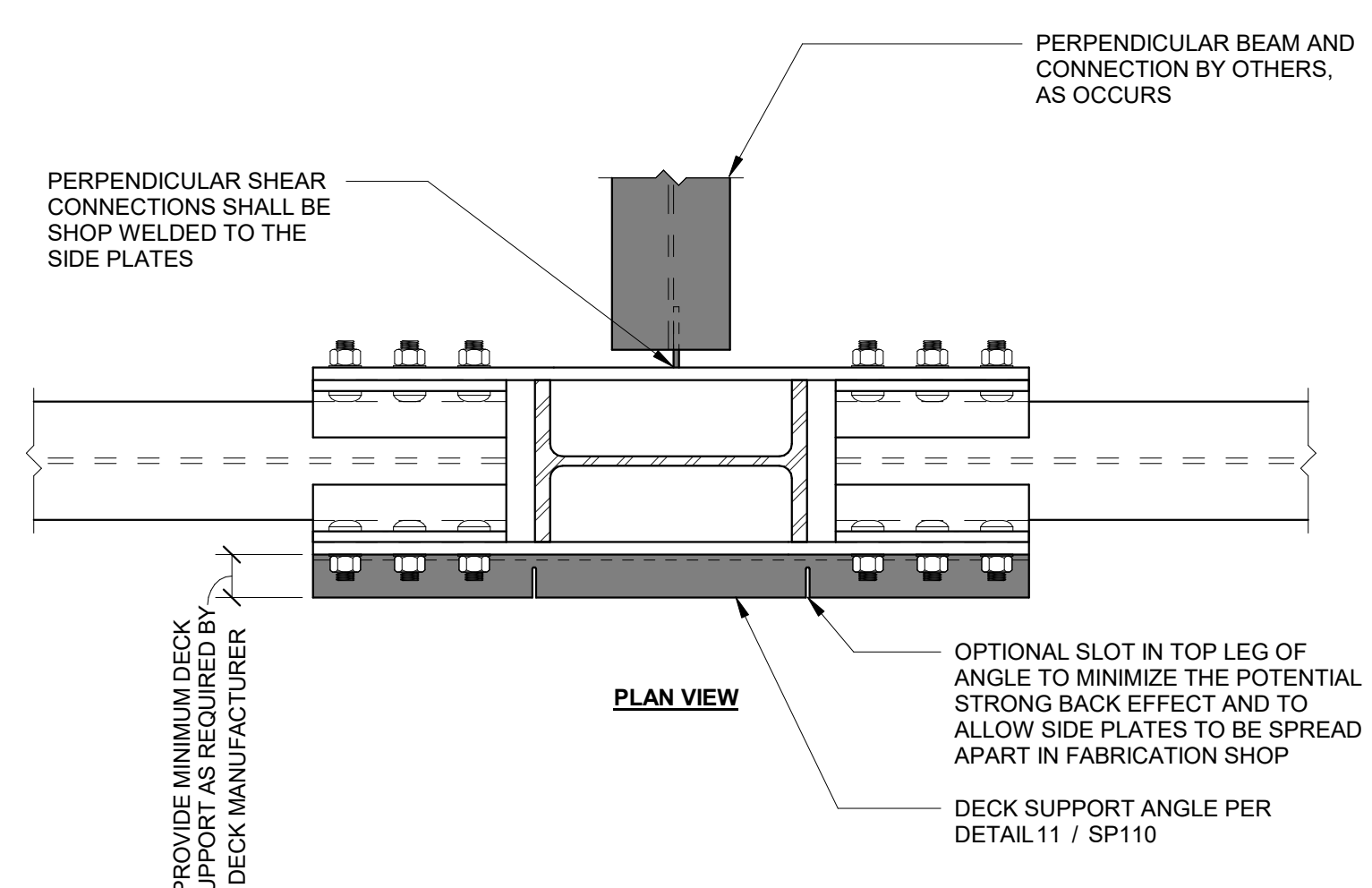
NOTE(S):
 1. LONGITUDINAL ANGLES (G) NOT SHOWN FOR CLARITY.

2 PLATE (D) ALTERNATE DETAIL
 N.T.S.



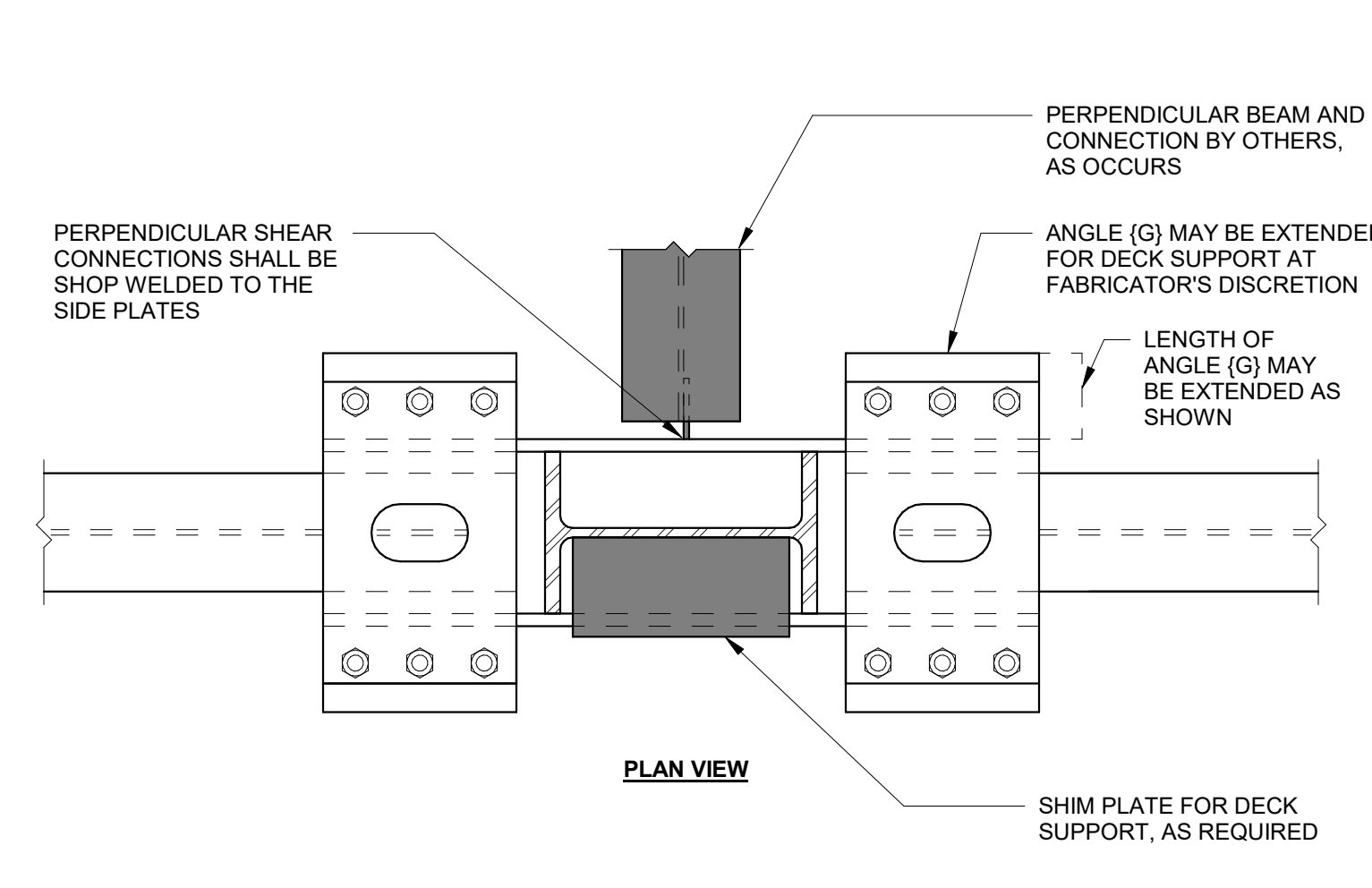
NOTE(S):
 1. THE STEEL DETAILER SHOULD CONFIRM AND COORDINATE WITH THE GENERAL CONTRACTOR AND/OR STEEL FABRICATOR WHICH PREFERRED OPTION OR PROJECT SPECIFIC CRITERIA TO USE FOR THE DECK SUPPORT.

13 (OPTIONAL) SLAB EDGE DETAIL
 N.T.S.



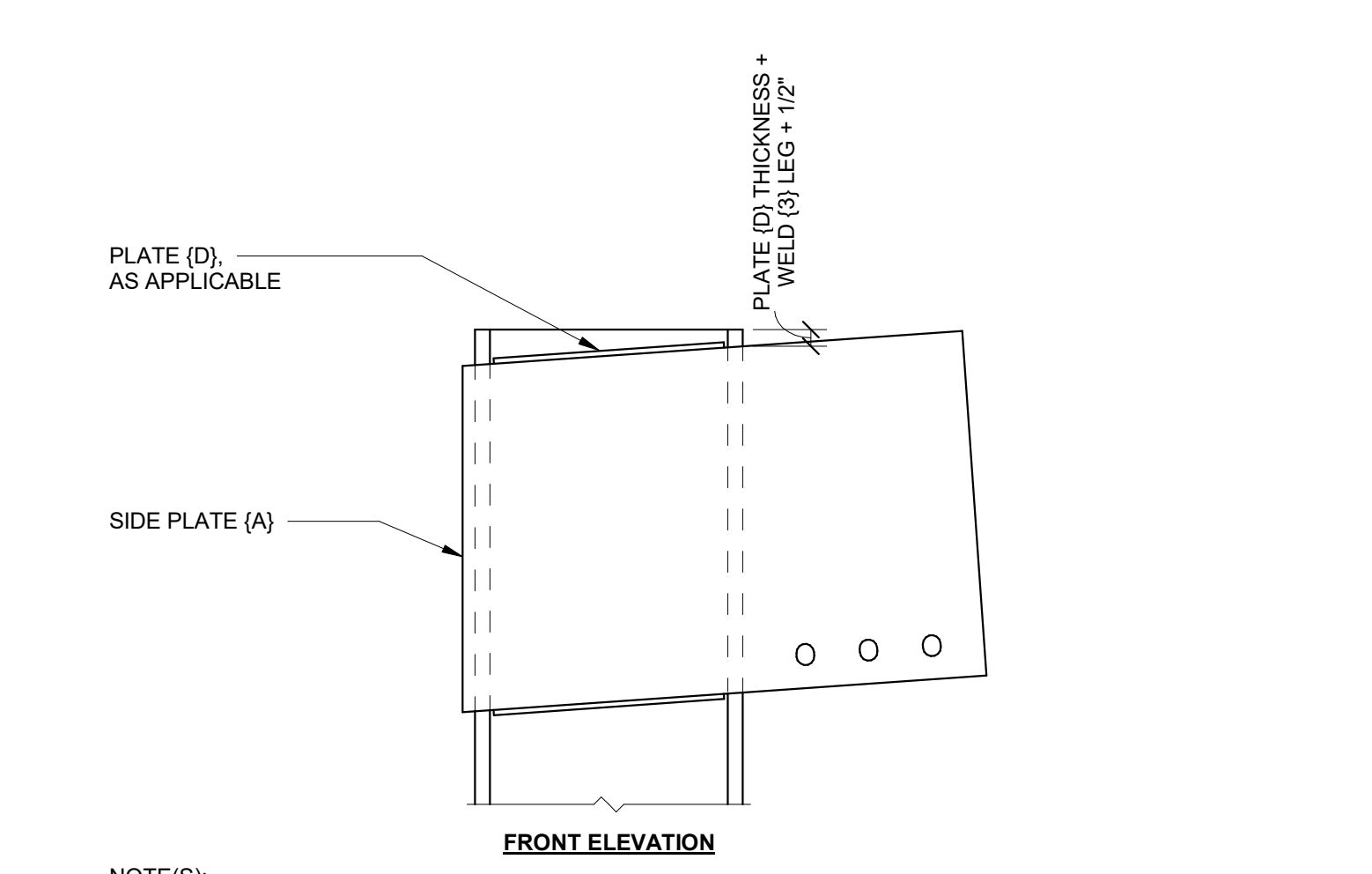
NOTE(S):
 1. THE STEEL DETAILER SHOULD CONFIRM AND COORDINATE WITH THE GENERAL CONTRACTOR AND/OR STEEL FABRICATOR WHICH PREFERRED OPTION OR PROJECT SPECIFIC CRITERIA TO USE FOR THE DECK SUPPORT.

9 (OPTIONAL) NARROW CONFIGURATION DECK SUPPORT DETAIL
 N.T.S.



NOTE(S):
 1. THE STEEL DETAILER SHOULD CONFIRM AND COORDINATE WITH THE GENERAL CONTRACTOR AND/OR STEEL FABRICATOR WHICH PREFERRED OPTION OR PROJECT SPECIFIC CRITERIA TO USE FOR THE DECK SUPPORT.

5 (OPTIONAL) DECK SUPPORT DETAIL
 N.T.S.



NOTE(S):
 1. SLOPED CONDITION SHOWN, CONNECTION MAY BE FLAT.
 2. LONGITUDINAL ANGLES (G) NOT SHOWN FOR CLARITY.

1 DISCONTINUOUS COLUMN DETAIL
 N.T.S.

PRELIMINARY DRAWINGS
 NOT FOR CONSTRUCTION

SIDEPLATE
 POWERED BY MiTek

SidePlate Systems, Inc.
 25909 Pala, Suite 200
 Mission Viejo, CA 92691

DATE
 05.07.2024

SHEET TITLE

SIDEPLATE
 COORDINATION
 ITEMS

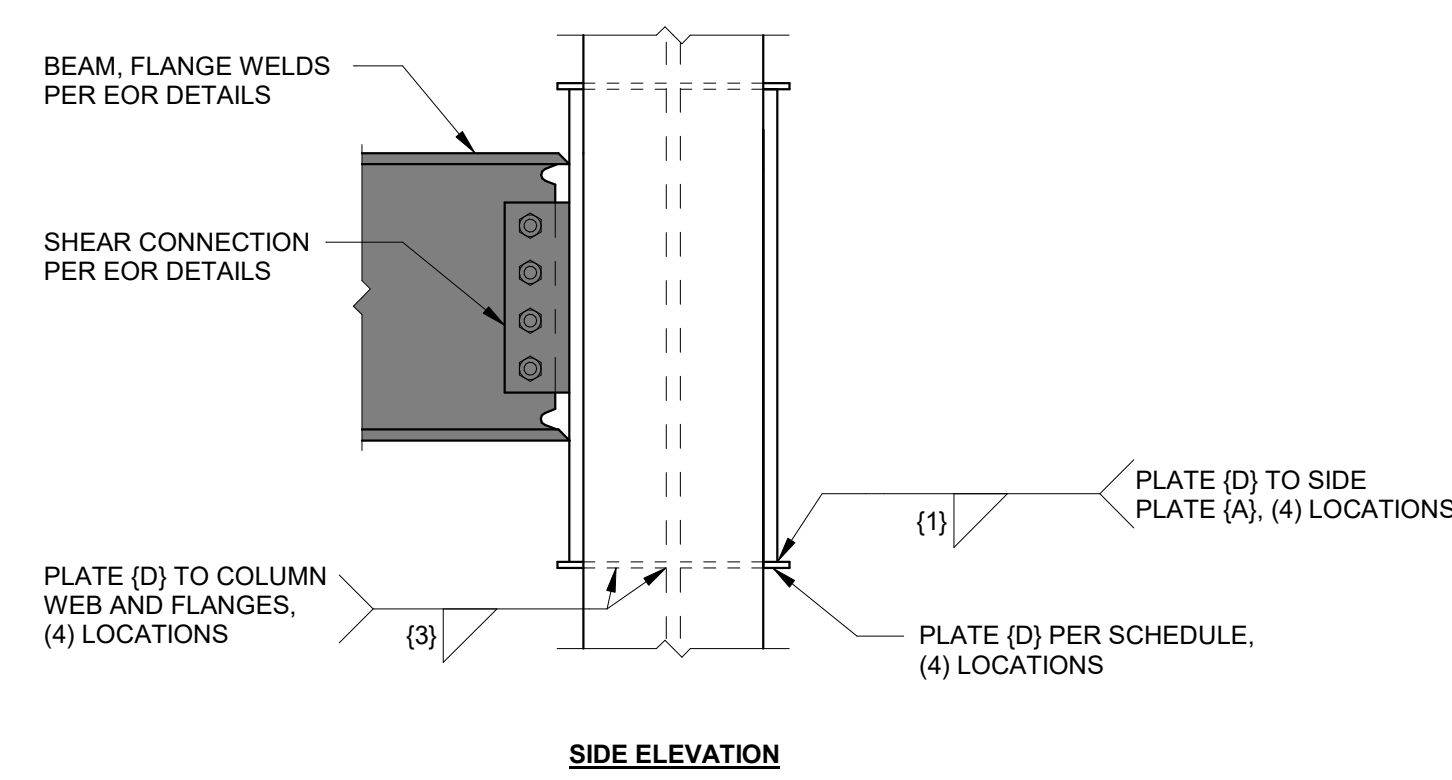
SP110

INTELLECTUAL PROPERTY RIGHTS NOTICE
 The SIDEPLATE® steel frame connection system is covered by one or more of U.S. Pat. Nos. 6,138,427; 6,516,583; 6,591,573; 7,178,296; 8,122,671; 8,146,322; 8,176,706; 8,205,408; and 9,091,065 and foreign counterparts.
 Other U.S. and foreign applications pending.

SIDEPLATE® is a registered trademark of Mitek Holdings, Inc., an affiliate of SidePlate Systems, Inc.

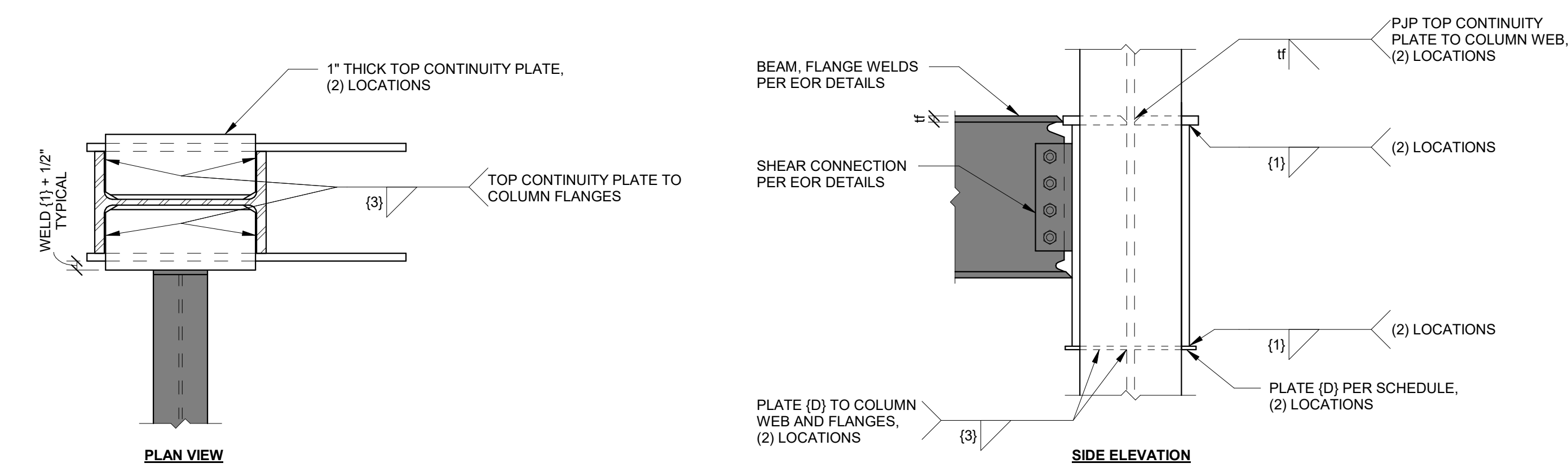
Copyright © 2024 SidePlate Systems, Inc. All rights reserved. Without limitation, this drawing and the information hereon may be used only following payment of a license fee to SidePlate Systems, Inc. and for the design, construction, operation, repair, maintenance, restoration or demolition of the building(s) specifically identified.

v15.09.06
 MAP 8/21/25



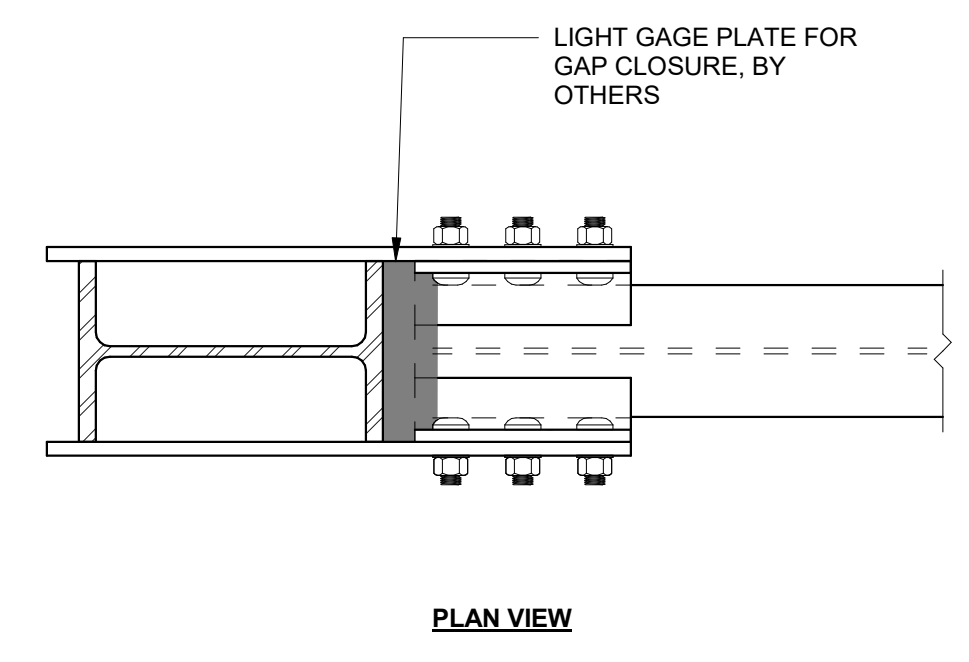
NOTE(S):
 1. ATTACHMENT SHOWN ON ONE SIDE OF SIDEPLATE CONNECTION FOR ILLUSTRATION. ATTACHMENT CAN OCCUR ON LEFT SIDE, RIGHT SIDE, OR BOTH SIDES OF CONNECTION AS APPLICABLE.

6 BEAM WITH TOP AND BOTTOM FLANGE TO FACE OF SIDE PLATE
 N.T.S.



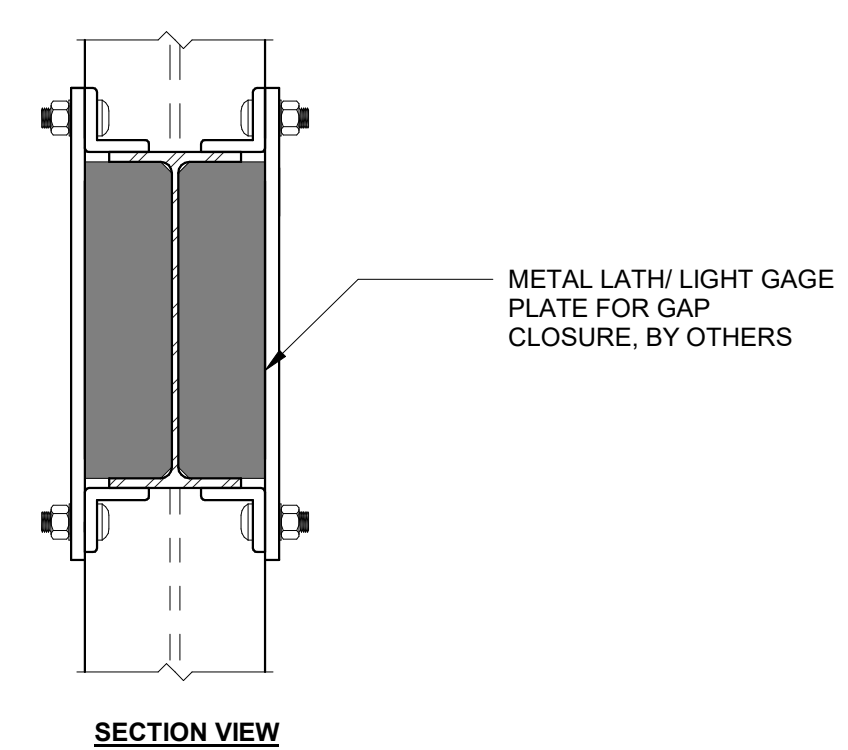
NOTE(S):
 1. ATTACHMENT SHOWN ON ONE SIDE OF SIDEPLATE CONNECTION FOR ILLUSTRATION. ATTACHMENT CAN OCCUR ON LEFT SIDE, RIGHT SIDE, OR BOTH SIDES OF CONNECTION AS APPLICABLE.

5 BEAM WITH TOP FLANGE CONTINUITY PLATE AND BOTTOM FLANGE TO FACE OF SIDE PLATE
 N.T.S.



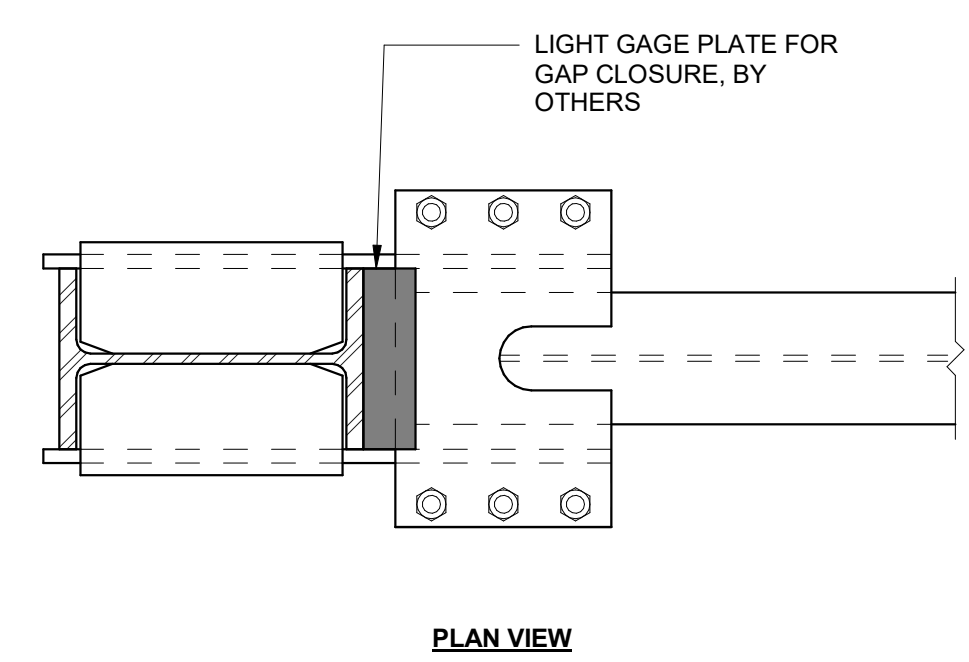
NOTE(S):
 1. THE STEEL DETAILER SHOULD CONFIRM AND COORDINATE WITH THE GENERAL CONTRACTOR AND/OR STEEL FABRICATOR WHICH PREFERRED OPTION OR PROJECT SPECIFIC CRITERIA TO USE FOR THE GAP CLOSURE.
 2. SEE GENERAL NOTES FIREPROOFING SECTION FOR MORE DETAILS.

4 (OPTIONAL) GAP CLOSURE DETAIL
 N.T.S.



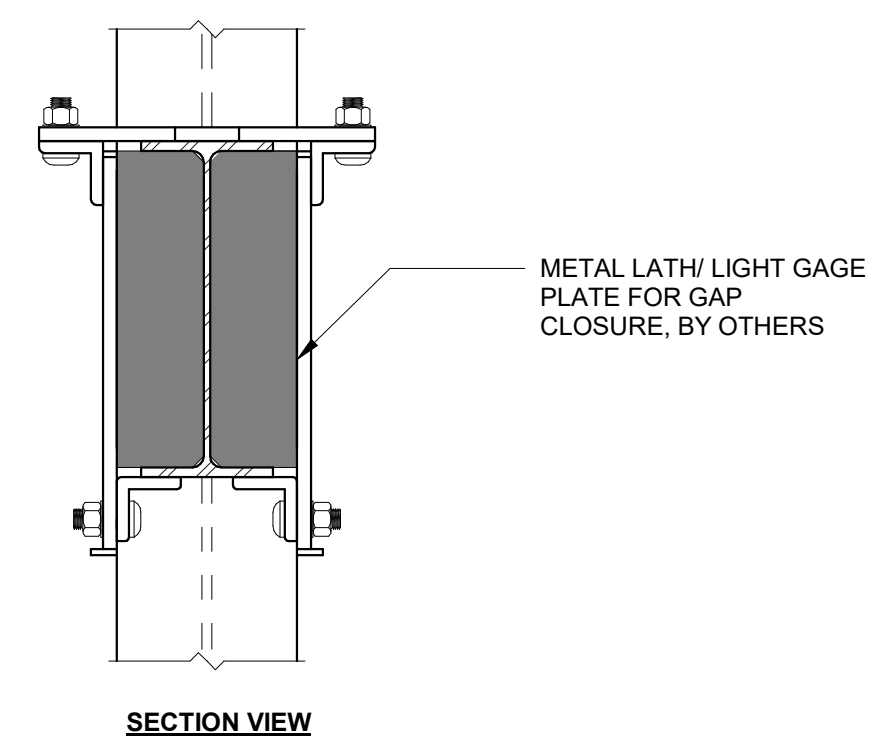
NOTE(S):
 1. THE STEEL DETAILER SHOULD CONFIRM AND COORDINATE WITH THE GENERAL CONTRACTOR AND/OR STEEL FABRICATOR WHICH PREFERRED OPTION OR PROJECT SPECIFIC CRITERIA TO USE FOR THE GAP CLOSURE.
 2. SEE GENERAL NOTES FIREPROOFING SECTION FOR MORE DETAILS.

3 (OPTIONAL) NO VSE BEAM GAP CLOSURE DETAIL
 N.T.S.



NOTE(S):
 1. THE STEEL DETAILER SHOULD CONFIRM AND COORDINATE WITH THE GENERAL CONTRACTOR AND/OR STEEL FABRICATOR WHICH PREFERRED OPTION OR PROJECT SPECIFIC CRITERIA TO USE FOR THE GAP CLOSURE.
 2. SEE GENERAL NOTES FIREPROOFING SECTION FOR MORE DETAILS.

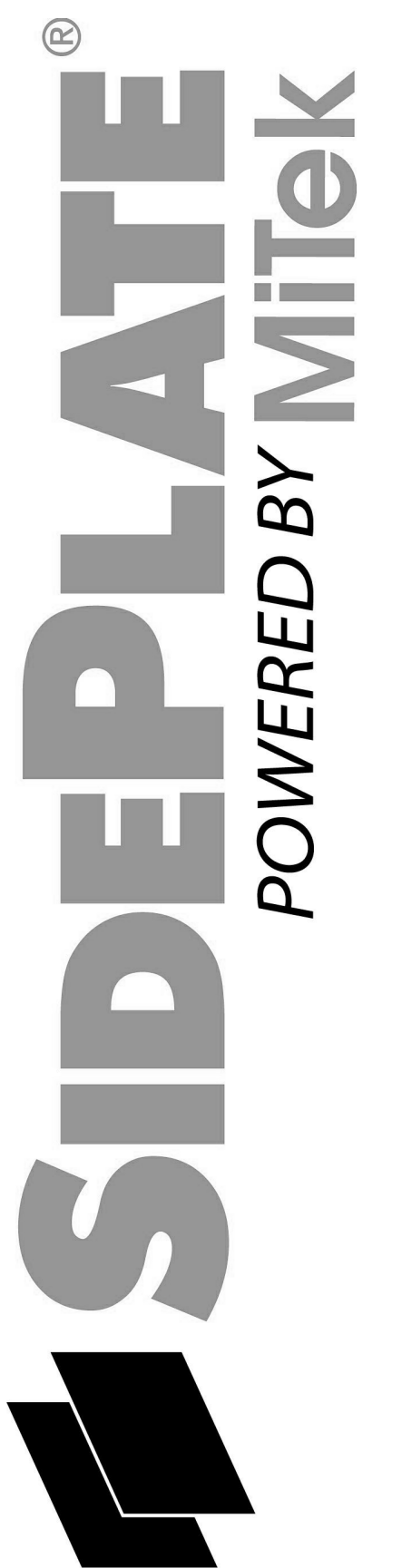
2 (OPTIONAL) GAP CLOSURE DETAIL
 N.T.S.



NOTE(S):
 1. THE STEEL DETAILER SHOULD CONFIRM AND COORDINATE WITH THE GENERAL CONTRACTOR AND/OR STEEL FABRICATOR WHICH PREFERRED OPTION OR PROJECT SPECIFIC CRITERIA TO USE FOR THE GAP CLOSURE.
 2. SEE GENERAL NOTES FIREPROOFING SECTION FOR MORE DETAILS.

1 (OPTIONAL) NO VSE BEAM GAP CLOSURE DETAIL
 N.T.S.

PRELIMINARY DRAWINGS
 NOT FOR CONSTRUCTION



SidePlate Systems, Inc.
 25909 Pala, Suite 200
 Mission Viejo, CA 92691

DATE
 05.07.2024

SHEET TITLE
 SIDEPLATE
 MISCELLANEOUS
 DETAILS

SP111