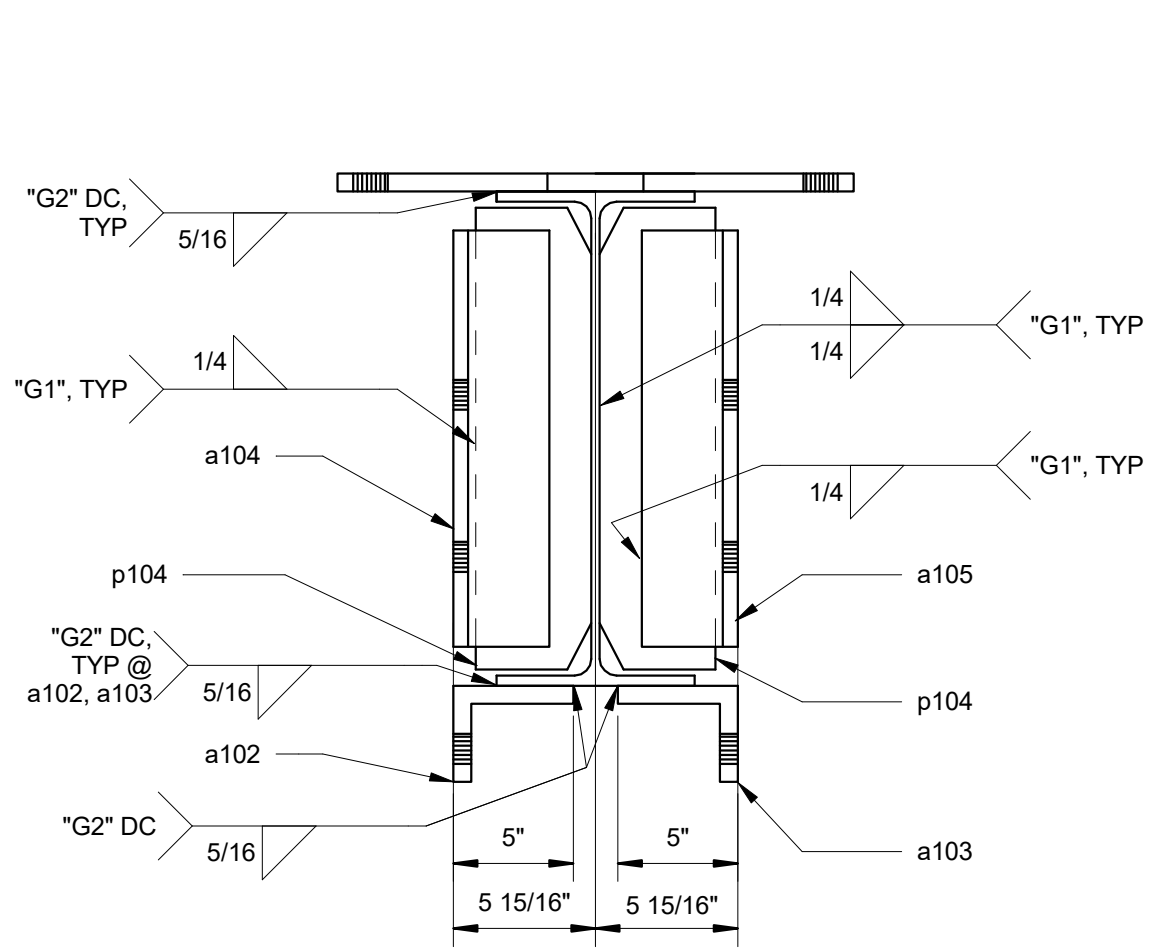
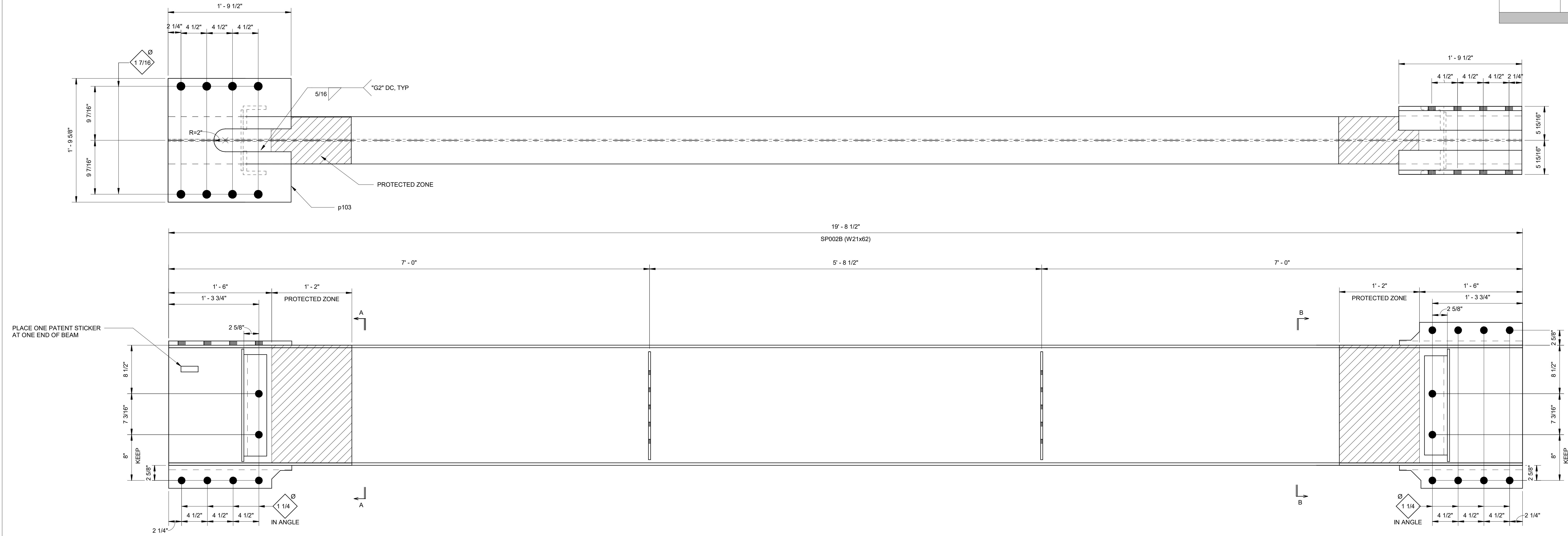
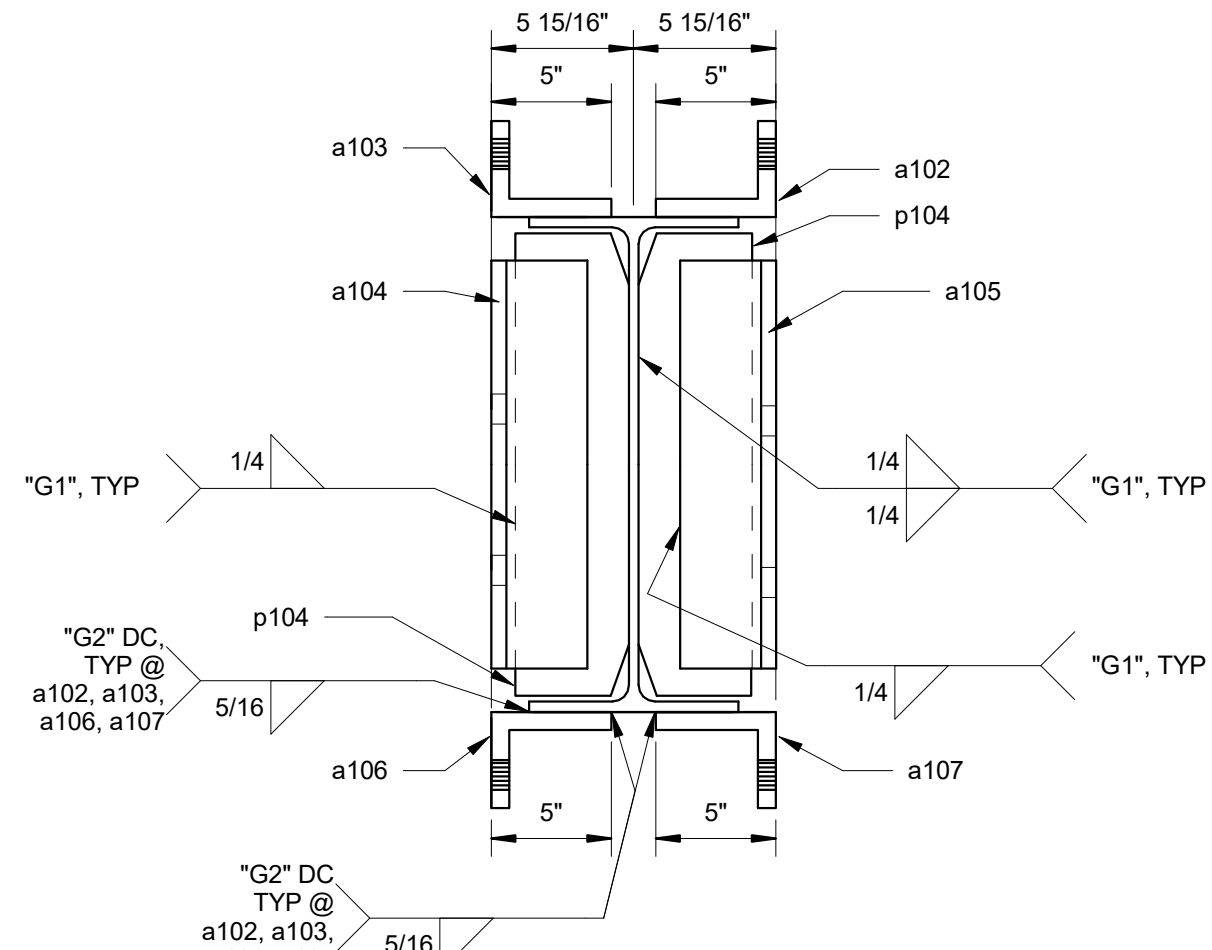


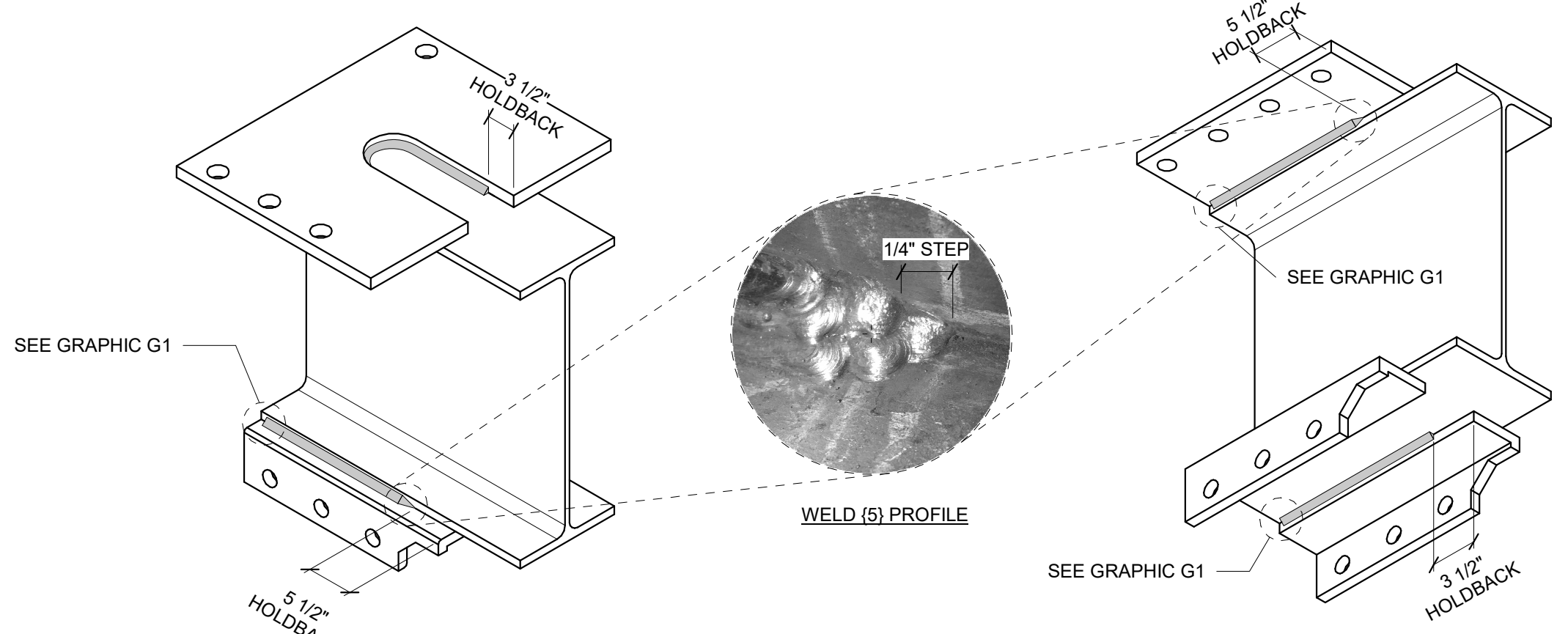
SIDEPLATE PLUS - BEAM					
SHIP MARK	QUAN. TOTAL	DESCRIPTION	LENGTH		STEEL GRADE
			FT	IN	
SP002B	1	W21x62	19	8 1/2	A992
a102	3	L6x4x3/4	1	9 1/2	A572-50 OR A36 (Fy=50ksi)
a103	3	L6x4x3/4	1	9 1/2	A572-50 OR A36 (Fy=50ksi)
a104	2	L4x4x5/8	1	5 3/8	A572-50 OR A36 (Fy=50ksi)
a105	2	L4x4x5/8	1	5 3/8	A572-50 OR A36 (Fy=50ksi)
a106	2	L6x4x3/4	1	9 1/2	A572-50 OR A36 (Fy=50ksi)
a107	2	L6x4x3/4	1	9 1/2	A572-50 OR A36 (Fy=50ksi)
p103	1	PL3/4x21 1/2	1	9 5/8	A572-50
p104	4	PL3/8x4 13/16	1	7 1/4	A572-50
FIELD BOLTS					
	40	TC 1 1/8 DIA A490X	0	3 1/2	



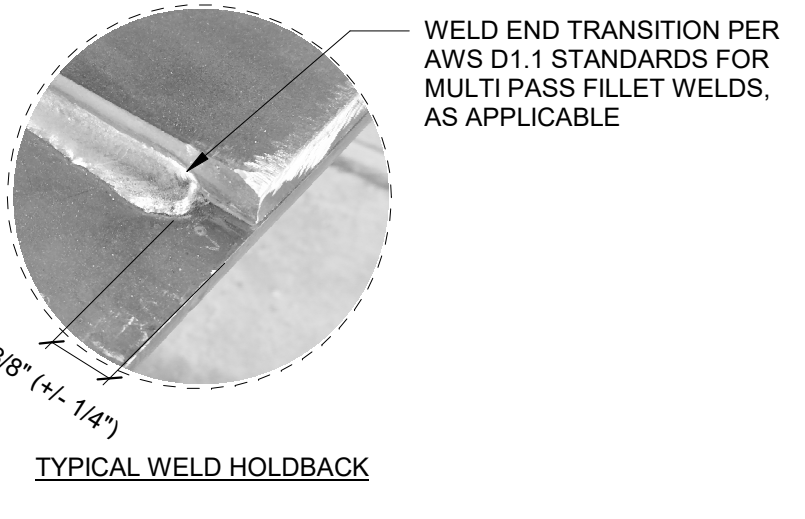
SECTION A-A



SECTION B-B



GRAPHIC "G2"

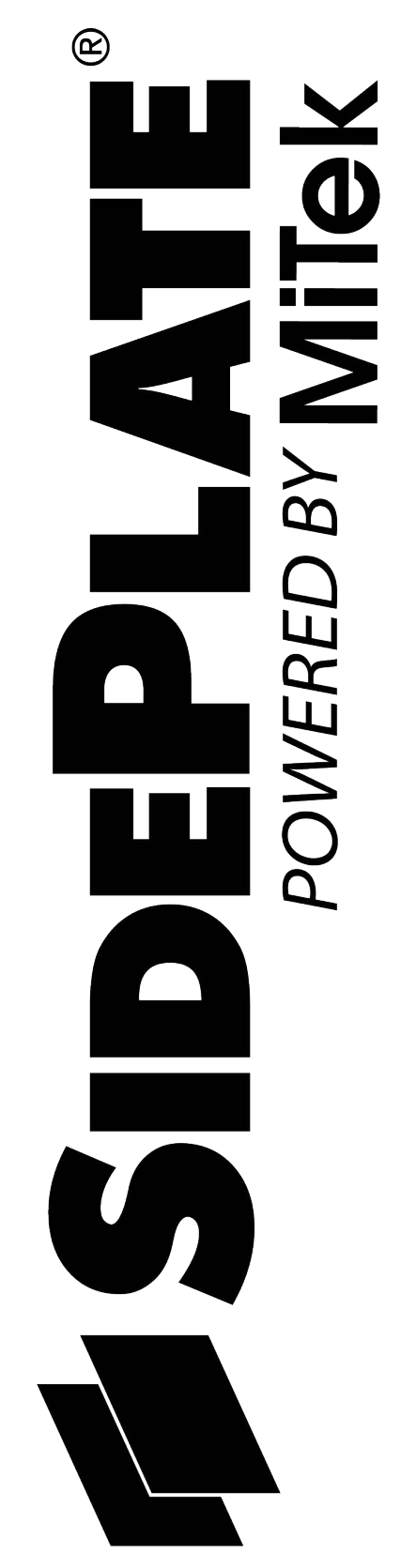


GRAPHIC "G1"

INTELLECTUAL PROPERTY RIGHTS NOTICE  
 The SIDEPLATE® steel frame connection system is covered by one or more of U.S. Pat. Nos. 6,138,427; 6,516,583; 6,591,573; 7,176,296; 8,122,671; 8,122,672; 8,146,322; 8,176,706; 8,205,408; and 9,091,065 and foreign counterparts. Other U.S. and foreign applications pending.

SIDEPLATE® is a registered trademark of Mitek Holdings, Inc., an affiliate of SidePlate Systems, Inc.  
 Copyright © 2019 SidePlate Systems, Inc. All rights reserved. Without limitation, this drawing and the information hereon may be used only following payment of a license fee to SidePlate Systems, Inc. and for the design, construction, operation, repair, maintenance, restoration or demolition of the building(s) specifically identified.

v17.08.02



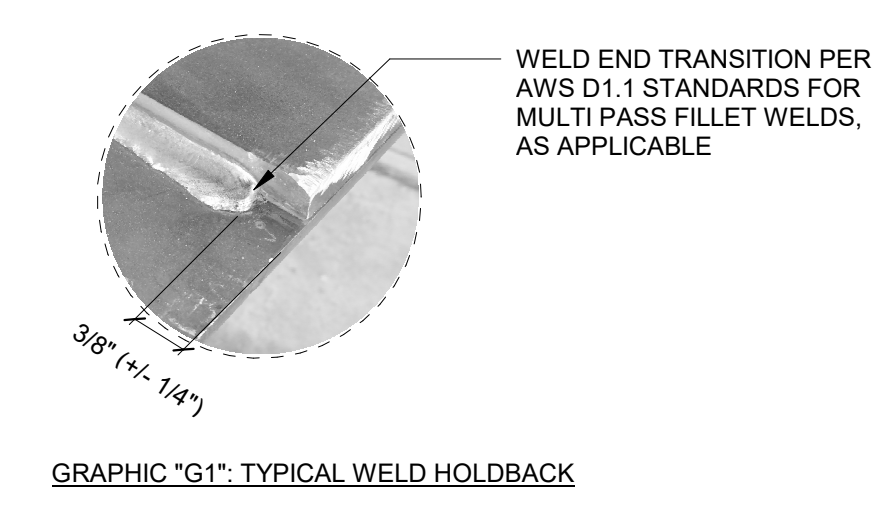
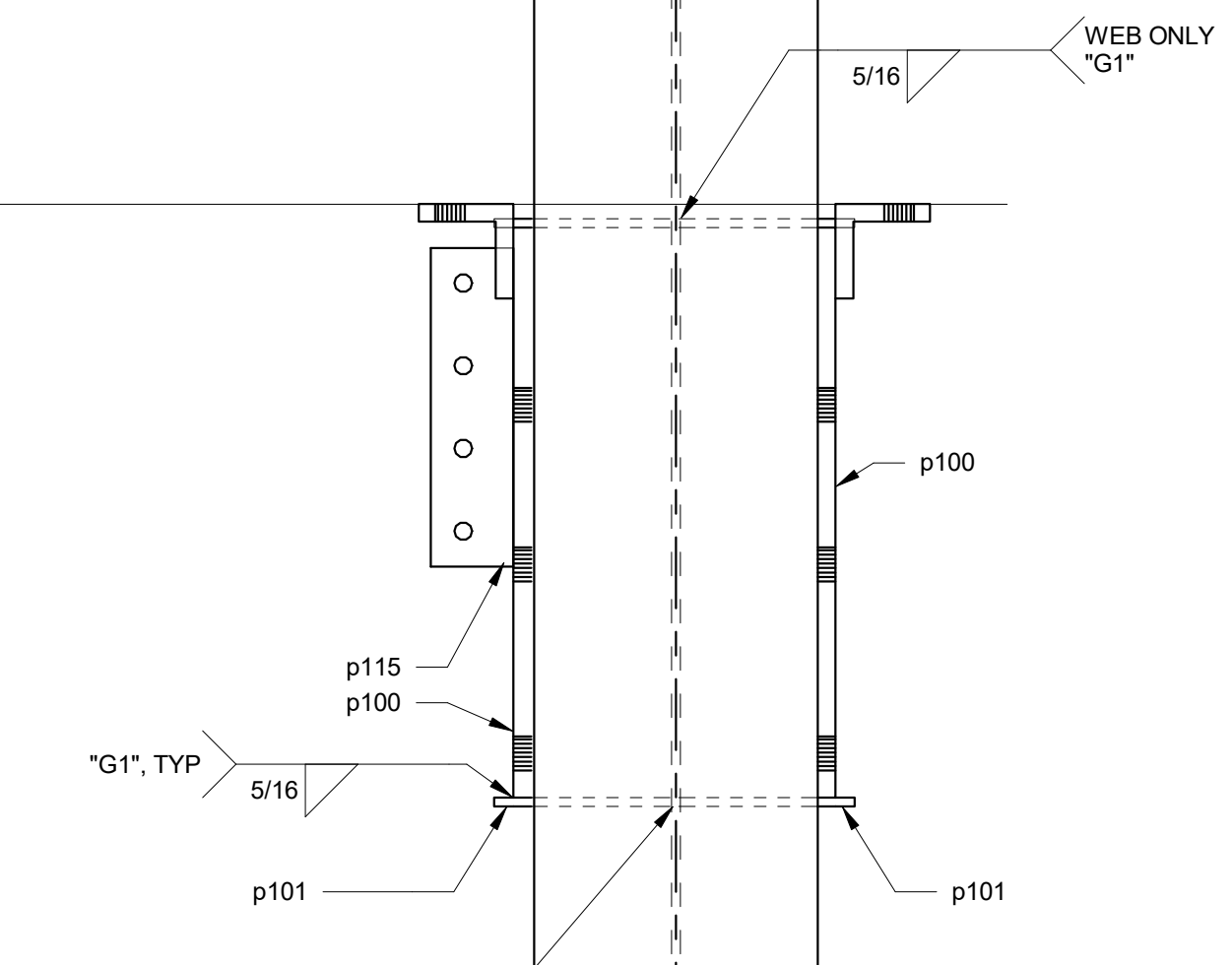
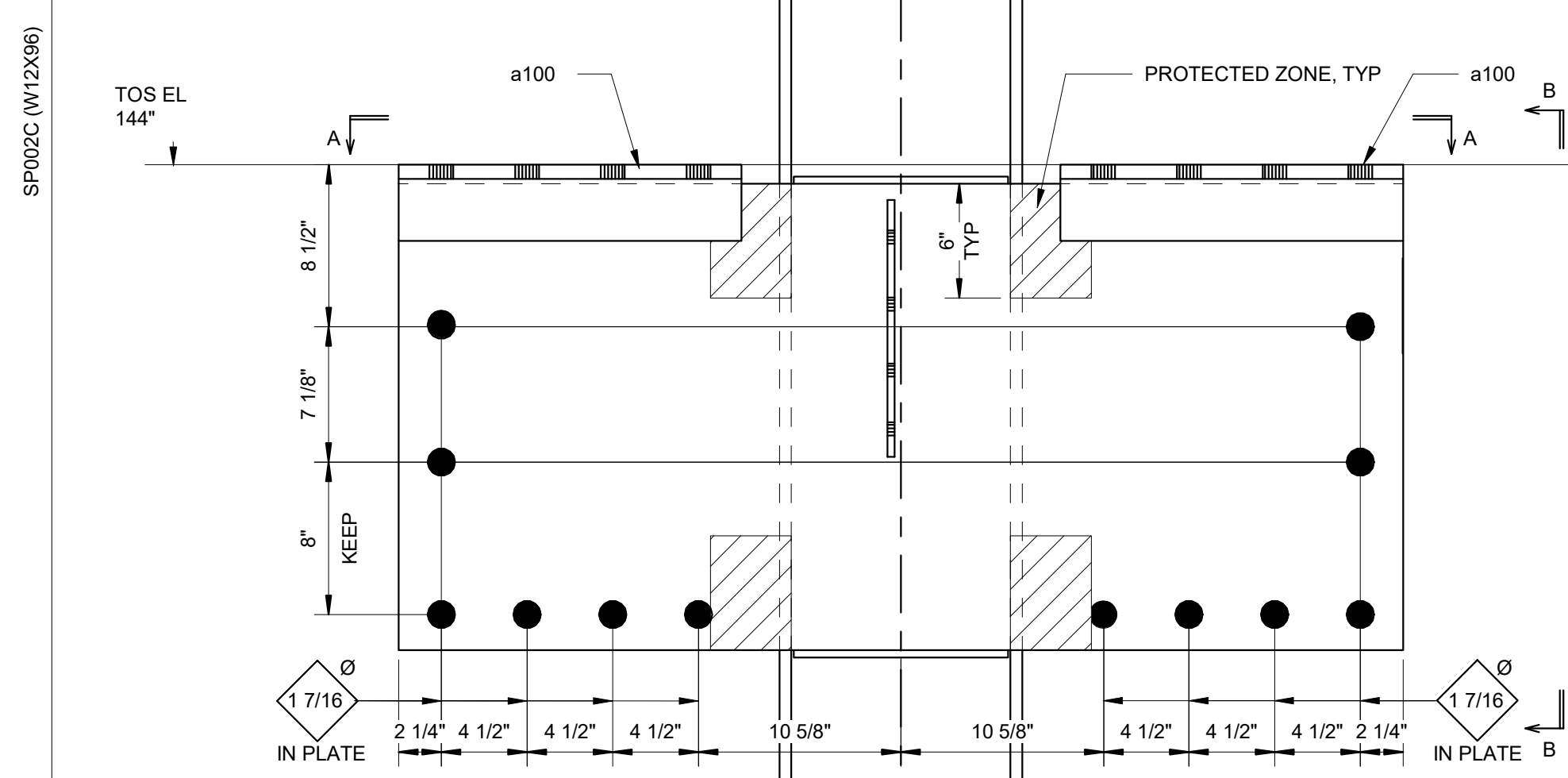
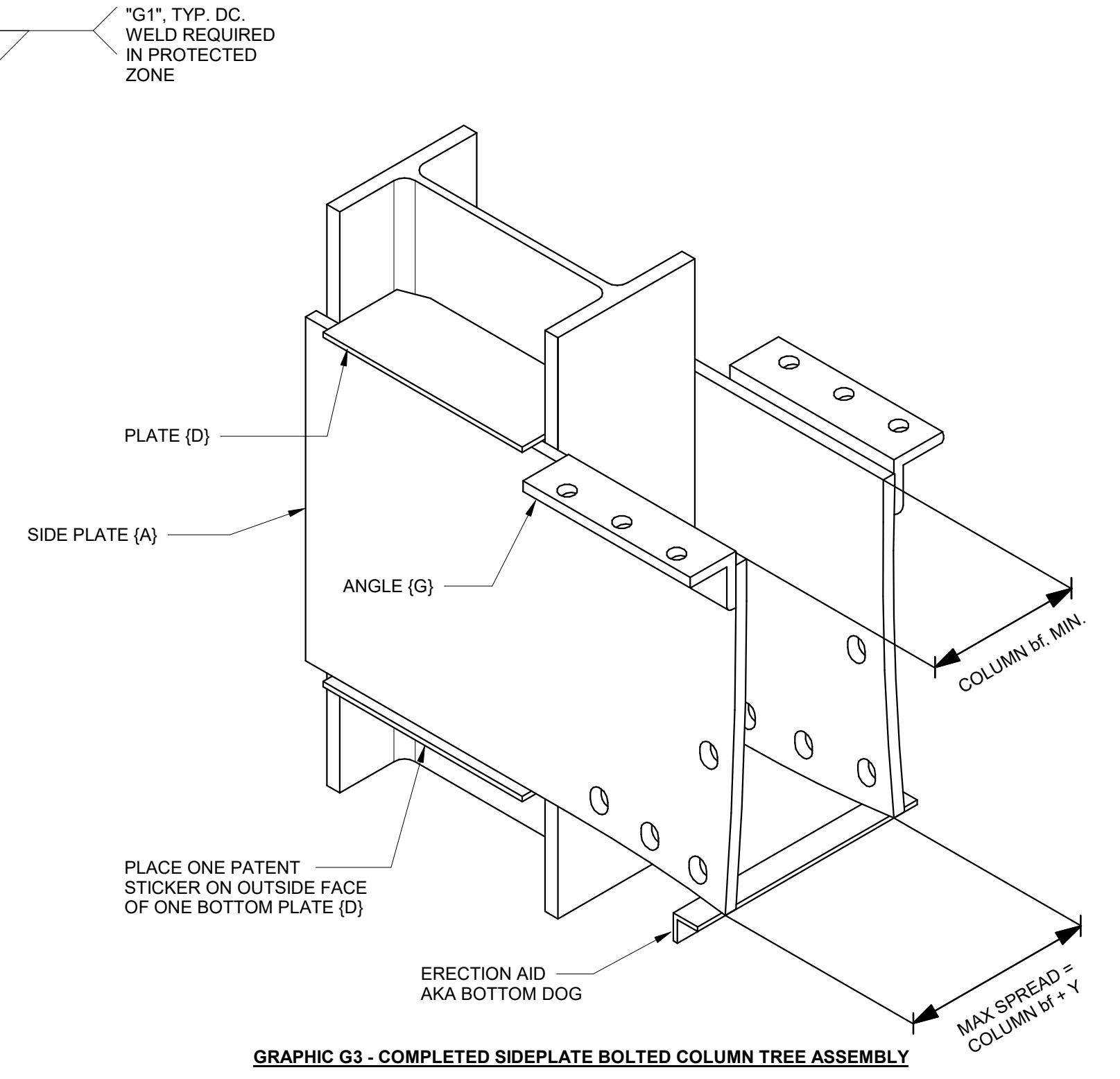
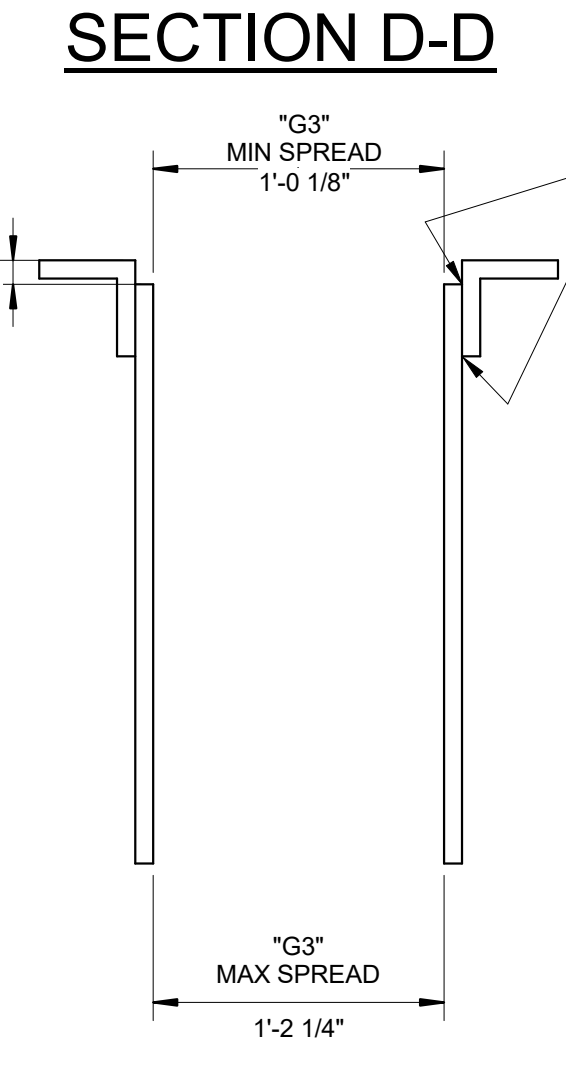
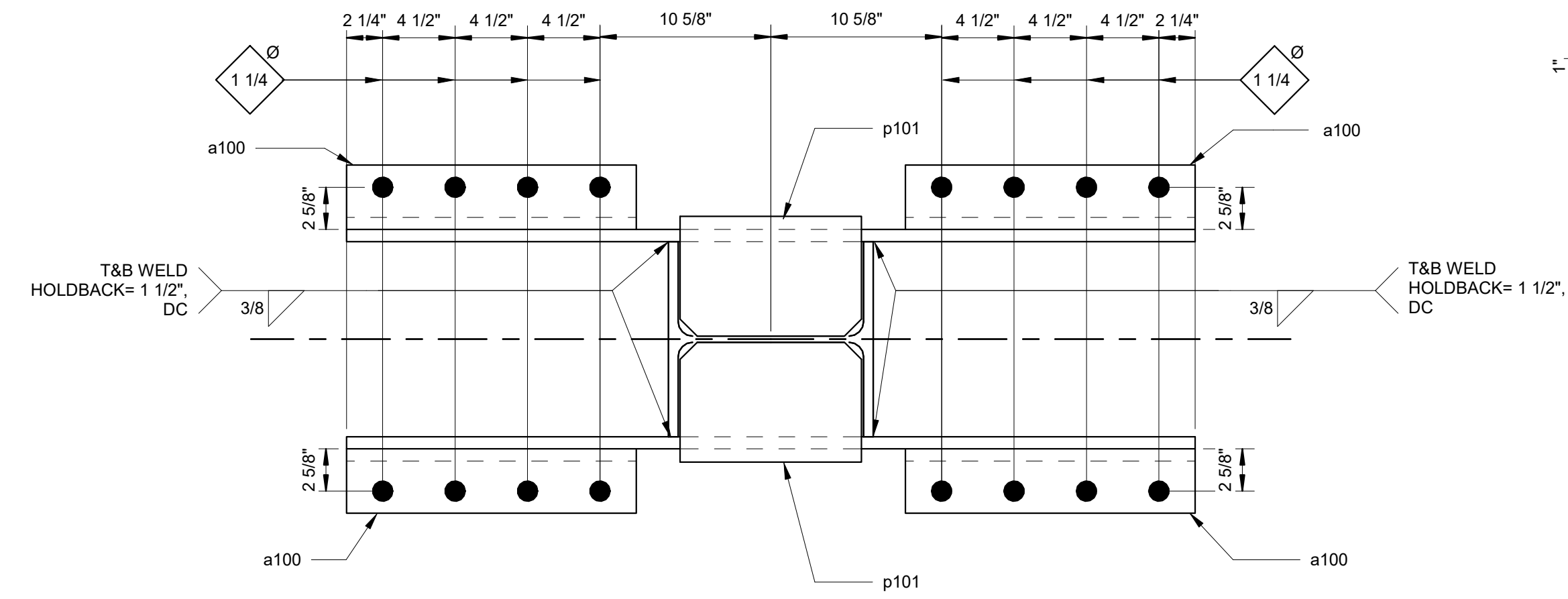
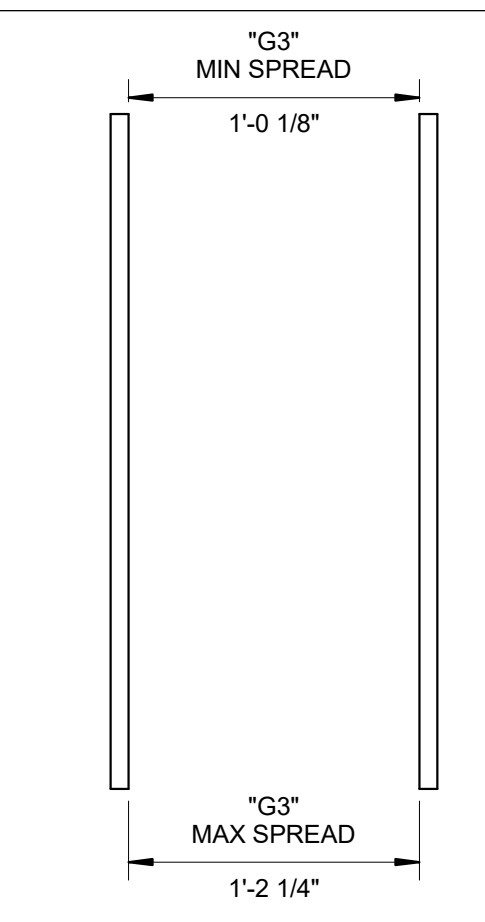
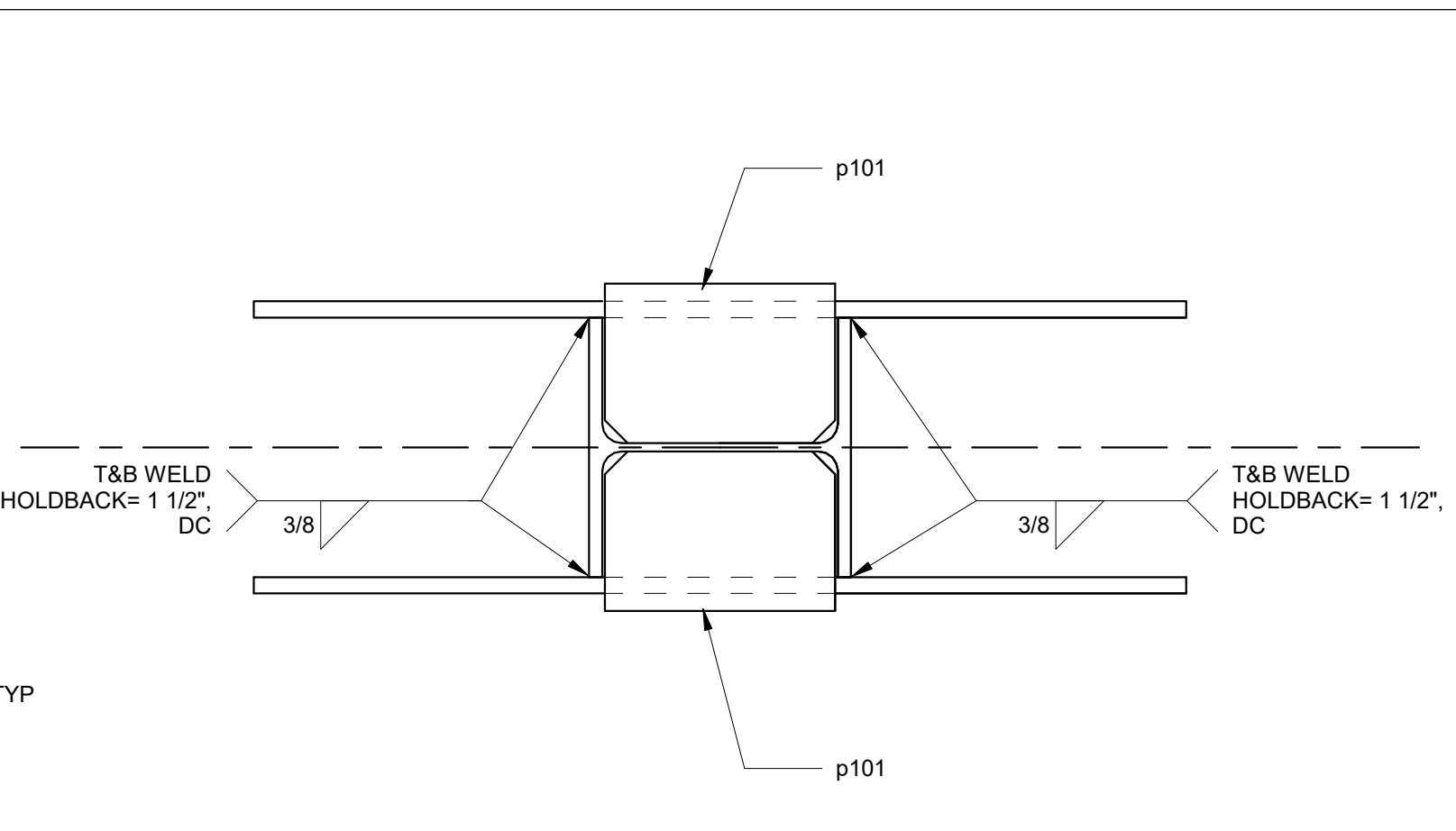
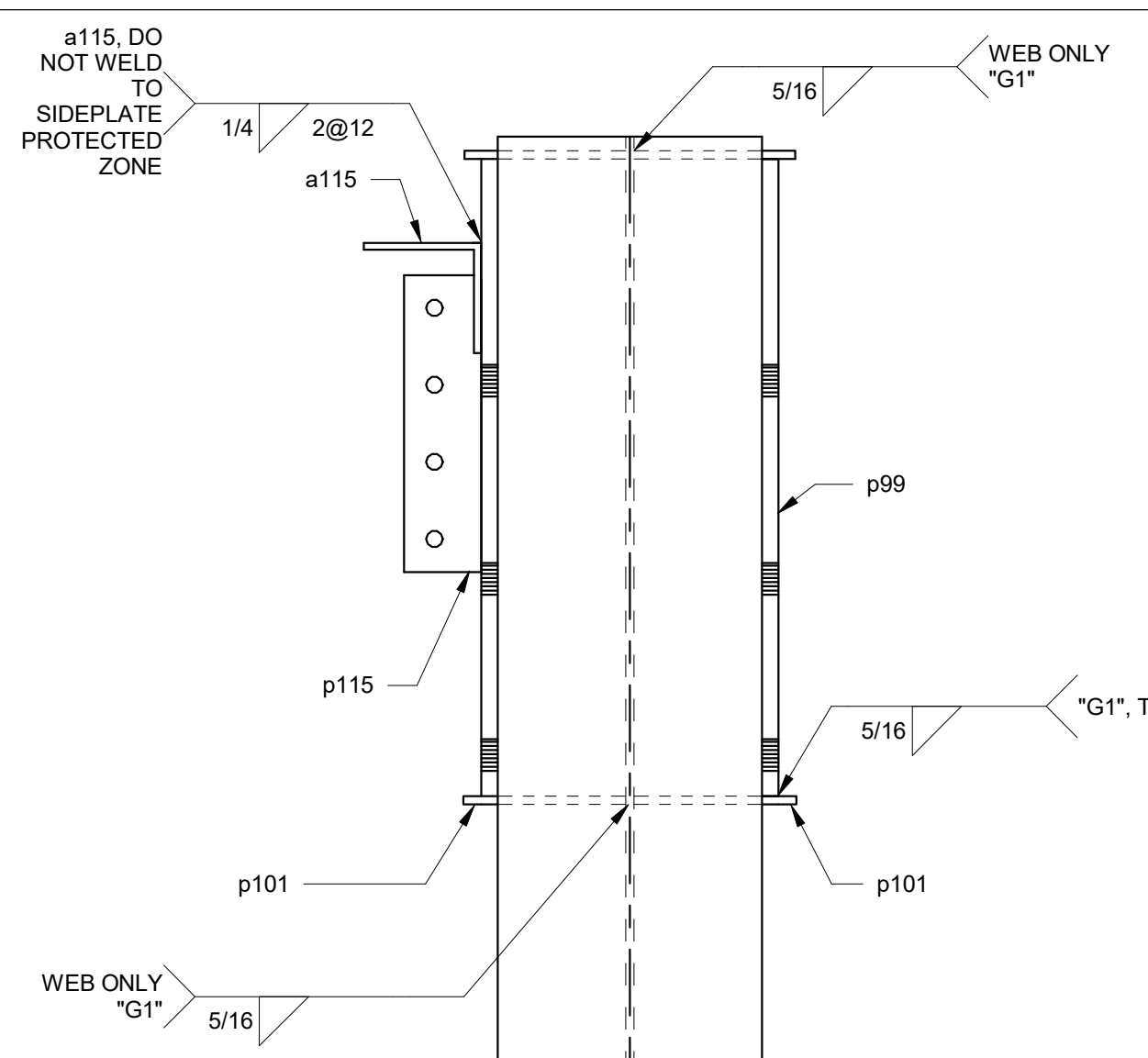
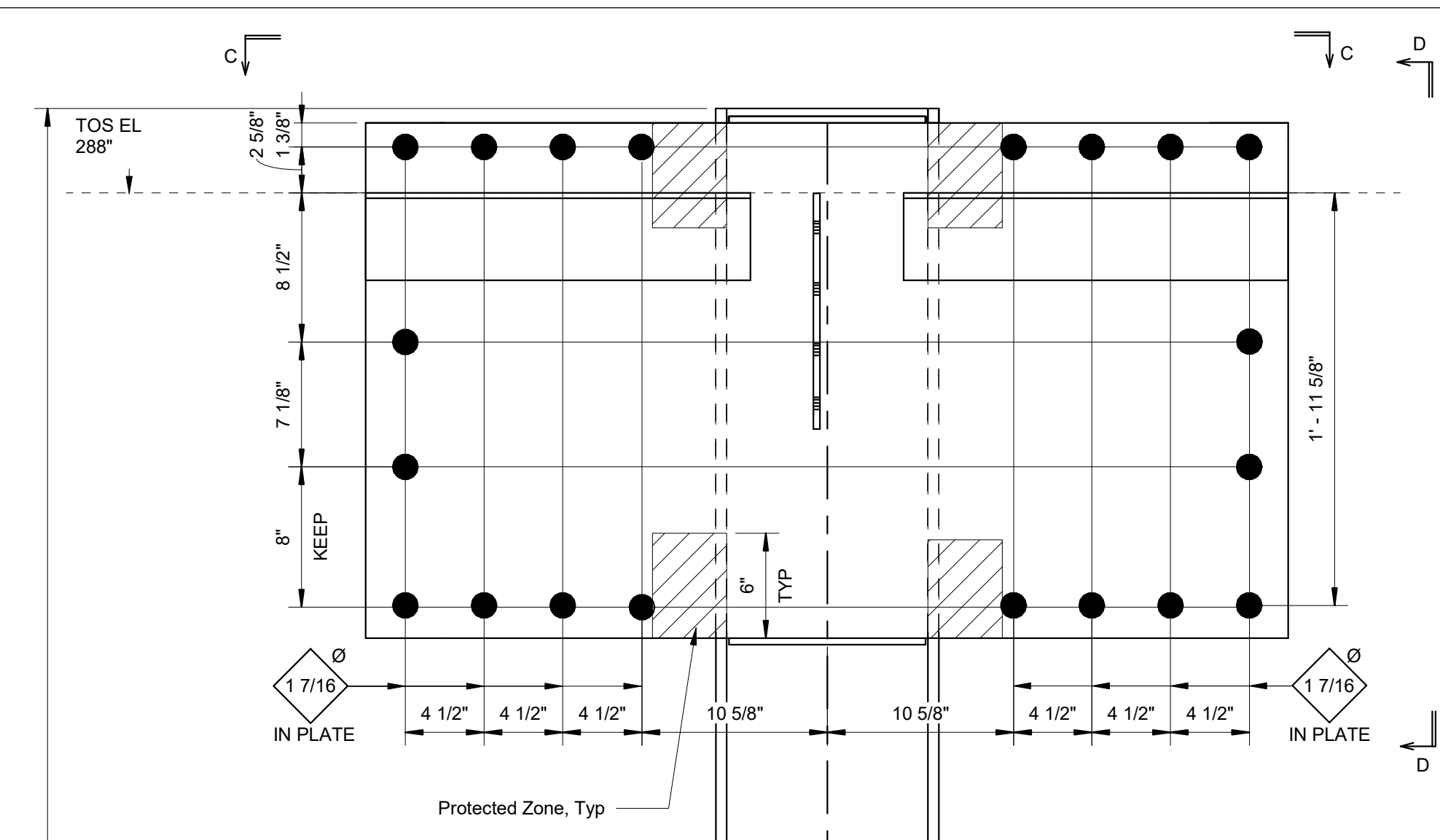
SidePlate Systems, Inc.  
 25909 Pala, Suite 200  
 Mission Viejo, CA 92691

DATE  
**09.27.2019**

SHEET TITLE  
**SIDEPLATE PLUS BEAM**

**SP002B**

SIDEPLATE PLUS - COLUMN					
SHIP MARK	QUAN. TOTAL	DESCRIPTION	LENGTH		STEEL GRADE
			FT	IN	
SP002C	1	W12x96	24	4 1/2	A992
a100	4	L4x4x3/4	1	6	A572-50 OR A36 (Fy= 50ksi)
a115	2	L5x5x5/16 (DECK SUPPORT)	1	10	A36
p99	2	PL3/4x29 1/2	4	4 3/4	A572-50
p100	2	PL3/4x24 1/8	4	4 3/4	A572-50
p101	8	PL3/8x7 3/8	0	10 5/8	A572-50
p115	2	PL3/8x3 1/2 (SHEAR TAB)	1	1 1/2	A572-50



INTELLECTUAL PROPERTY RIGHTS NOTICE  
 The SIDEPLATE® steel frame connection system is covered by one or more of U.S. Pat. Nos. 6,138,427; 6,516,583; 6,691,573; 7,178,296; 8,122,671; 8,122,672; 8,146,322; 8,176,706; 8,205,408; and 9,091,065 and foreign counterparts. Other U.S. and foreign applications pending.  
 SIDEPLATE® is a registered trademark of MiTek Holdings, Inc., an affiliate of SidePlate Systems, Inc.  
 Copyright © 2019 SidePlate Systems, Inc. All rights reserved. Without limitation, this drawing and the information hereon may be used only following payment of a license fee to SidePlate Systems, Inc. and for the design, construction, operation, repair, maintenance, restoration or demolition of the building(s) specifically identified.  
 v17.05.02

**SIDEPLATE**  
 POWERED BY MiTek

SidePlate Systems, Inc.  
 25909 Pala, Suite 200  
 Mission Viejo, CA 92691

DATE  
**09.27.2019**

SHEET TITLE  
**SIDEPLATE PLUS COLUMN**

**SP002C**