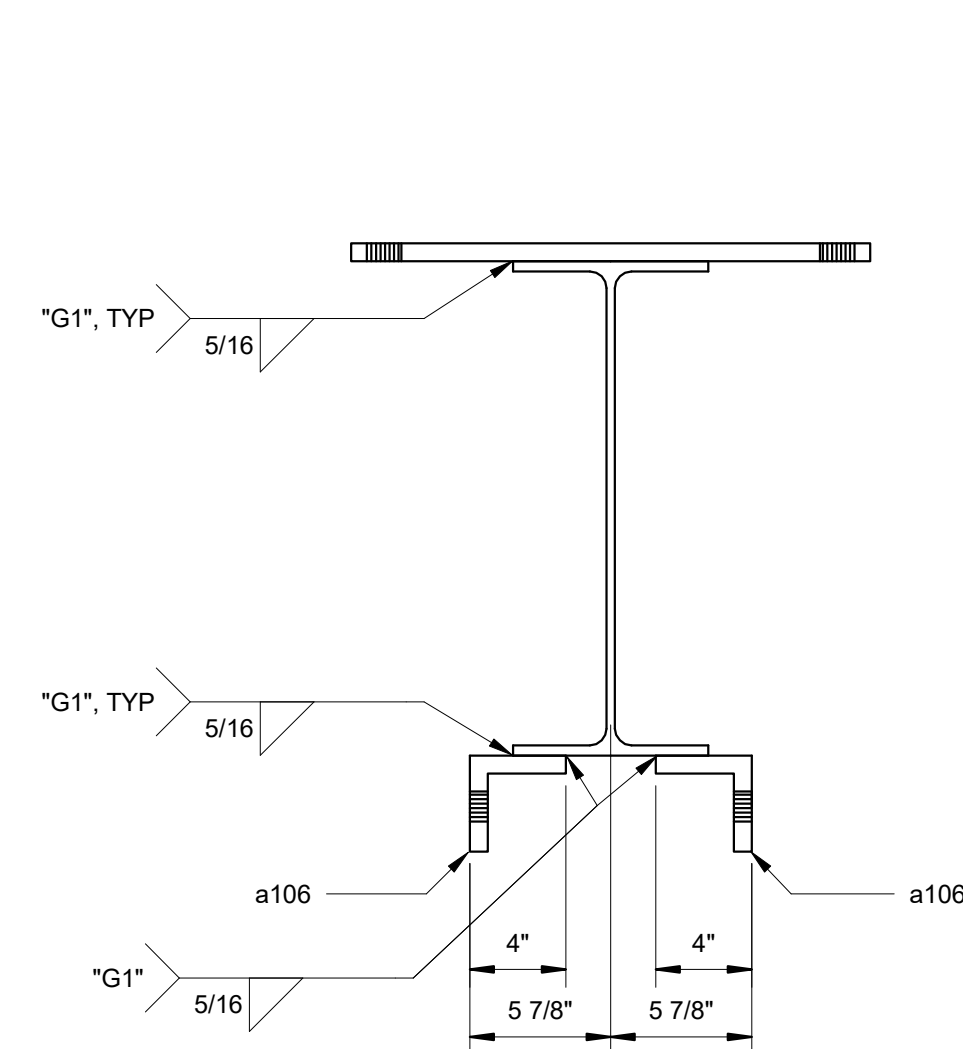
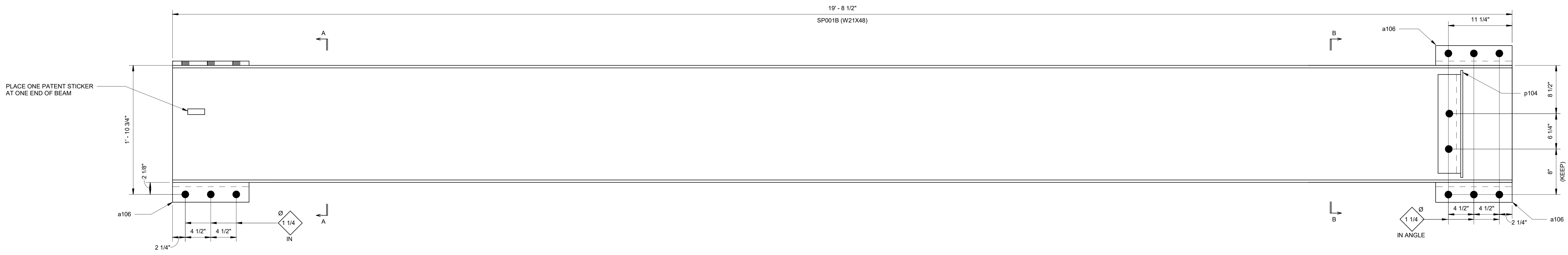
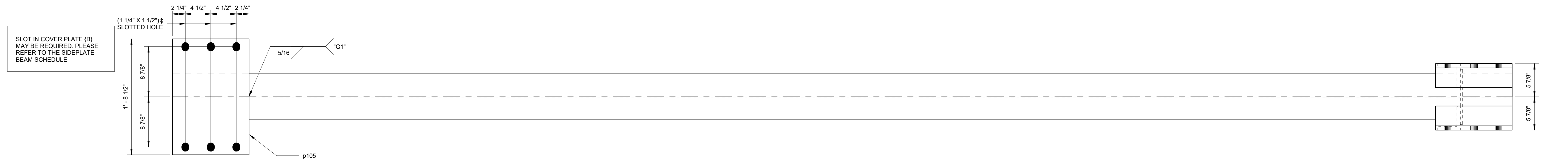
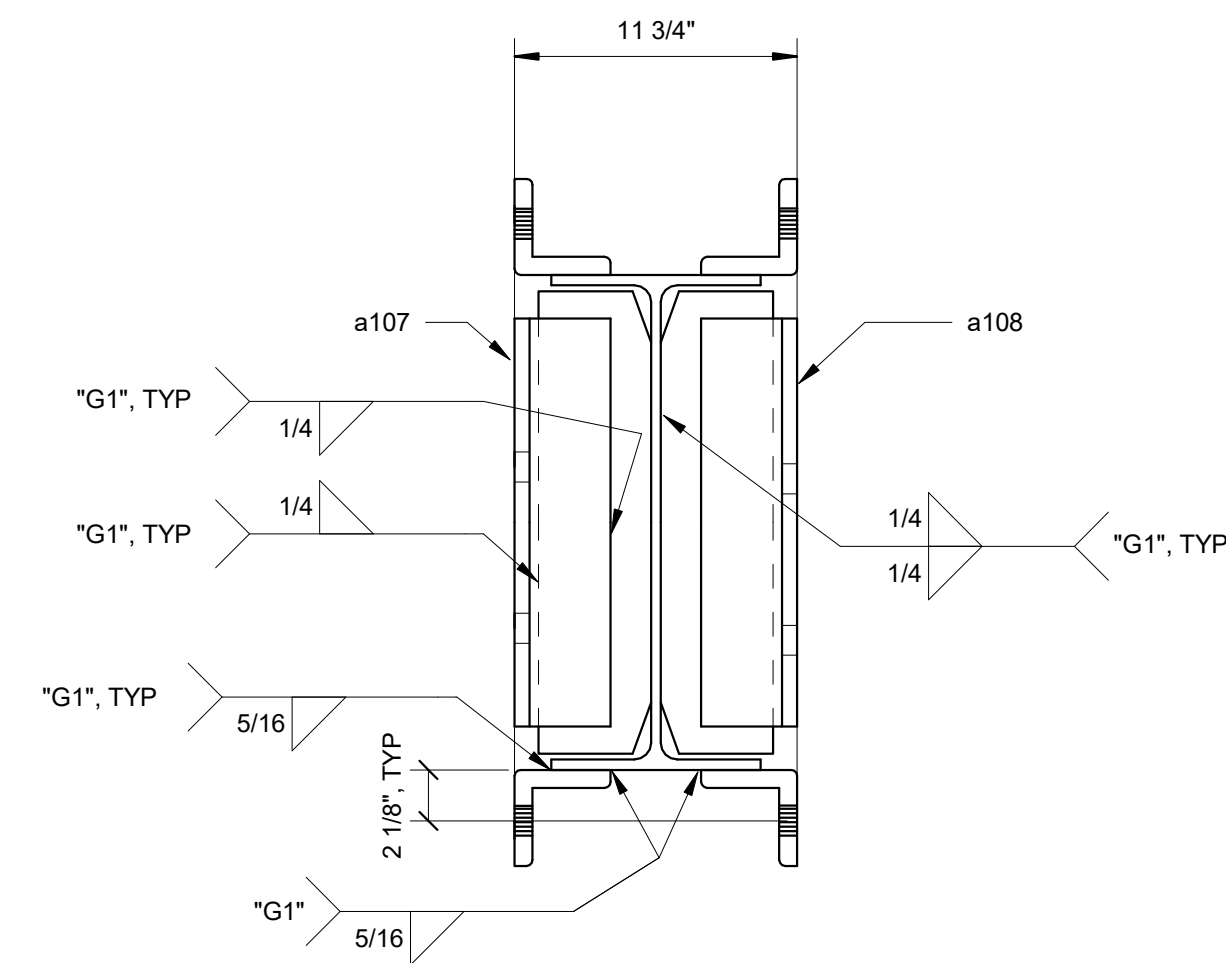


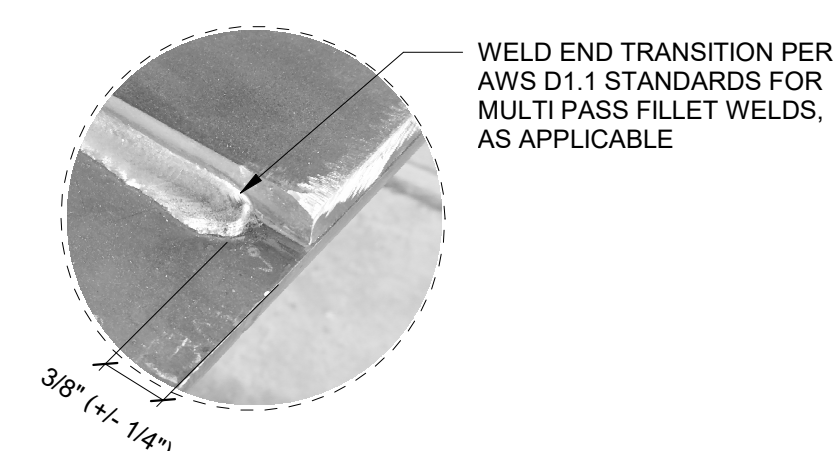
SIDEPLATE - BEAM					
SHIP MARK	QUAN. TOTAL	DESCRIPTION	LENGTH		STEEL GRADE
			FT	IN	
SP002B	1	W21x48	19	8 1/2	A992
a106	4	L4x4x3/4	1	1 1/2	A572-50 OR A36 (Fy=50ksi)
a107	1	L4x4x5/8	1	5 3/8	A572-50 OR A36 (Fy=50ksi)
a108	1	L4x4x5/8	1	5 3/8	A572-50 OR A36 (Fy=50ksi)
p105	1	PL3/4x20 1/2	1	1 1/2	A572-50
p104	1	PL3/8x4 3/4	1	7 1/2	A572-50
FIELD BOLTS					
	30	TC 1 1/8 DIA A490X	0	3 1/2	



SECTION A-A



SECTION B-B



TYPICAL WELD HOLDBACK

GRAPHIC "G1"

INTELLECTUAL PROPERTY RIGHTS NOTICE
 The SIDEPLATE® steel frame connection system is covered by one or more of U.S. Pat. Nos. 6,138,427; 6,516,583; 6,591,573; 7,178,296; 8,122,671; 8,122,672; 8,146,322; 8,176,706; 8,205,406; and 9,091,065 and foreign counterparts.
 Other U.S. and foreign applications pending.

SIDEPLATE® is a registered trademark of MiTek Holdings, Inc., an affiliate of SidePlate Systems, Inc.
 Copyright © 2019 SidePlate Systems, Inc. All rights reserved. Without limitation, this drawing and the information hereon may be used only following payment of a license fee to SidePlate Systems, Inc. and for the design, construction, operation, repair, maintenance, restoration or demolition of the building(s) specifically identified.

v17.05.02

SIDEPLATE
 POWERED BY MiTek

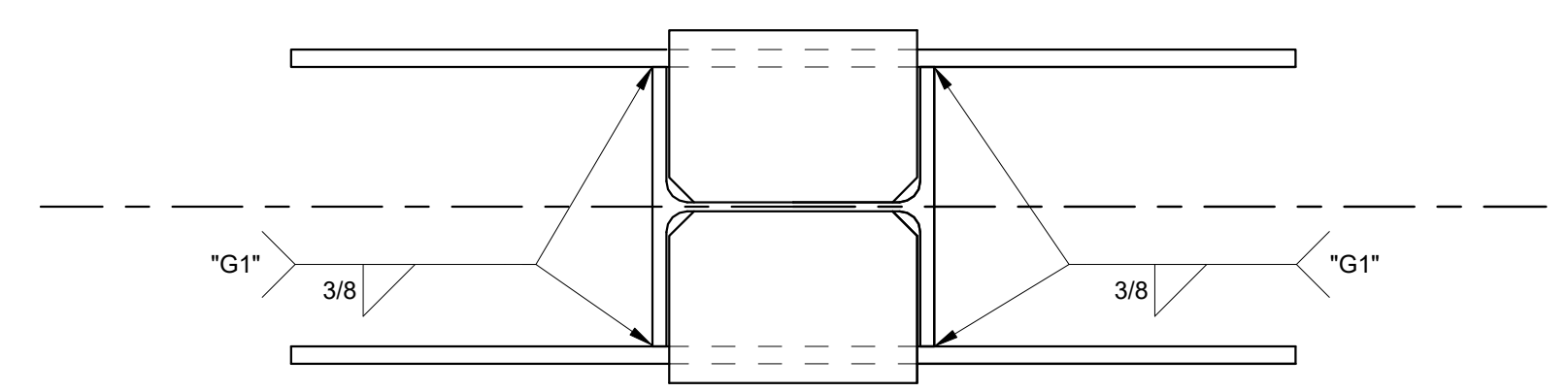
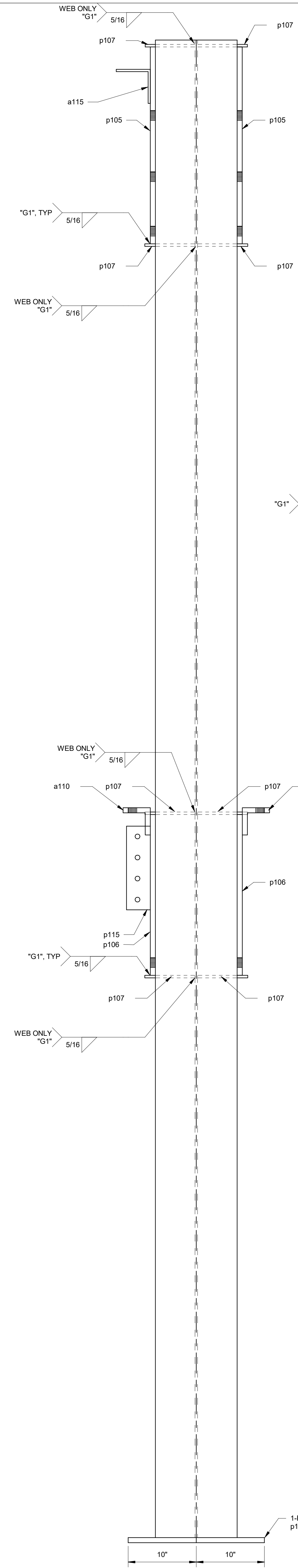
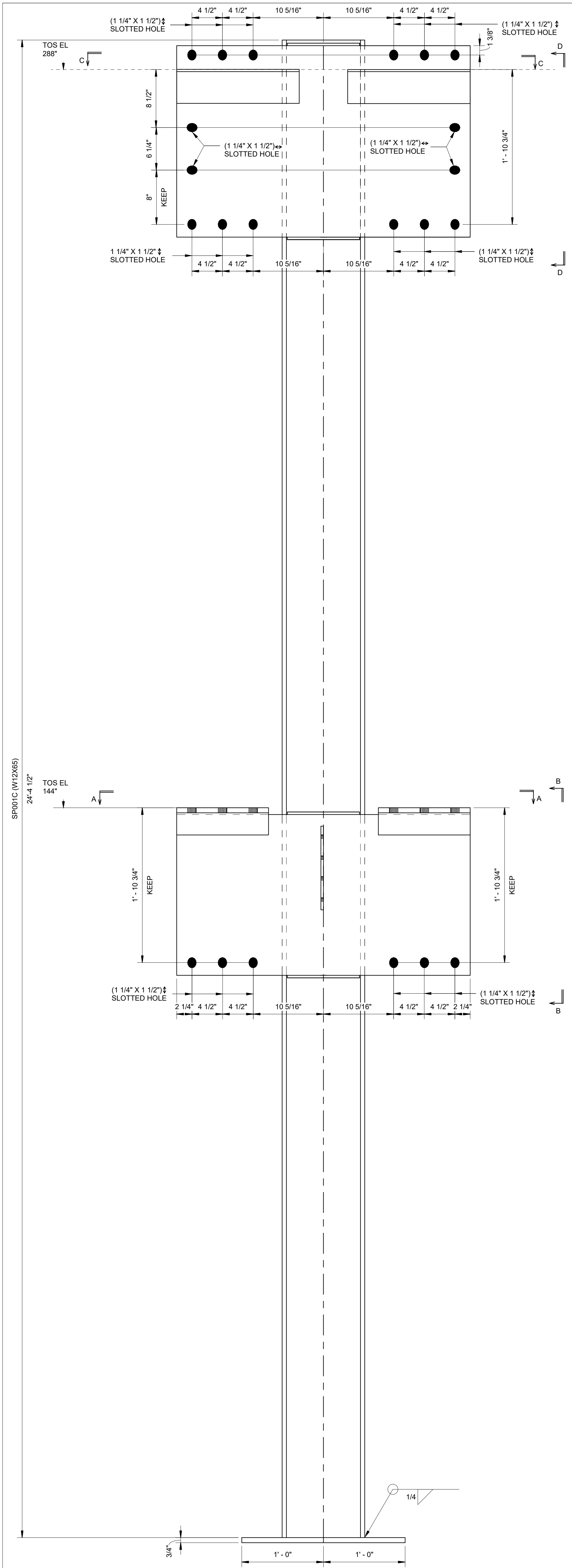
SidePlate Systems, Inc.
 25909 Pala, Suite 200
 Mission Viejo, CA 92691

DATE
09.27.2019

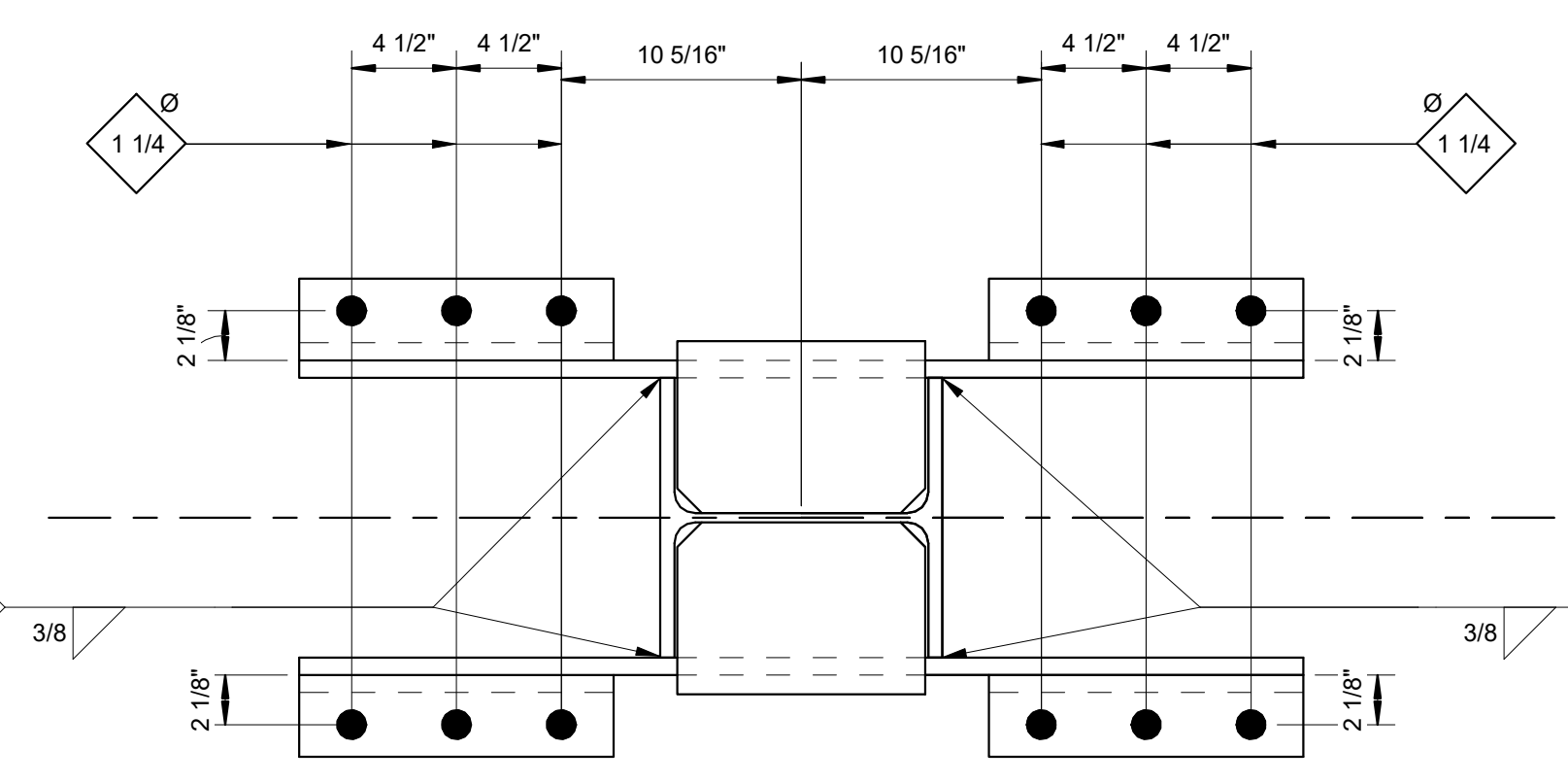
SHEET TITLE

SIDEPLATE BEAM

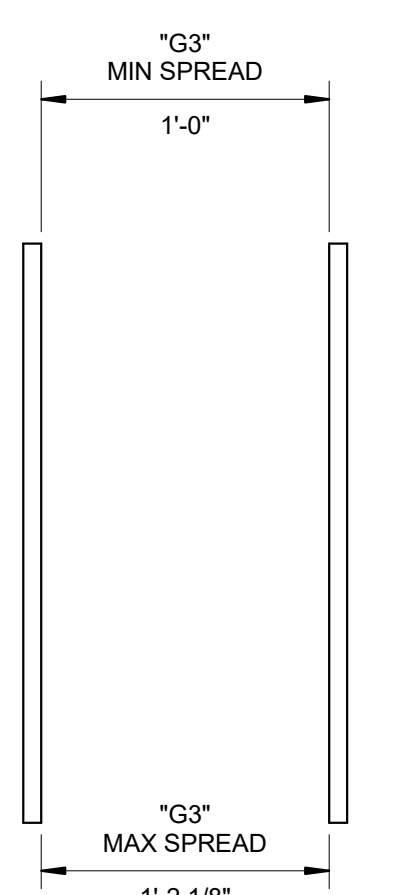
SP001B



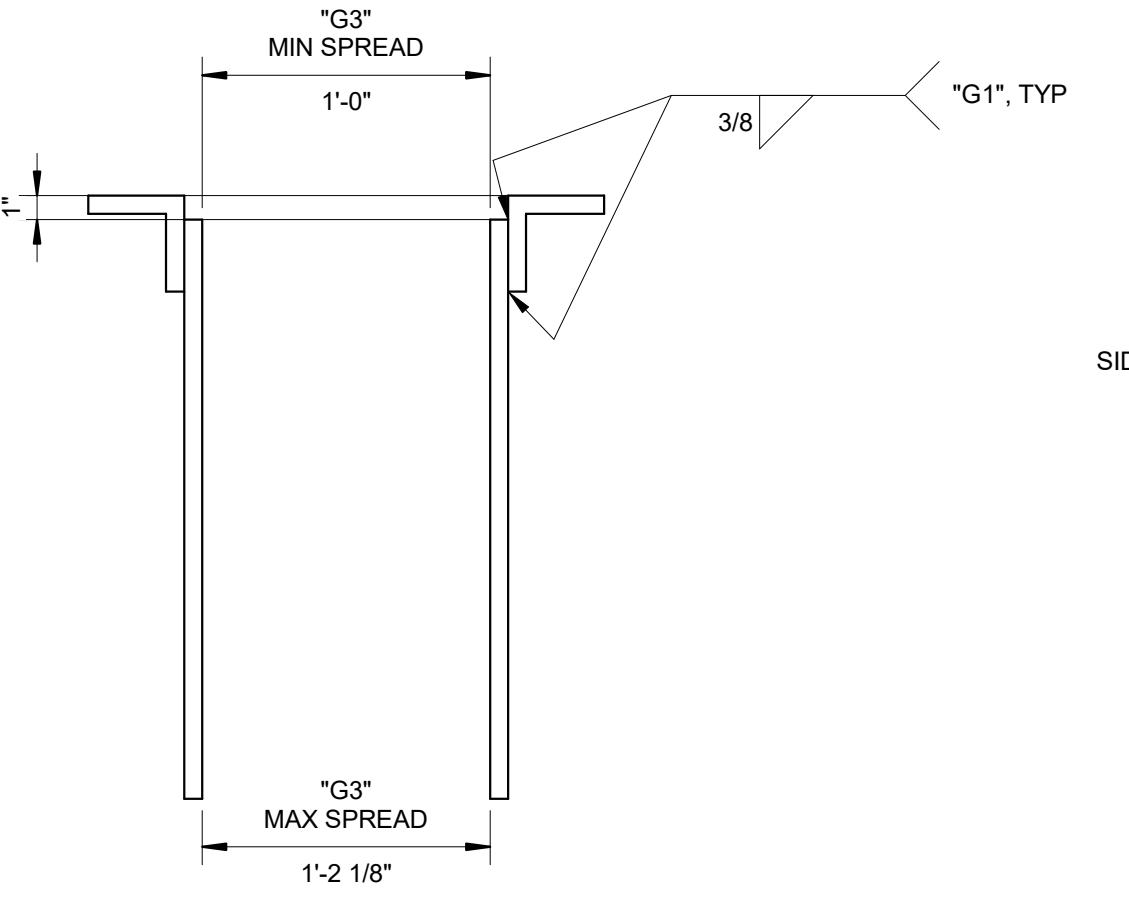
SECTION C-C



SECTION A-A

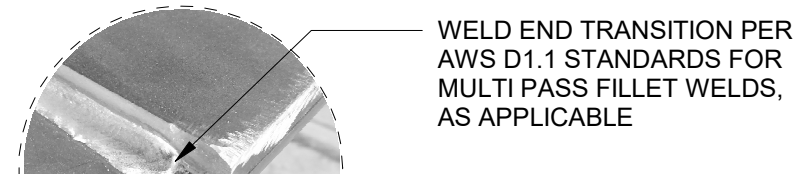
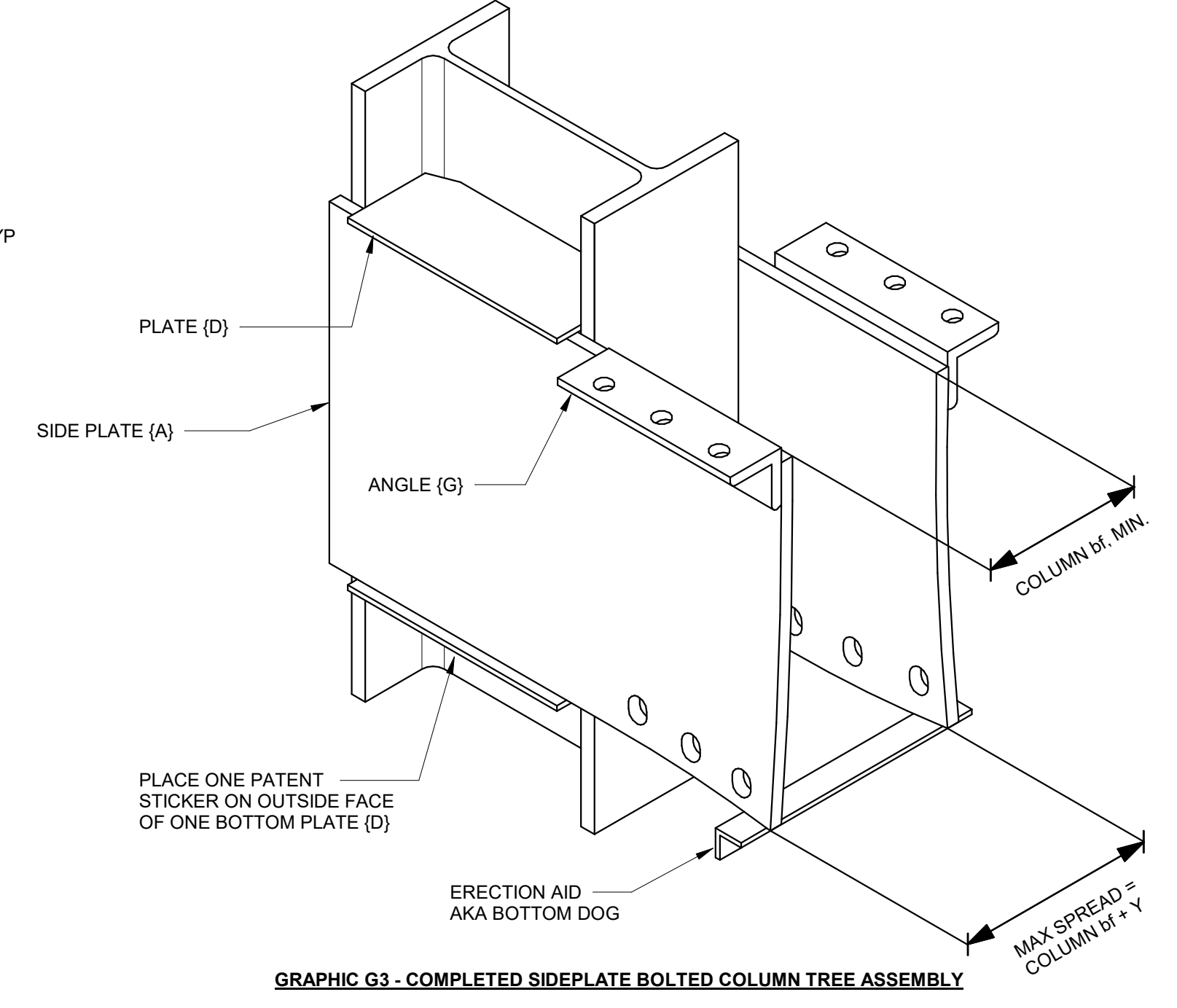


SECTION D-D



SECTION B-B

SIDEPLATE - COLUMN					
SHIP	QUAN.		LENGTH		STEEL
MARK	TOTAL	DESCRIPTION	FT	IN	GRADE
SP100C	1	W12x65	24	4 1/2	A992
a110	4	L4x4x3/4	1	1 1/2	A572-50 OR A36 (F _y =50ksi)
a115	2	L5X5X5/16 (DECK SUPPORT)	1	6	a36
p105	2	PL3/4X28 1/8	3	7 1/8	A572-50
p106	2	PL3/4X23 5/8	3	7 1/8	A572-50
p107	8	PL3/8X7 3/8	0	10 5/8	A572-50
P115	1	PL3/8X3 1/2 (SHEAR TAB)	2	0	A572-50



GRAPHIC "G1" TYPICAL WELD HOLDBACK

INTELLECTUAL PROPERTY RIGHTS NOTICE
 The SIDEPLATE® steel frame connection system is covered by one or more of U.S. Pat. Nos. 6,138,427; 6,516,583; 6,591,573; 7,178,296; 8,122,671; 8,122,672; 8,146,322; 8,176,706; 8,205,408; and 9,091,065 and foreign counterparts.
 Other U.S. and foreign applications pending.

SIDEPLATE® is a registered trademark of MiTek Holdings, Inc., an affiliate of SidePlate Systems, Inc.
 Copyright © 2019 SidePlate Systems, Inc. All rights reserved. Without limitation, this drawing and the information hereon may be used only following payment of a license fee to SidePlate Systems, Inc. and for the design, construction, operation, repair, maintenance, restoration or demolition of the building(s) specifically identified.

v17.05.02 DMF EXHIBIT

SIDEPLATE
 POWERED BY MiTek

SidePlate Systems, Inc.
 25909 Pala, Suite 200
 Mission Viejo, CA 92691

DATE
09.27.2019

SHEET TITLE
SIDEPLATE COLUMN

SP001C